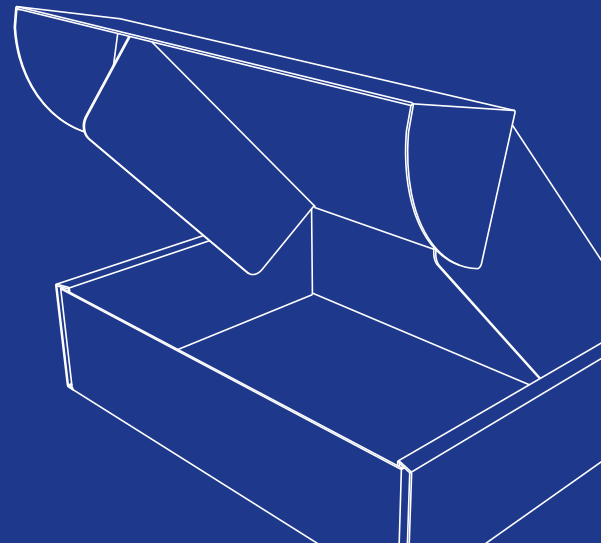
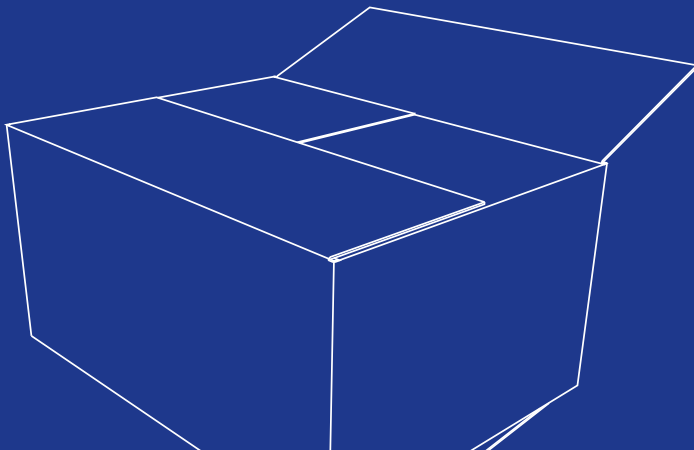
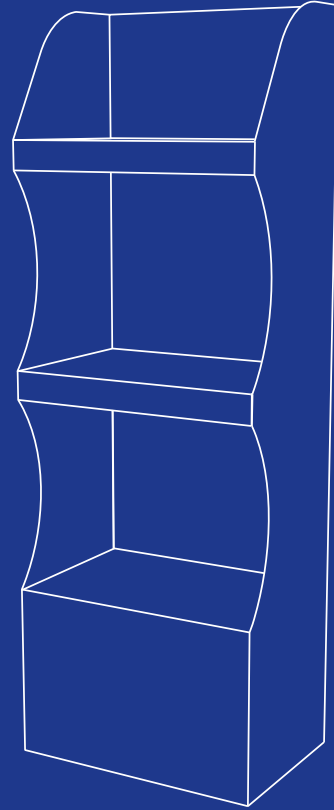
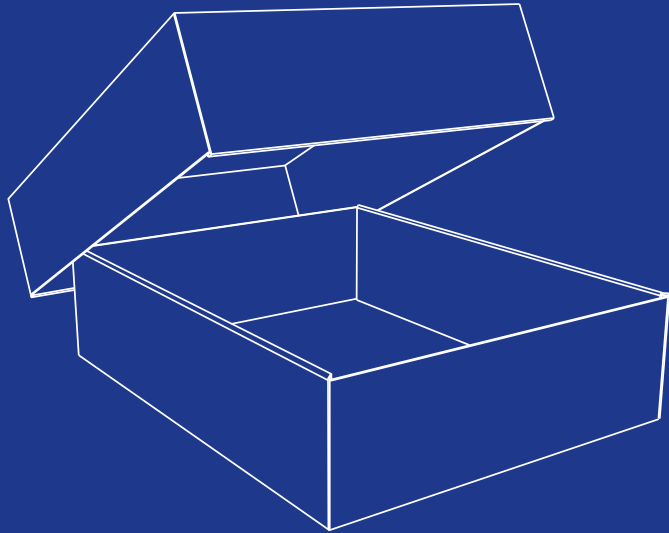
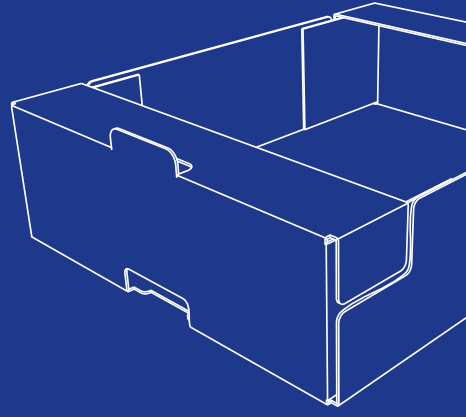


BARIŞ PACKAGING BOX MODELS AND CODES



BARIŞ PACKAGING code, corrugated cardboard and cardboard packaging designs
It is a system for classification.
A code number for each design, simplifying the identification process
Includes designs of the most common box types attached.



Factory - Firuzköy Mh. Bağlarıçı Cd.
No:73 Avcılar - İstanbul -Türkiye
Tel : +90 212 444 89 40
Faks: +90 212 612 01 62
e-mail: info@kutucum.com
www.kutucum.com

CONTENT

Design style library for corrugated board products	3
List of NEW models	7
B100 Rolls and sheets	8
B200 Slotted boxes	14
B300 Telescopic boxes	29
B400 Folding boxes and trays	40
B500 Slide boxes	73
B600 Rigid boxes	79
B700 Ready glued boxes	85
B800 Retail and e-commerce packaging	102
B900 Interior equipment	122

BARIŞ AMBALAJ Corrugated Cardboard Box Code

These box codes communicate in different languages for corrugated boxes to avoid confusion when installing developed as a numerical code system.







As corrugated cardboard boxes are constantly evolving, it is impossible to describe in this catalogue. With custom designs to meet specific requirements together other designs are always possible.

Dimensions L, W, H and v are in every description of the box structure indicated, on some models the numerical value of W may exceed the numerical value of L. Standard climatic conditions (23±∞C and 50% RH according to EN 20187 standard), crease considering the thickness of the material on the straight space from the center.

For cases with overlapping outer flaps the length of the area of overlapping (o) should be given as a fourth measurement after an oblique stroke, e.t.c.

355 x 205 x 120/40 mm
(L) (W) (H) (o)

IN DRAWINGS AND COMPUTER SYSTEMS SYMBOLS USED

DRAWING SYMBOL CUTTINGS, SCORES, PERFORATED ETC.	DESCRIPTION
	contours of erected cases or cutting lines of case blanks
	crease lines
	partial cut lines
	perforation lines
	tape lines
	tearaway lines

BOX SIZES

All dimensions are expressed as internal dimensions in mm as follows:

Length (L) x Width (W) x Height (H)

- Length (L)** : Longer dimension at the opening
- Width (W)** : Shorter dimension at the opening
- Height (H)** : Dimension from the top of the opening to the base
- Variable (v)** : A variable dimension defined by the design attributes

SHEET DIMENSIONS

Unless otherwise specified, the dimensions of a corrugated sheet are expressed in mm as follows:

1st dimension x 2nd dimension
1st dimension - along the flute glue lines
2nd dimension - across the flute glue lines

MODEL VERSIONS

Several types of boxes, necessity to create a new model can have derived versions without. In this case, add a dot to the base model number. must be separated by a suffix.

Example: **B201.2**

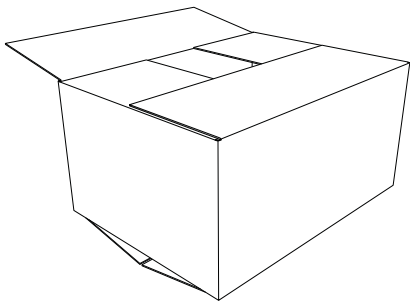
A version may be specific to individual manufacturers.

MODEL AND MANUFACTURER PARTNERSHIP

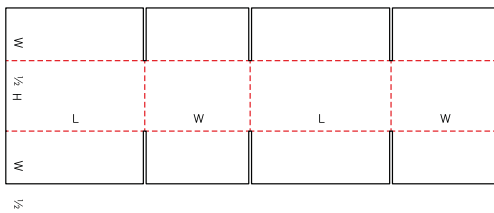
The drawing model layouts shown in this Code are rearrange it depending on the chosen link may be required. Some models are glued, sewn or may have a taped manufacturer's joint. A glued or sewn joint, short or long can have an extension in the panel. Specifying "G" for glued box and "S" for stitched box A standard suffix can be added to the codename for e.g. 0201-Gt

Panel configurations can be visualized in alternative ways to suit production capacity. Joining stitches can be placed on the left or right side of any style, which can be a long or short panel. Any bonding panel can be extended above and/or below the standard depth configuration of a bonding style

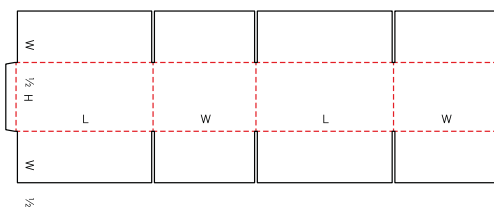
Example: **B201**



Taped joint



Glued or stitched joint



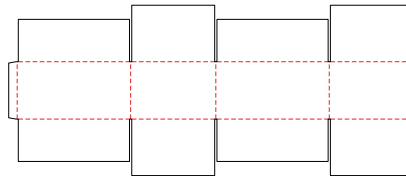
This applies to all designs in the rule.

MODEL COMBINATIONS

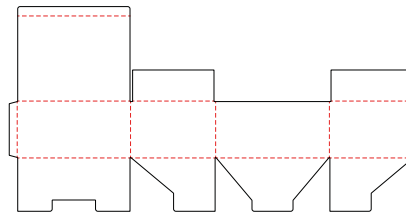
The construction patterns shown are of the basic corrugated box types. The final build is a combination of two or three basic models if, eg. wing arrangements, also as below identifiable:

Top flaps as 204, Botto flaps as B215

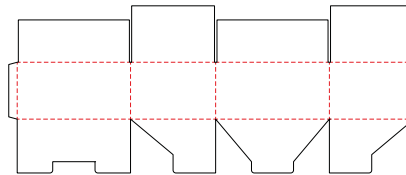
B204



B215



B204/B215



This type may also be described as 0204/0215 (Top falps.Bottom flaps).

MANUAL OR AUTOMATIC ASSEMBLY

Each design style includes one of the following indications:

- M:** usually manual erection
- A:** usually automated erection
- M/A:** can be either manual or automated erection

These indicators are based on current practice and features and additional information for users aims to provide some manually installed boxes can be closed automatically. (for example: B216 or B712).

Description of the base model series

BOX, CAP AND CONTAINER ARE EXCHANGEABLE

GENERAL DESCRIPTION

Please, under a certain number in the Rules also under other basic style series of several box designs Note that it can be classified.

01 - Rolls and sheets

02 -Slotted boxes

Usually glued, sewn or taped joint, made of one piece of cardboard with upper and lower wings corrugated box models. Ships flat, ready to use and must be closed using the flaps provided.

03 - Telescopic boxes

Telescopic boxes usually consist of more than one piece. (e.g. top and bottom) and sit on top of each other.

04 - Folding boxes and trays

Folding boxes and trays usually consist of a single piece of corrugated cardboard. The bottom of the box is hinged from two or all side walls and to the lid. In some designs, locking tabs, handles, display panels, etc. is found. can be included.

05 - Slide boxes

Sliding boxes, several pieces of lining that slide together in different directions and arm. This group is also for other occasions. also includes outer sleeves.

06 - Rigid boxes

Rigid boxes should be sewn or similarly treated before use. It consists of two separate end pieces and a body.

07 - Ready glued boxes

Ready-glued boxes basically consist of one piece. It is shipped ready to use with flat and simple assembly.

08 - Retail and e-commerce packaging

Retail and e-commerce packaging, Point of Sale (POS) It shows typical styles used on screens and in online commerce.

09 -Interior equipment

Inner liners integrated into the box design or in separate parts, pads, partitions, dividers, etc. such as interior equipment. any shown The panel number is optional and can be increased or decreased as needed.

WRITE THE MODEL CODE

FULL CODE: XXXX.XXXX

MODEL XXXX	MODEL VERSION .XXXX
The standard recognised shape/design from this code.	The version number to differentiate the variation from the standard design (corresponding to an individual drawing or CAD/CAM library).

Closing the boxes

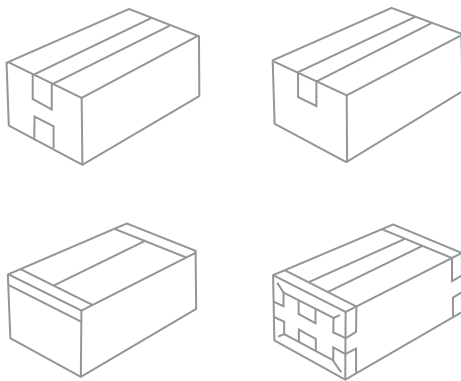
Closing the packaging correctly and effectively, as important as the packaging structure itself.

The following shutdown methods stand alone or possible in combination:

- by gluing, (cold or hot glue)
- by taping
- by interlocking
- by sewing (saddle stitching)

TAPE CLOSING

This can be done according to the examples shown.



SEAM CLOSING

This can be done according to the examples shown.



Coding of interior fitments

The following range of interior equipment is used any shape depending on the number of panels in combination (for computer systems) can be coded.

NUMBER OF PANELS		CODE
2	>	B982
3	>	B983
4	>	B984
5	>	B985
6	>	B986
7	>	B987
8	>	B988
9	>	B989
10	>	B990
11	>	B991
12	>	B992
13	>	B993
14	>	B994
15	>	B995
16	>	B996
17	>	B997
18	>	B998
19	>	B999



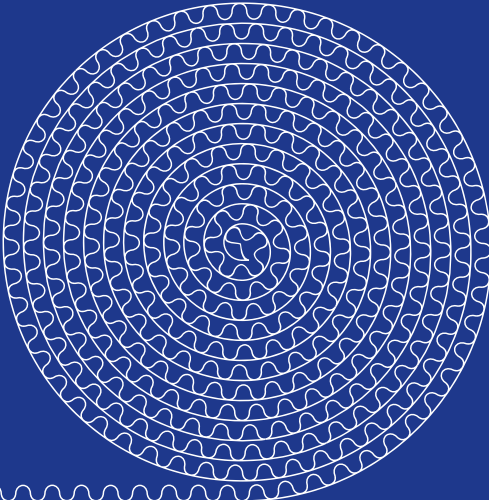
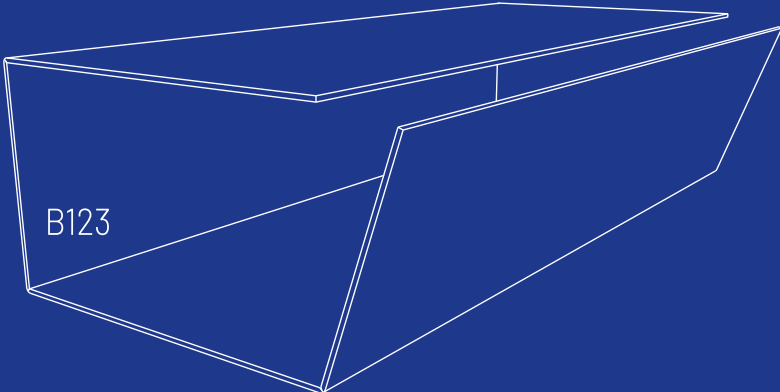
B982/B999
M

List of NEW models

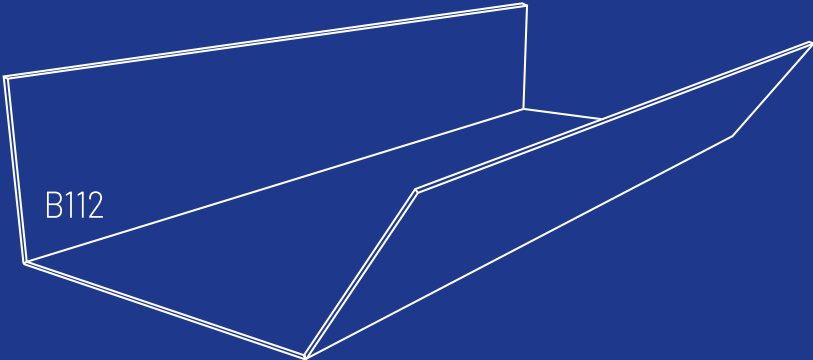
<u>100</u>	<u>200</u>	<u>300</u>	<u>400</u>	<u>700</u>	<u>800</u>	<u>900</u>	
B111	B219	B319	B407	B702	B801	B853	B912
B112	B220	B360	B414	B704	B802	B854	B936
B113	B221		B418	B705	B803	B858	B937
B119	B222		B425.1	B706	B804	B859	B938
B121	B229.1		B427.1	B707	B808	B860	B939
B122	B232		B435.1	B708	B809	B861	B952
B123	B233.1		B436.1	B709	B815	B865	B953
B129	B233.2		B436.2	B710	B816	B866	B954
B130	B240		B438	B719	B817	B870	B955
	B241		B439	B720	B818	B871	B960
	B242		B449.1	B721	B819	B872	
			B451.1	B722	B825	B873	
			B459.1	B723	B826	B874	
			B461	B724	B830	B880	
			B462	B725	B831	B881	
			B463	B726	B832	B882	
			B464	B727	B833	B885	
			B465	B728	B834	B886	
			B466	B730	B840	B887	
			B469	B740	B841		
			B474		B842		
			B475		B843		
			B476		B845		
			B481		B846		
			B482		B847		
			B483		B848		
			B484		B849		
			B485		B850		
					B851		
					B852		

B100

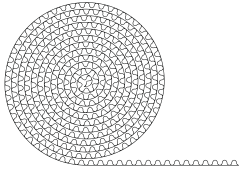
ROLLS AND SHEETS



B100



B100



B110



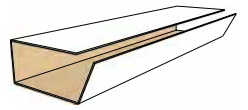
B111



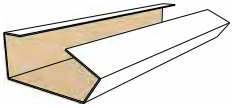
B112



B113



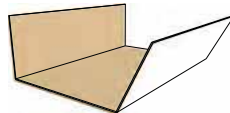
B119



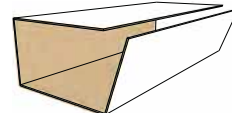
B121



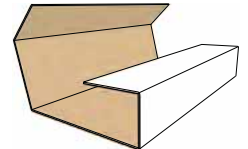
B122



B123



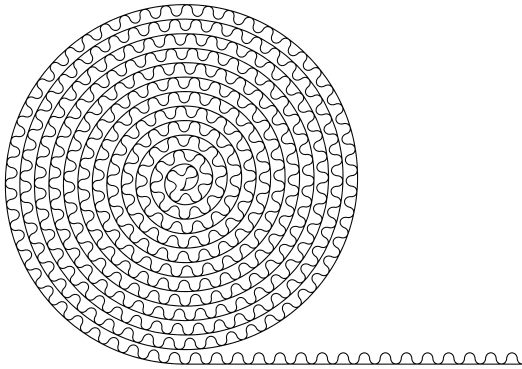
B129



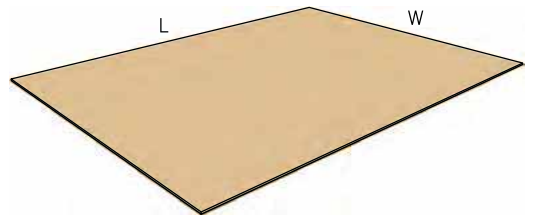
B130



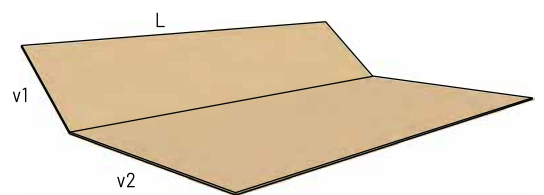
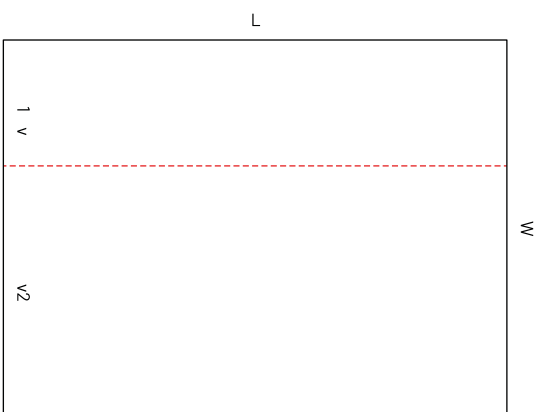
B100



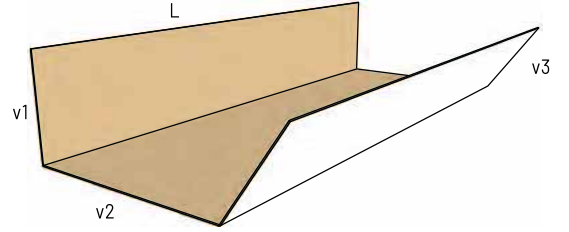
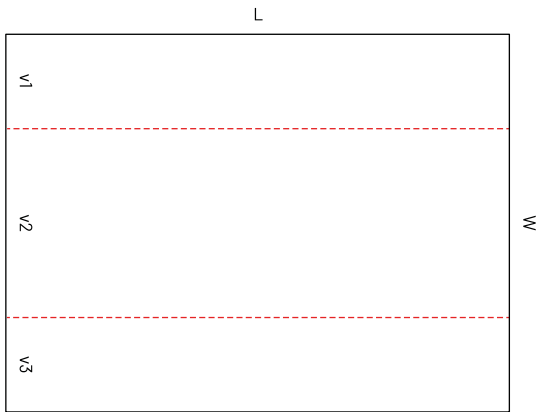
B110



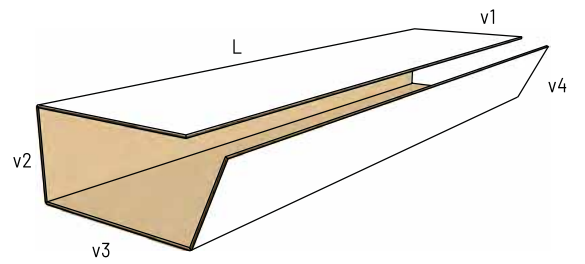
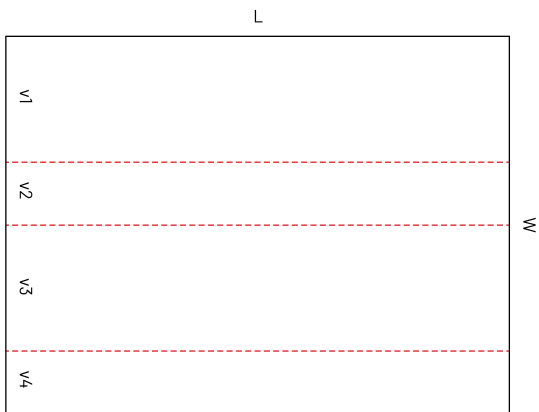
B111



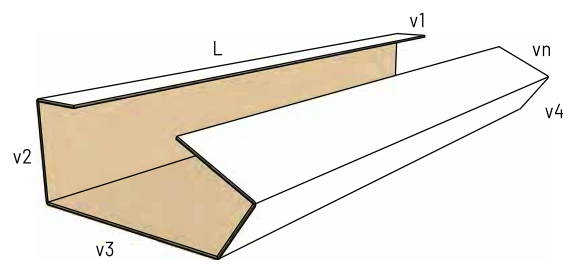
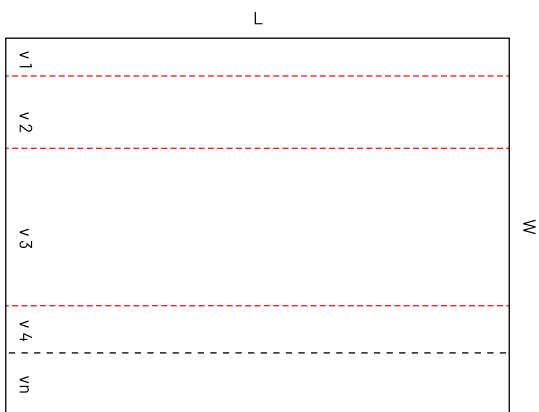
B112



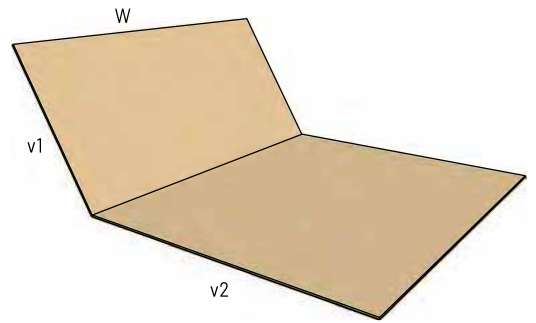
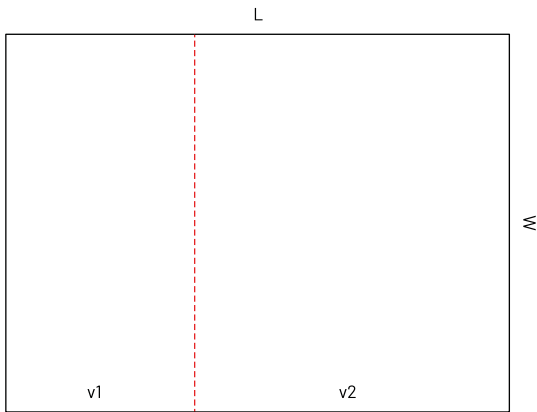
B113



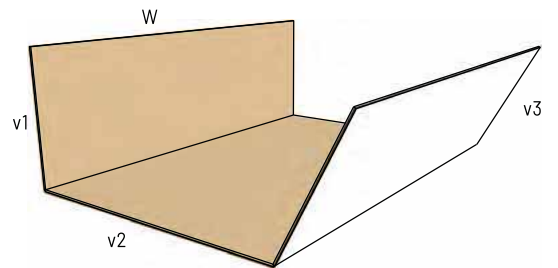
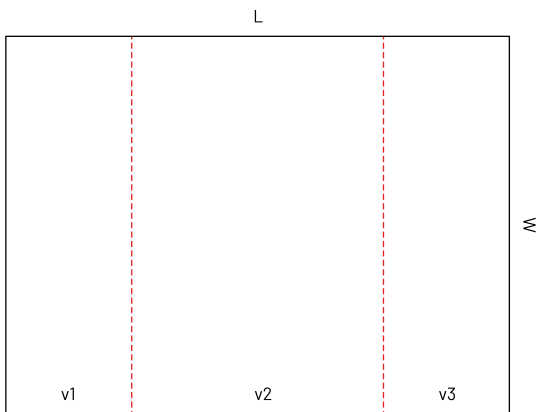
B119



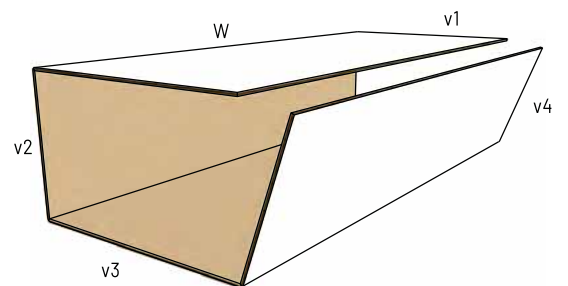
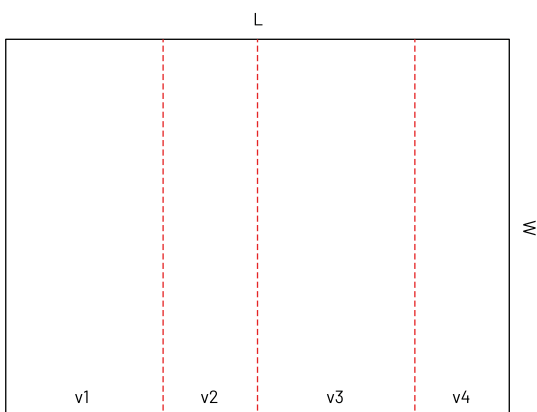
B121



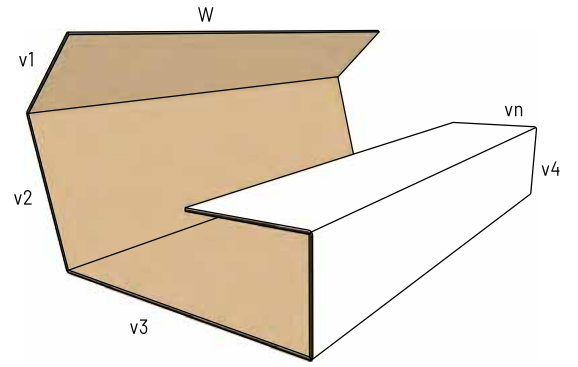
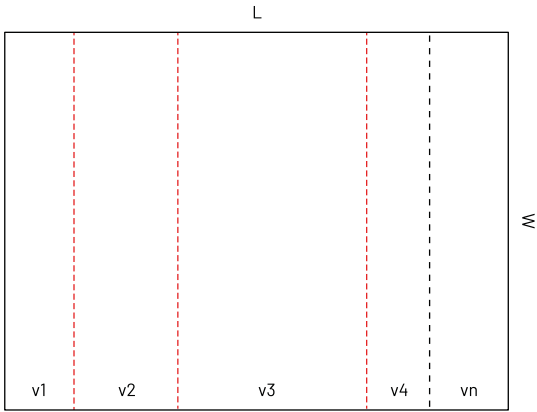
B122



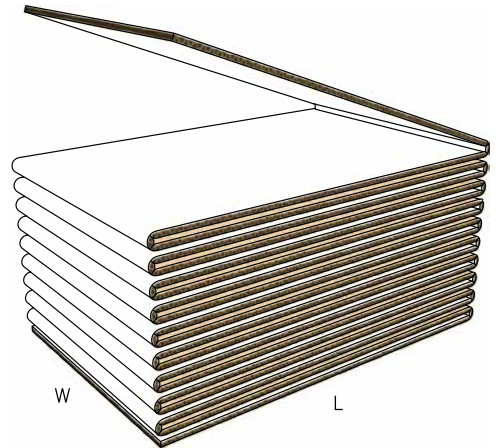
B123



B129



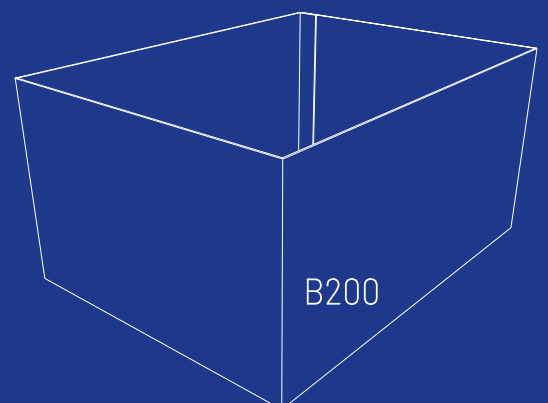
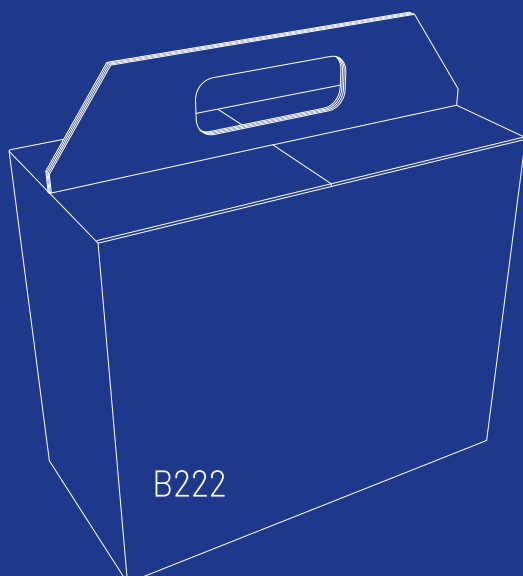
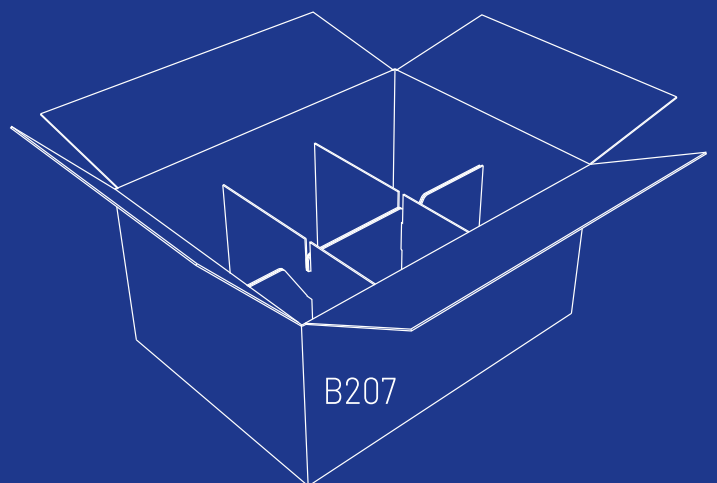
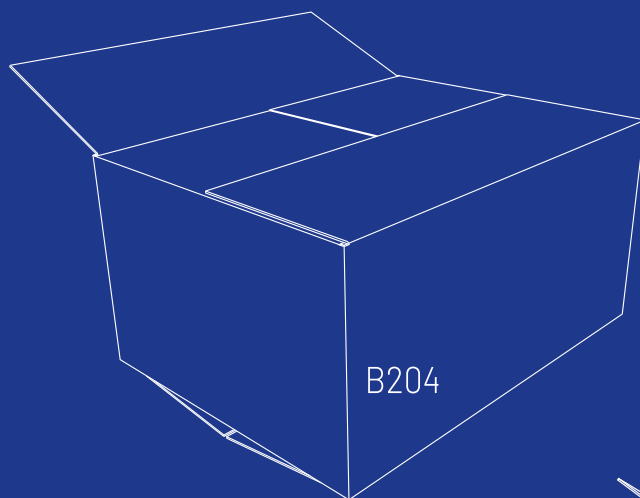
B130



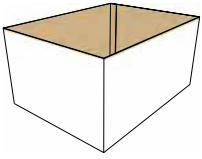
B200

SLOTTED BOXES

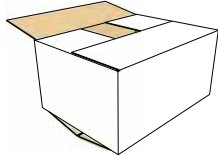
Corrugated boxes are basically glued, sewn or taped
The joint consists of one piece with upper and lower wings.
They are straight, ready to use and shipped with the blades provided.
must be closed using



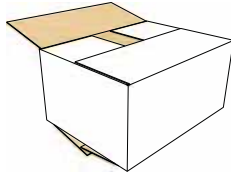
B200 M/A



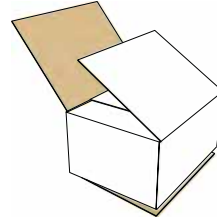
B201 M/A



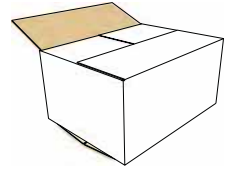
B202 M/A



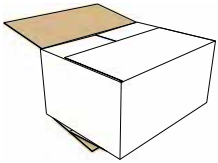
B203 M/A



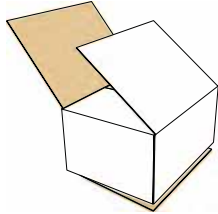
B204 M/A



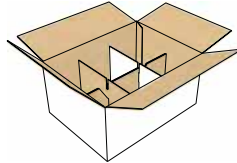
B205 M/A



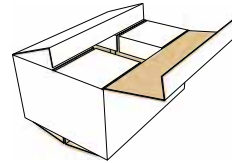
B206 M/A



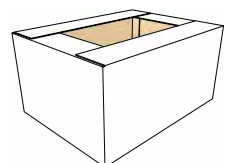
B207 M



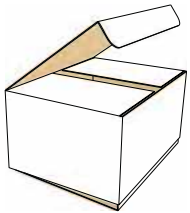
B208 M



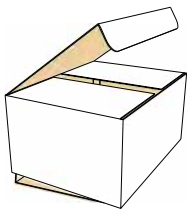
B209 M/A



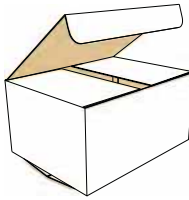
B210 M



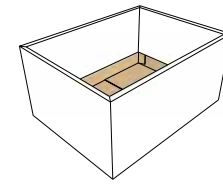
B211 M



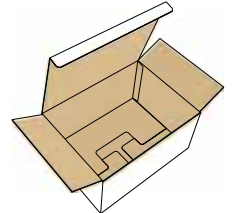
B212 M/A



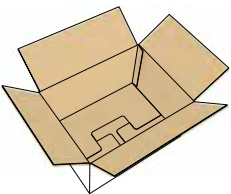
B214 M



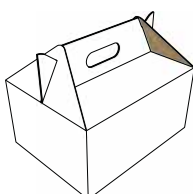
B215 M



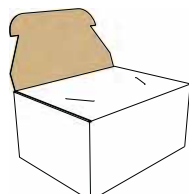
B216 M



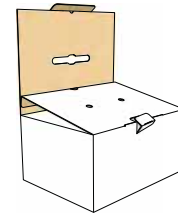
B217 M



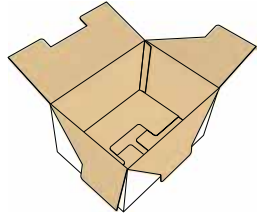
B218 M



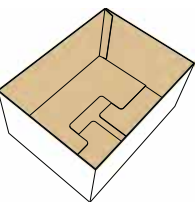
B219 M



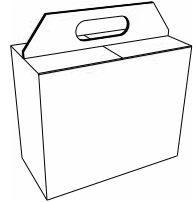
B220 M



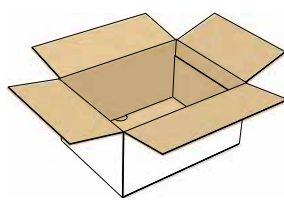
B221 M



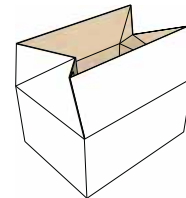
B222 M



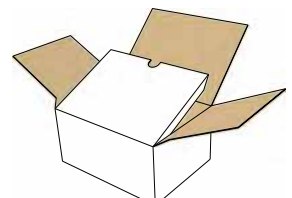
B225 M



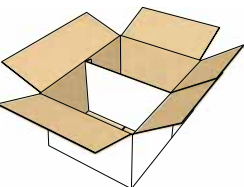
B226 M



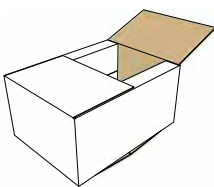
B227 M



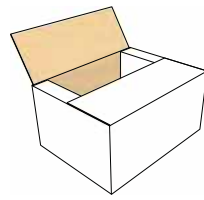
B228 M/A



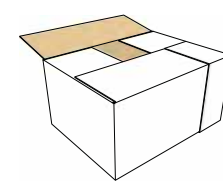
B229 M



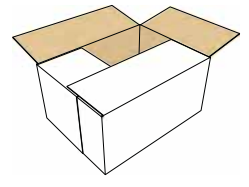
B229.1 M



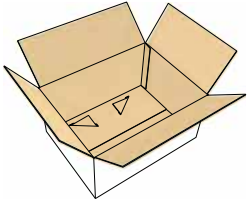
B230 M/A



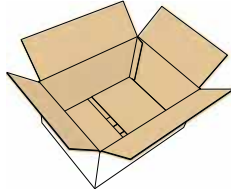
B231 M/A



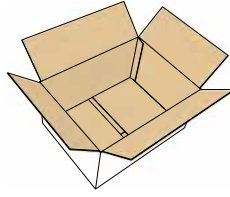
B232 M



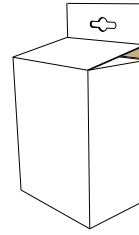
B233.1 M



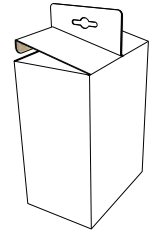
B233.2 M



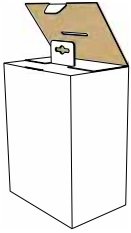
B240 M



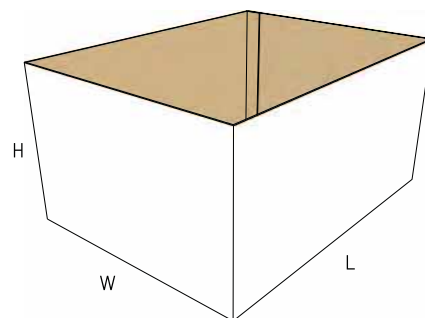
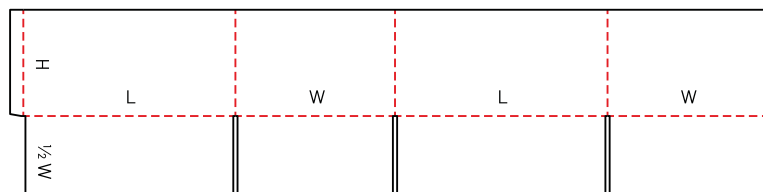
B241 M



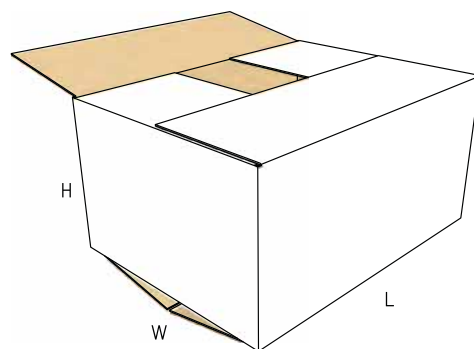
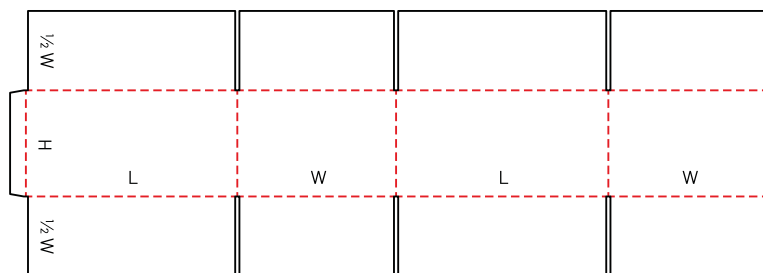
B242 M



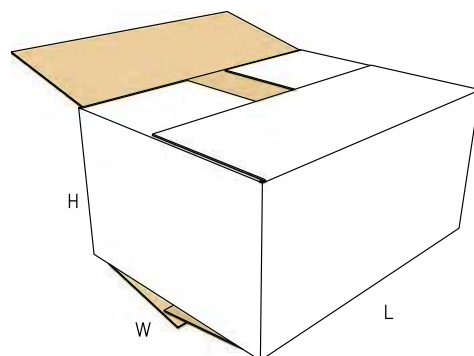
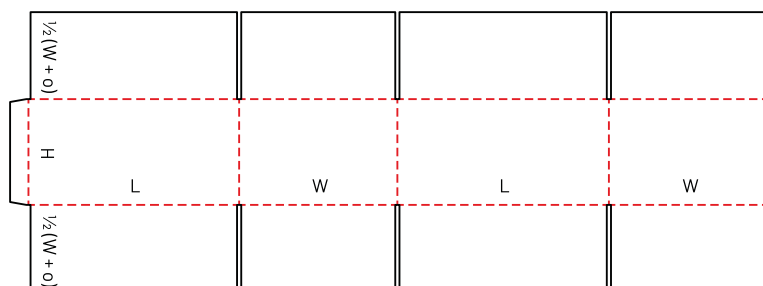
B200 M/A



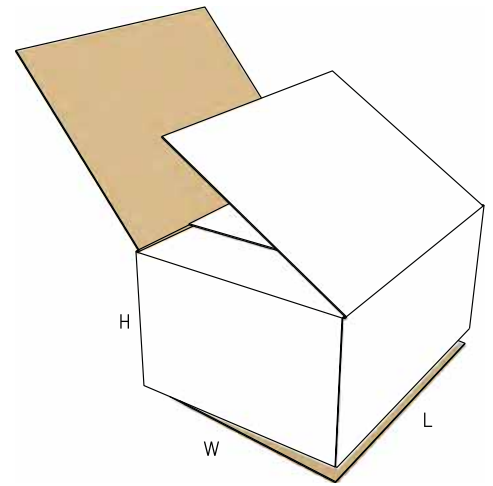
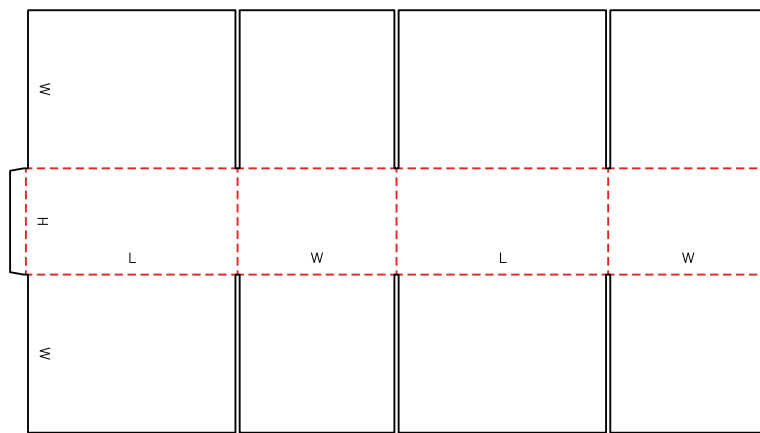
B201 M/A



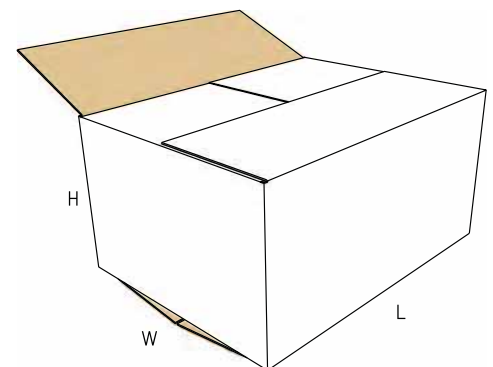
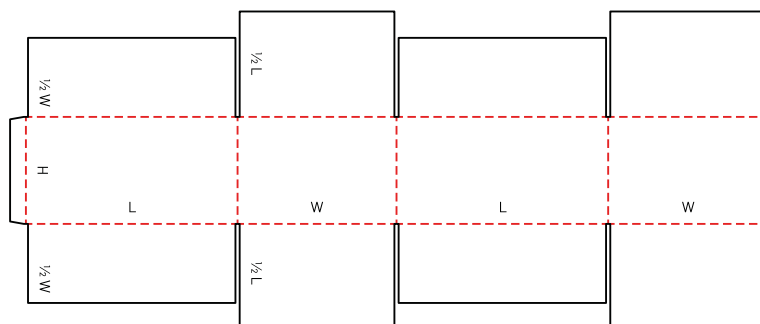
B202 M/A



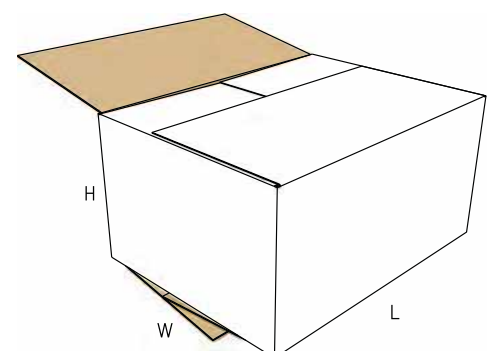
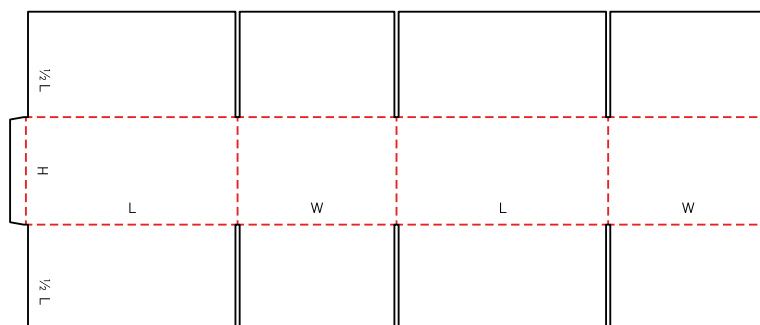
B203 M/A



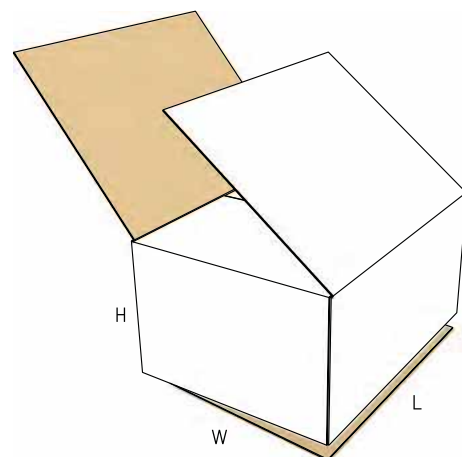
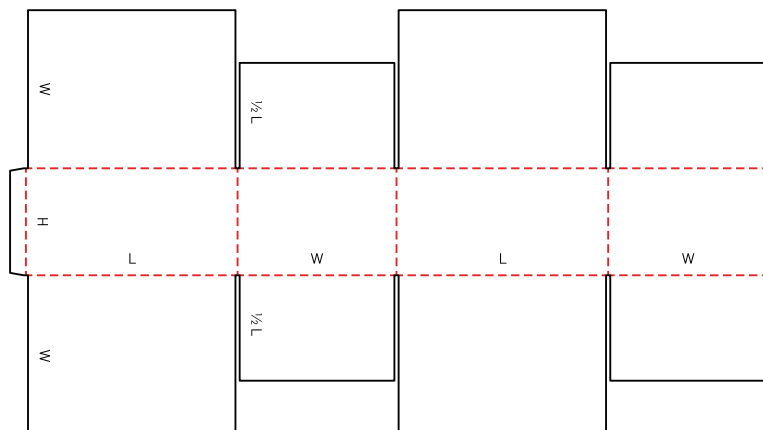
B204 M/A



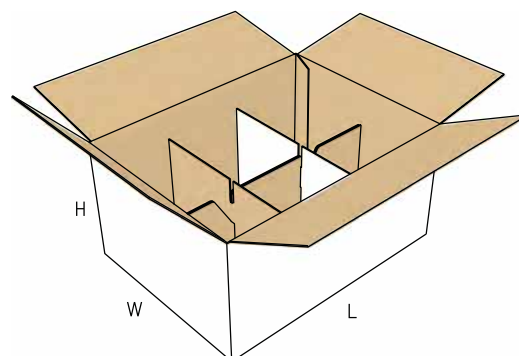
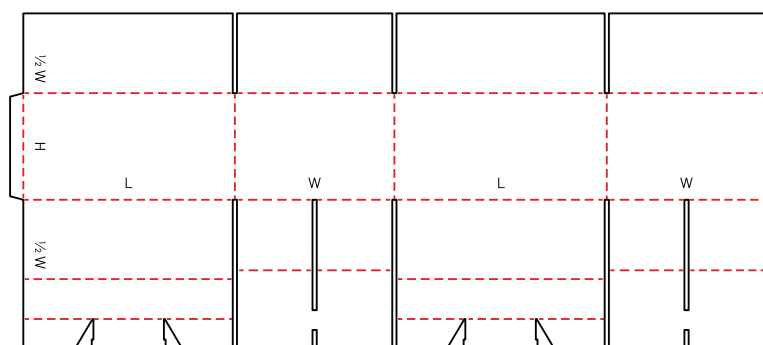
B205 M/A



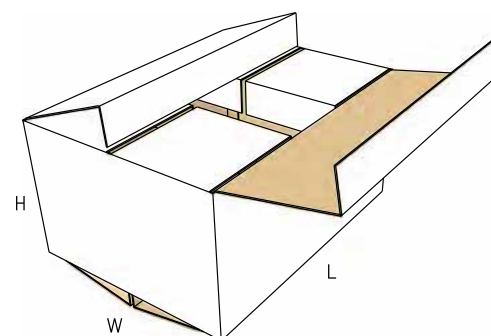
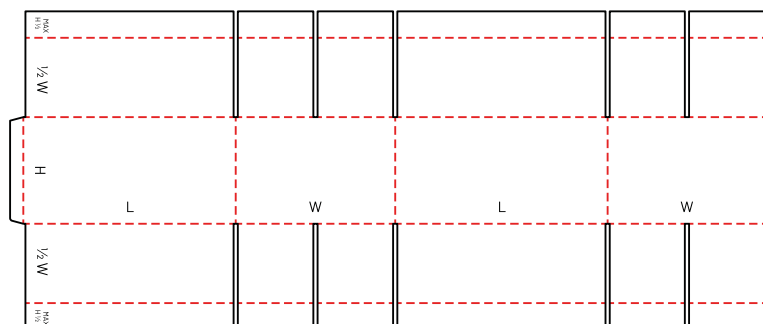
B206 M/A



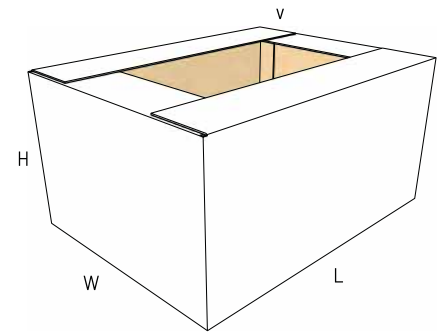
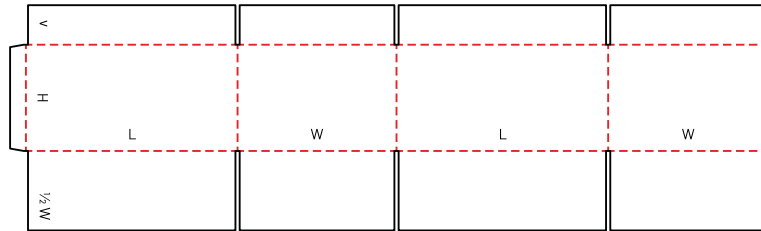
B207 M



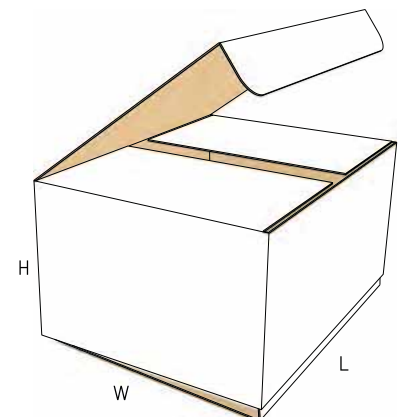
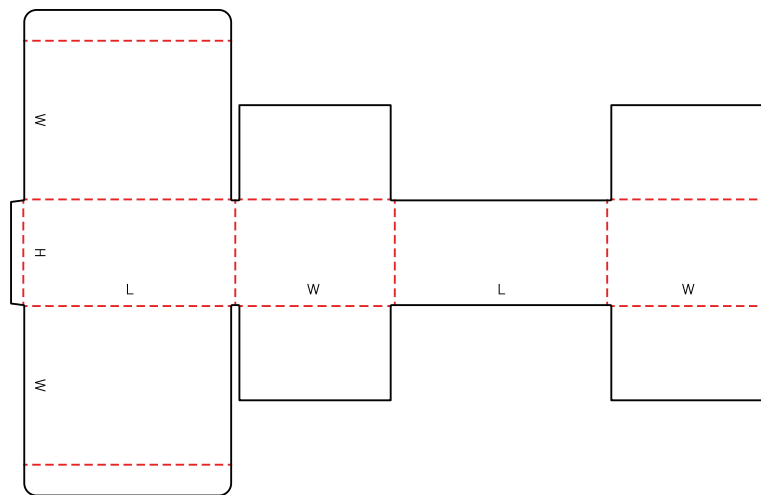
B208 M



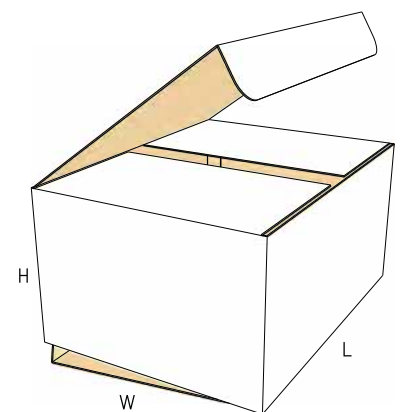
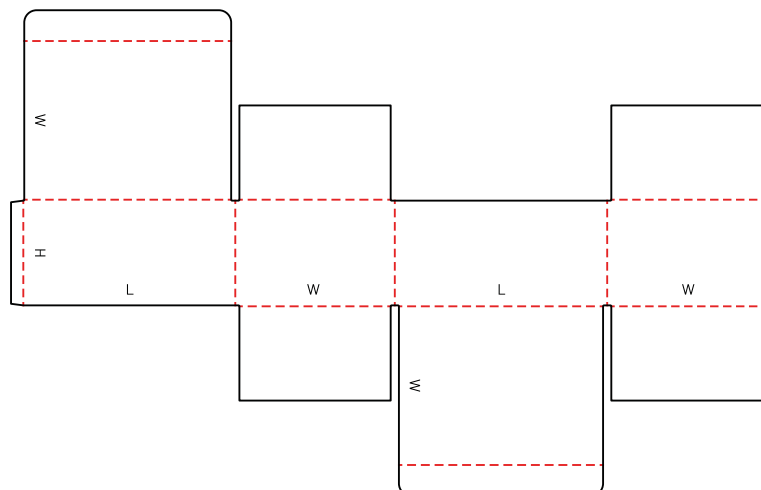
B209 M/A



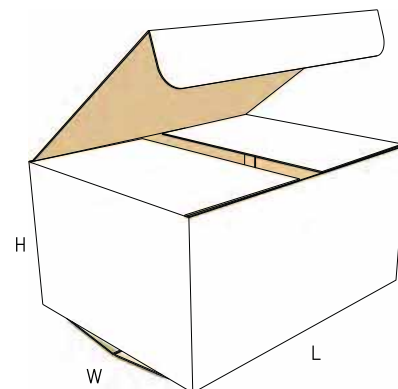
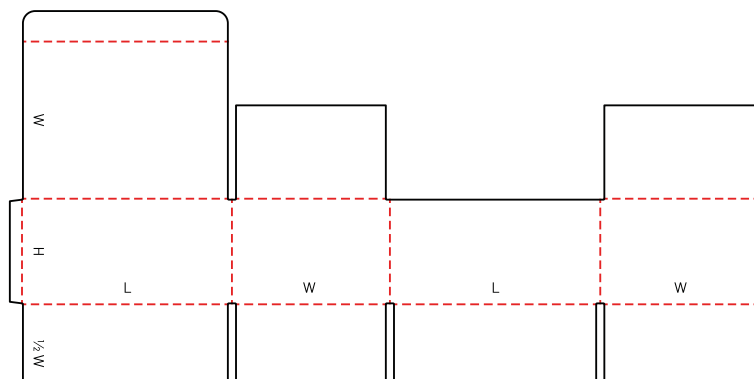
B210 M



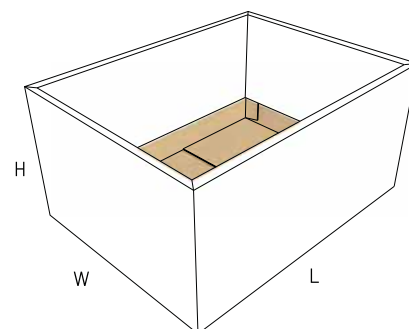
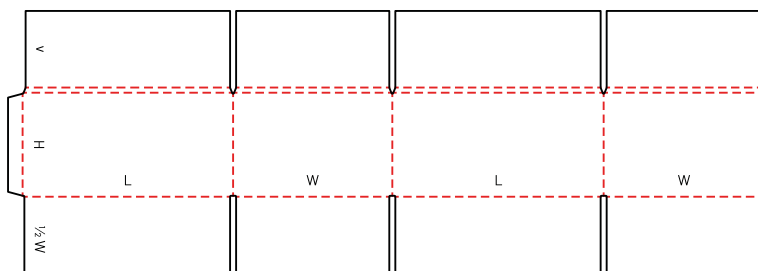
B211 M



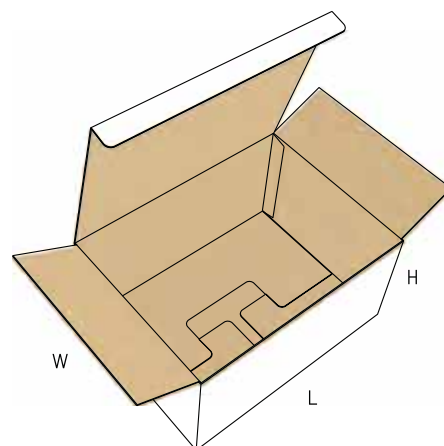
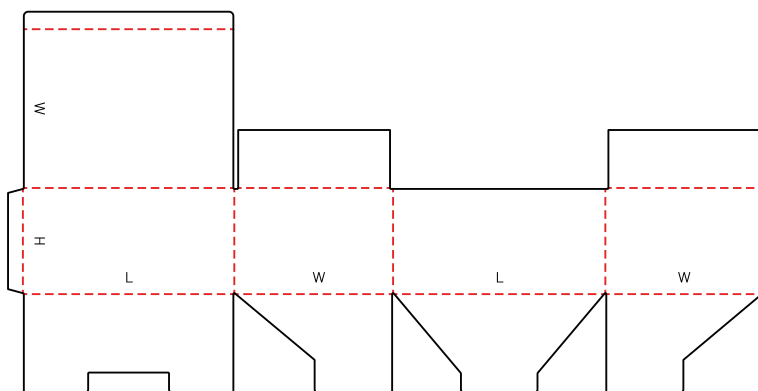
B212 M/A



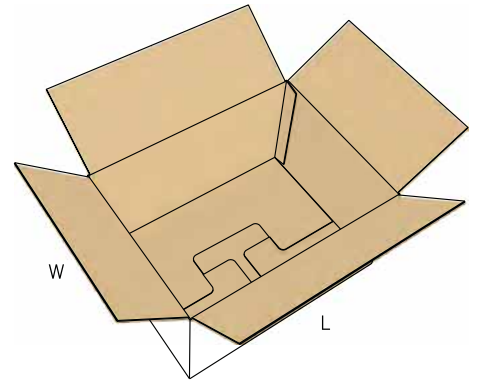
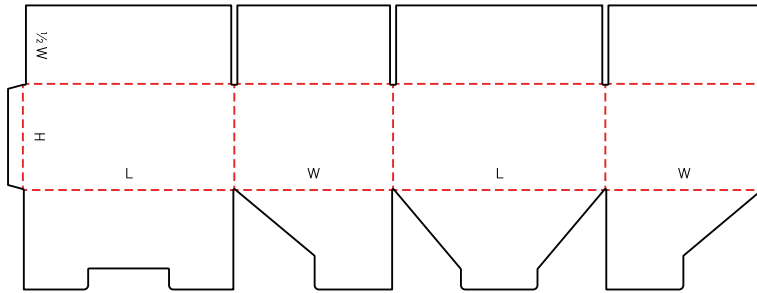
B214 M



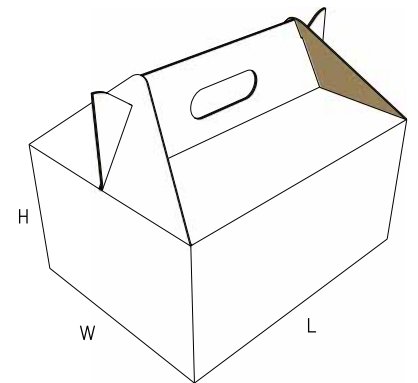
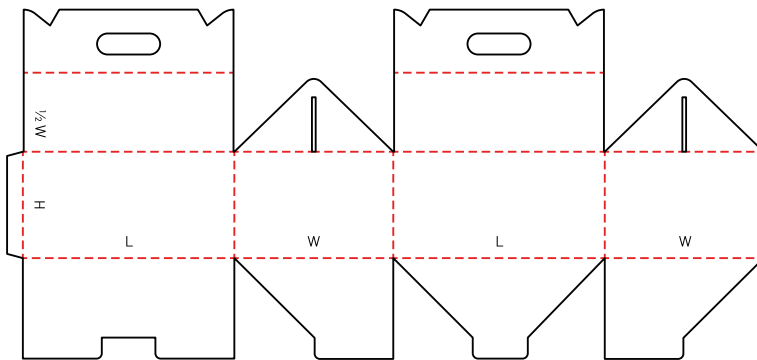
B215 M



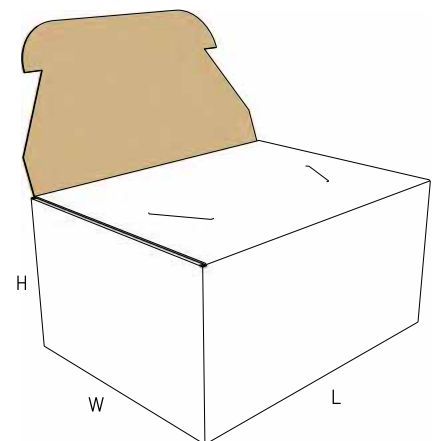
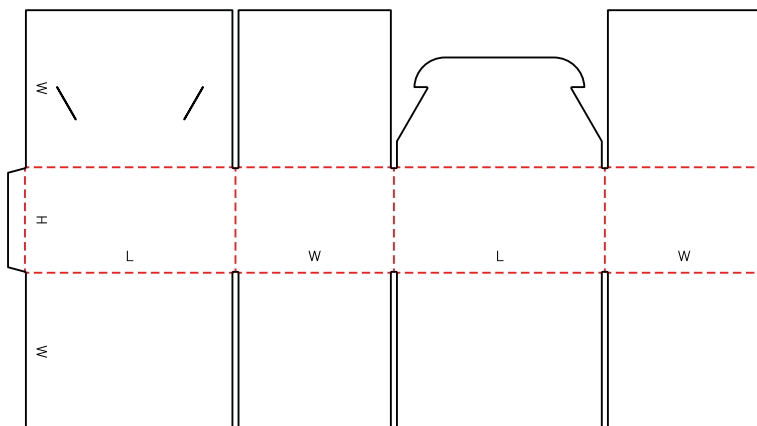
B216 M



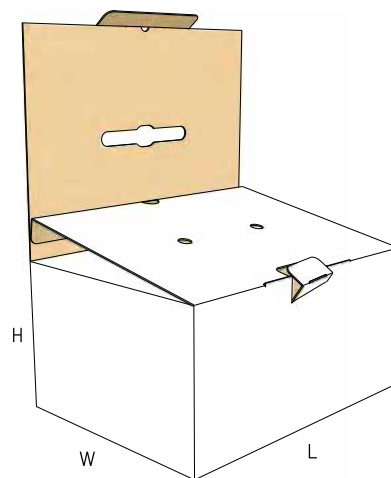
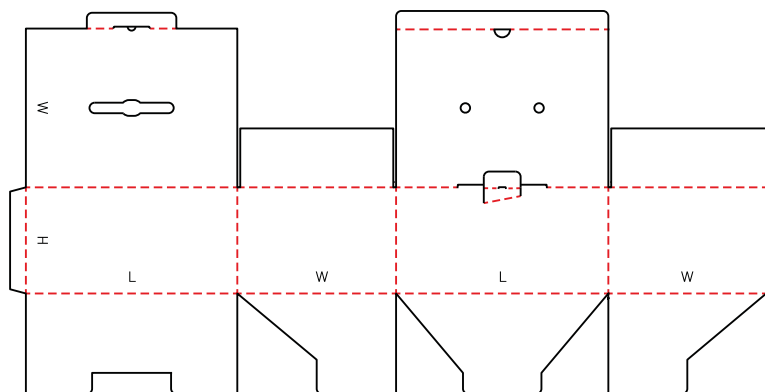
B217 M



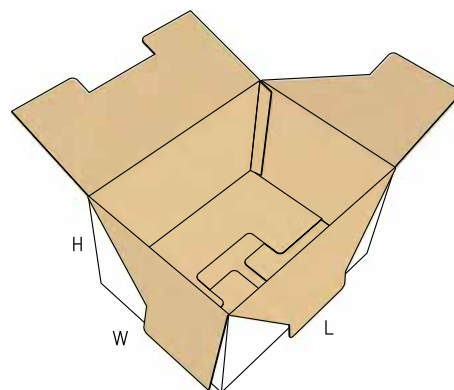
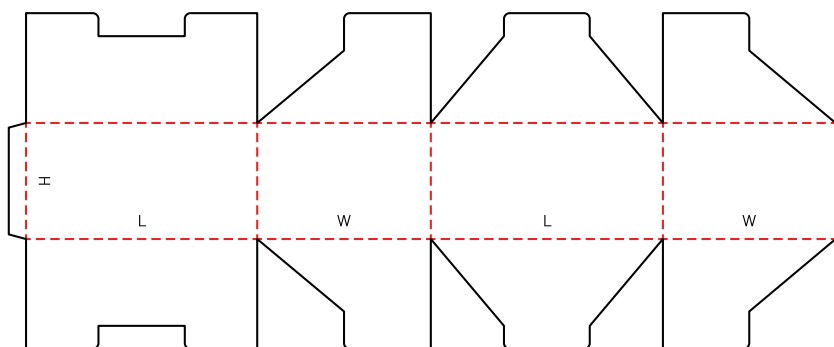
B218 M



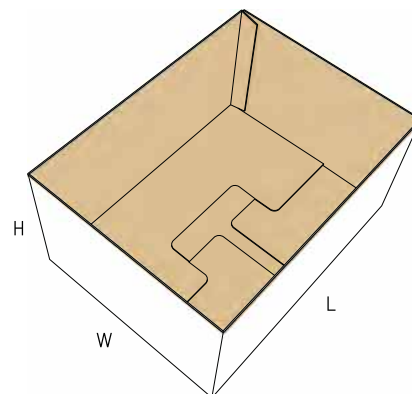
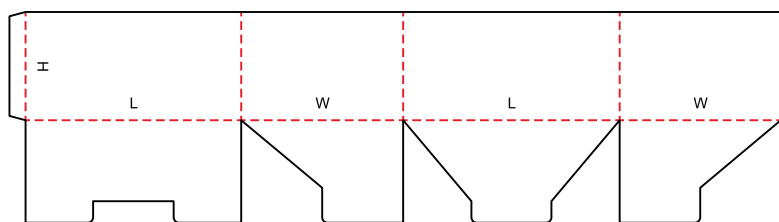
B219 M



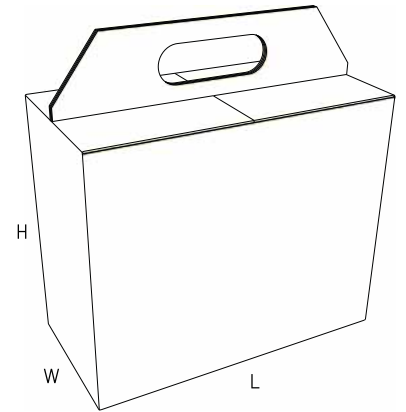
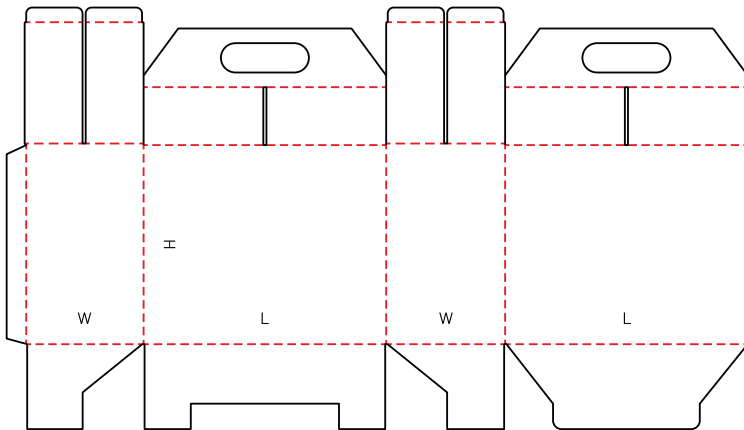
B220 M



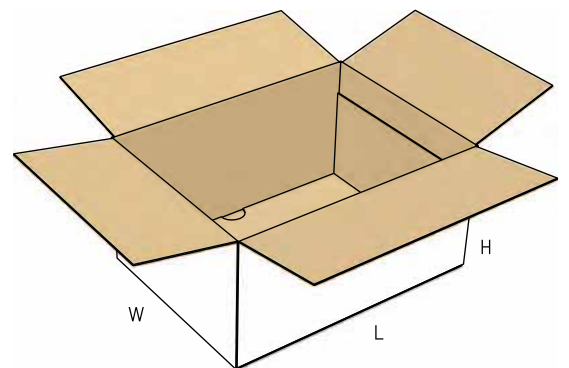
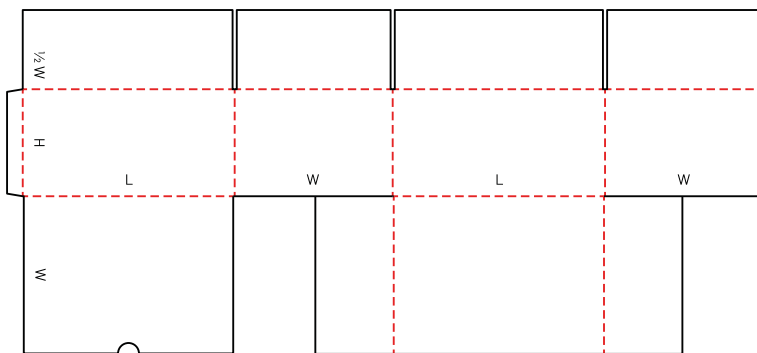
B221 M



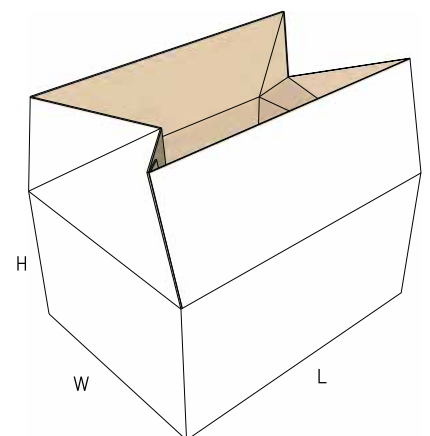
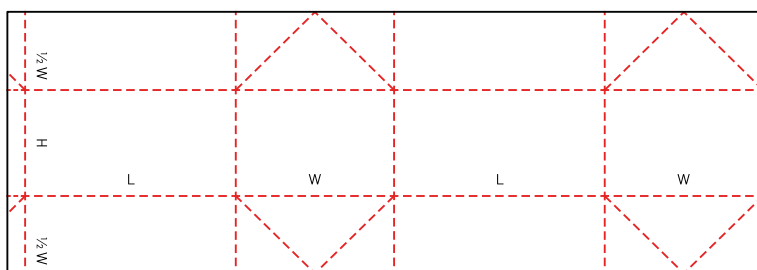
B222 M



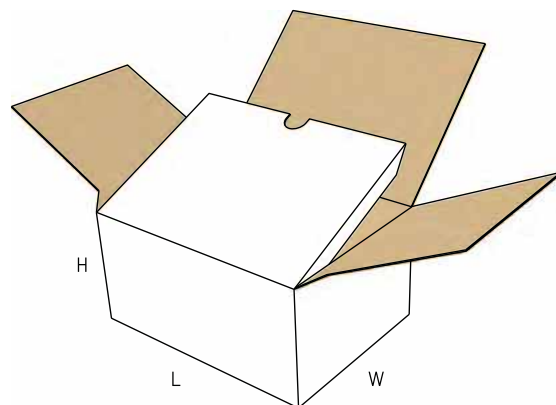
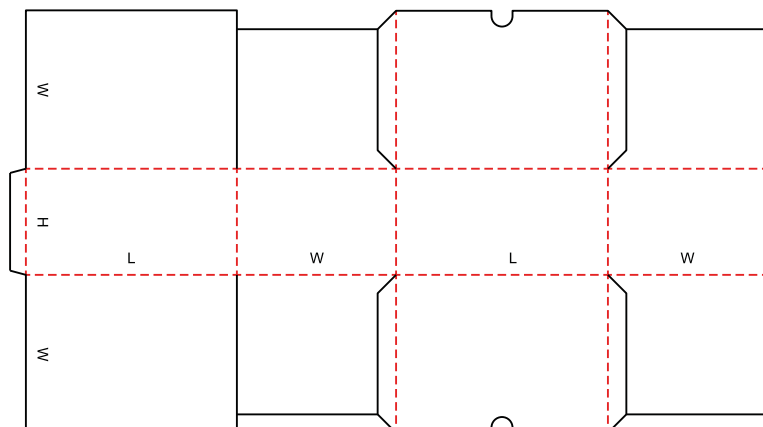
B225 M



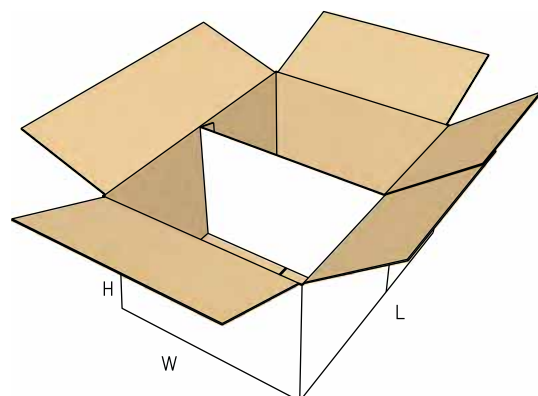
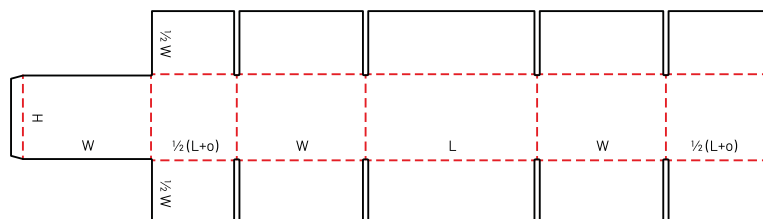
B226 M



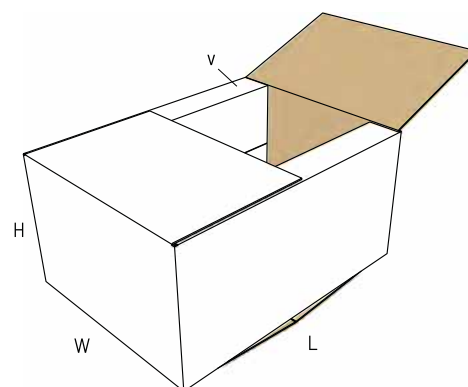
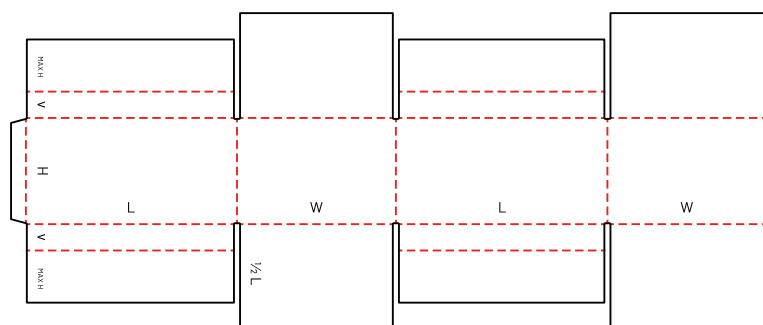
B227 M



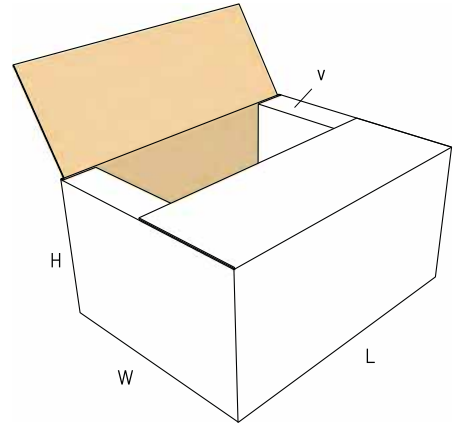
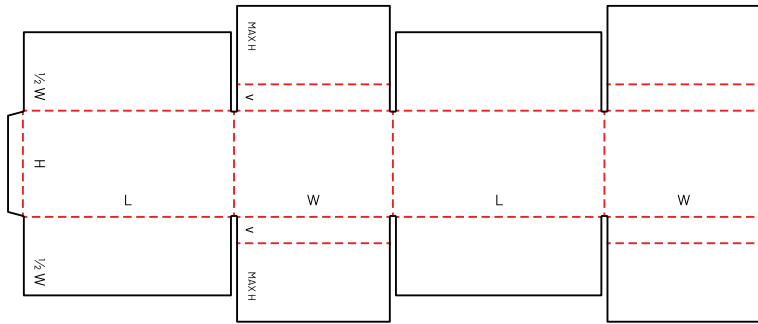
B228 M/A



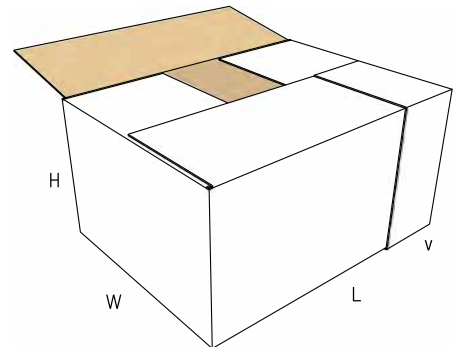
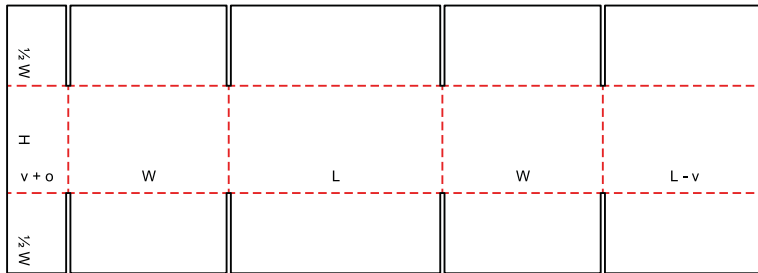
B229 M



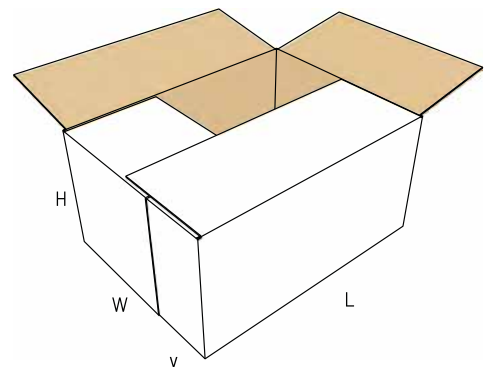
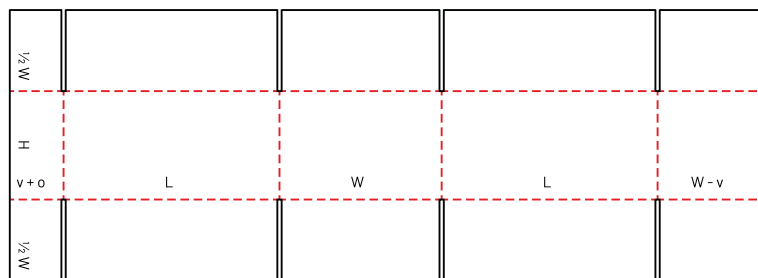
B229.1 M



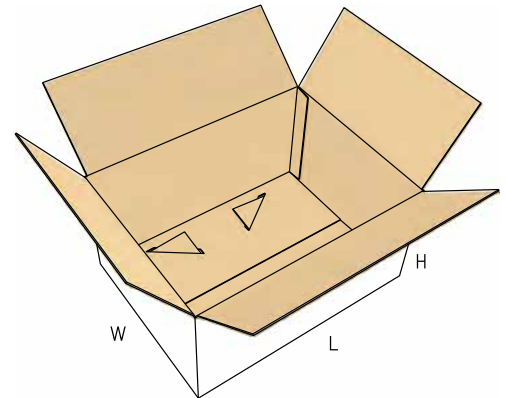
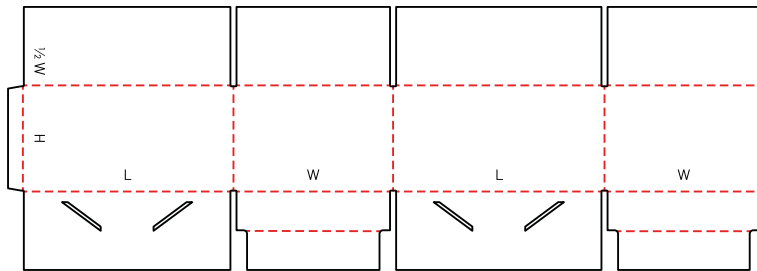
B230 M/A



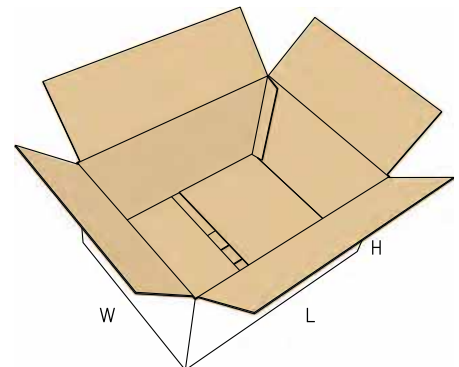
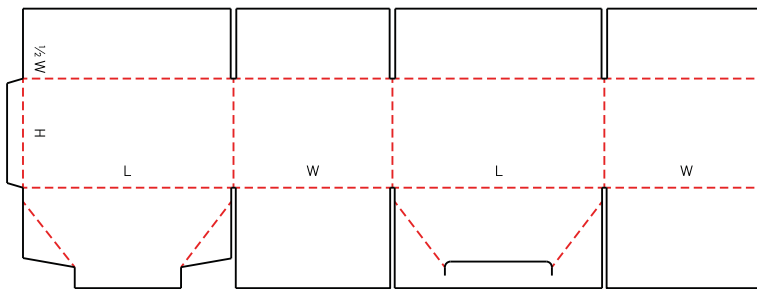
B231 M/A



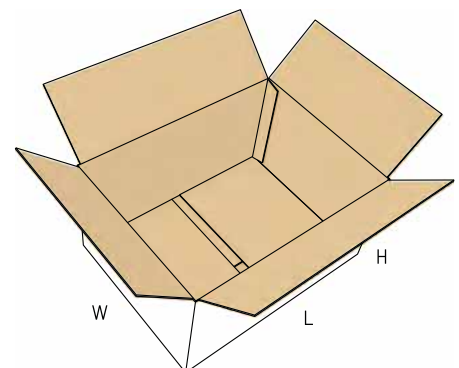
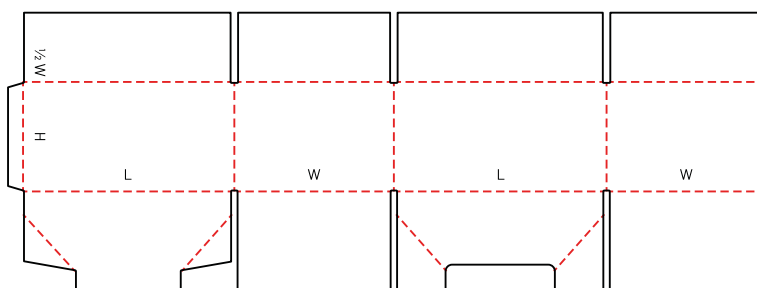
B232 M



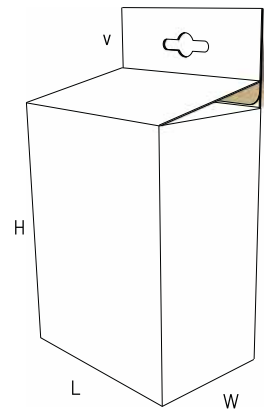
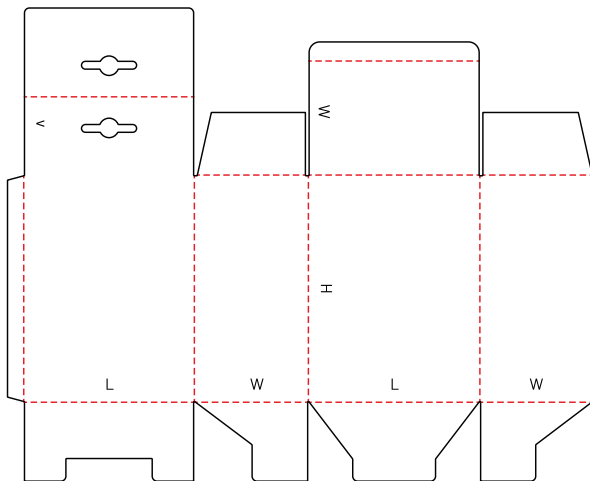
B233.1 M



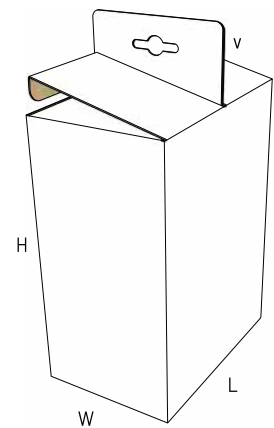
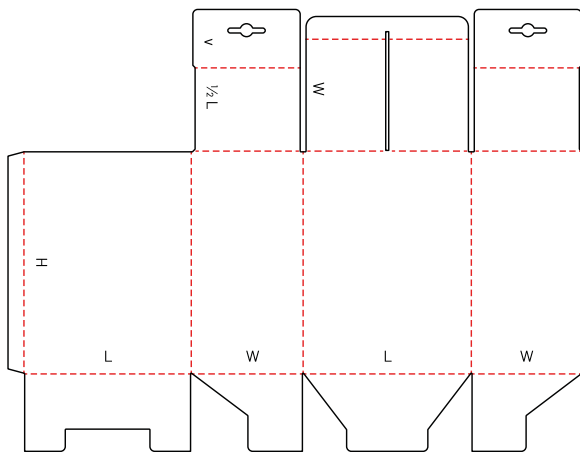
B233.2 M



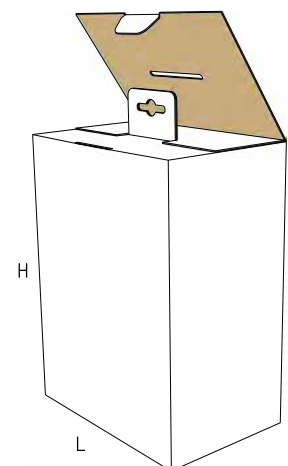
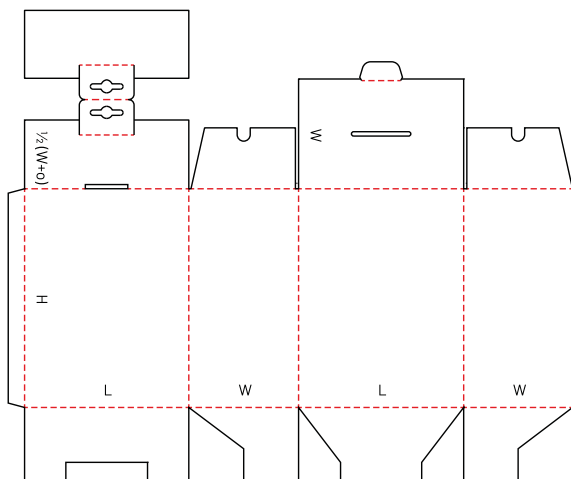
B240 M



B241 M

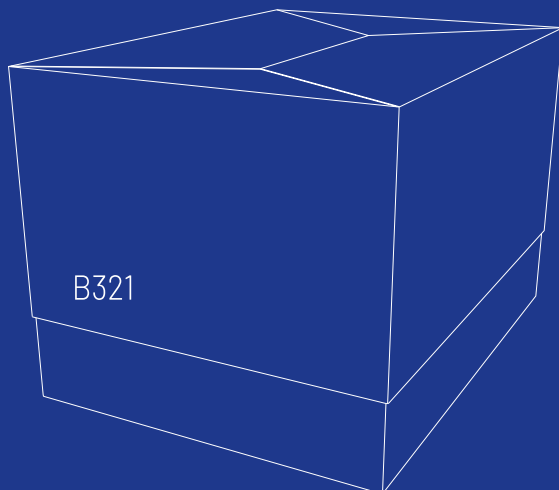
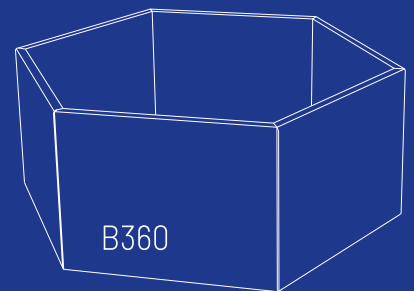
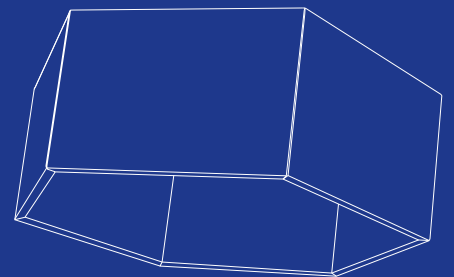
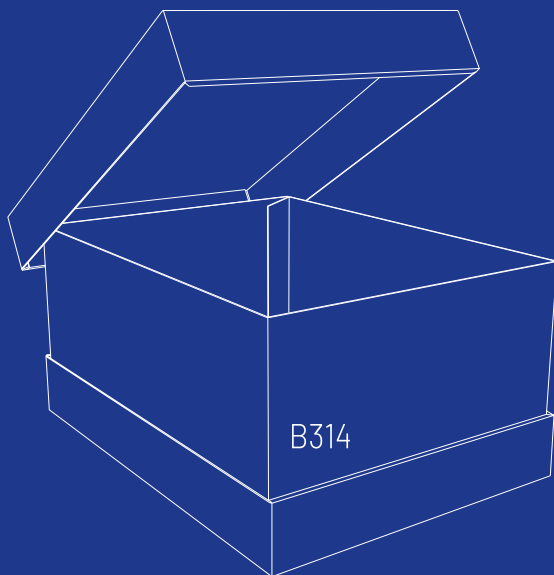


B242 M

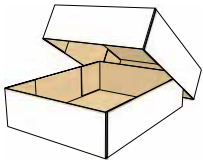


TELESCOPIC BOXES

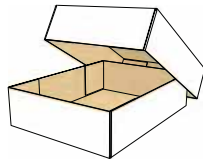
Telescopic boxes consist of multiple parts, in box body with lid and/or bottom telescopic characterized.



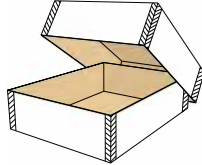
B300 M/A



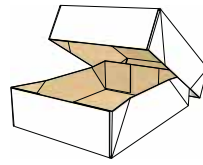
B301 M/A



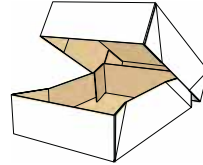
B302 M



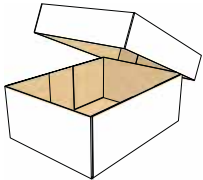
B303 M



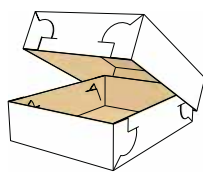
B304 M



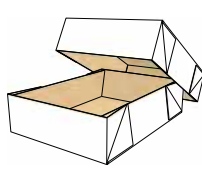
B306 M/A



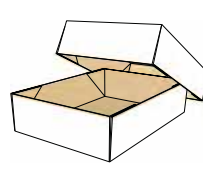
B307 M



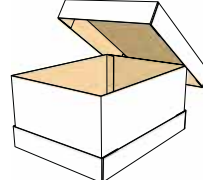
B308 M



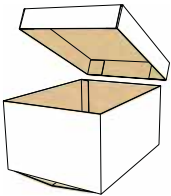
B309 M



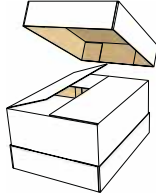
B310 M/A



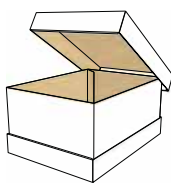
B312 M/A



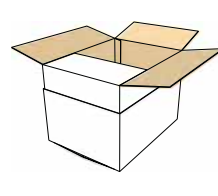
B313 M/A



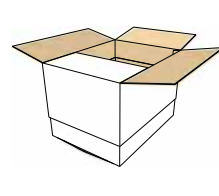
B314 M



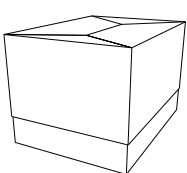
B319 M/A



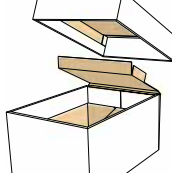
B320 M/A



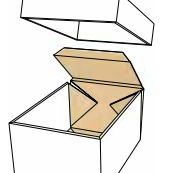
B321 M



B322 M



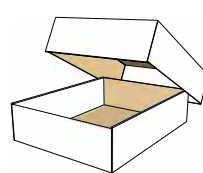
B323 M



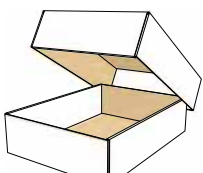
B325 M/A



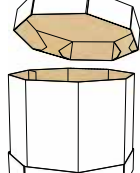
B330 M/A



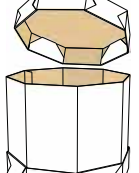
B331 M/A



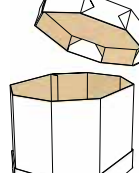
B350 A



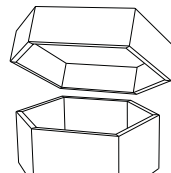
B351 M/A



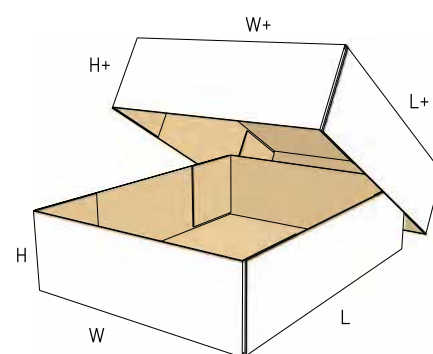
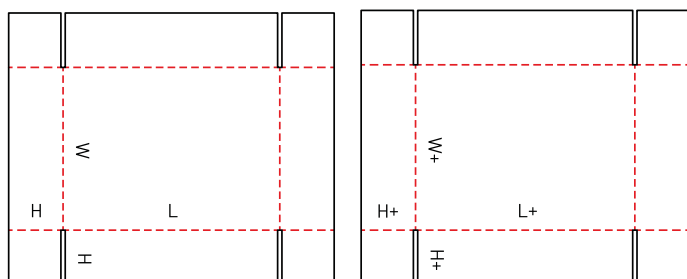
B352 M/A



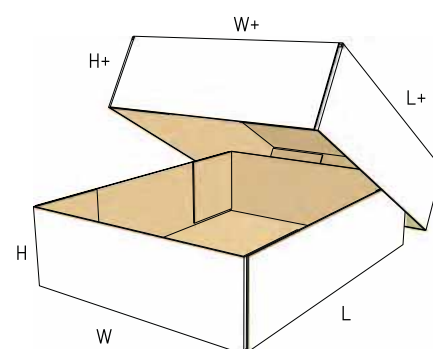
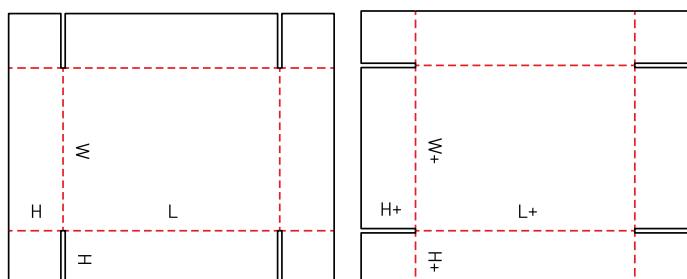
B360 M
NEW



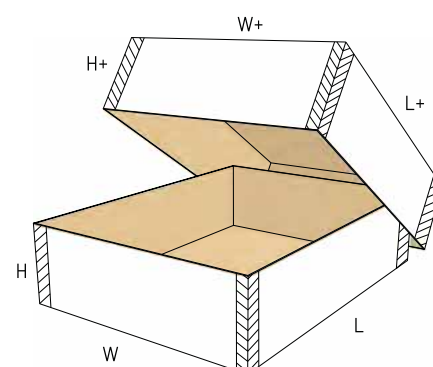
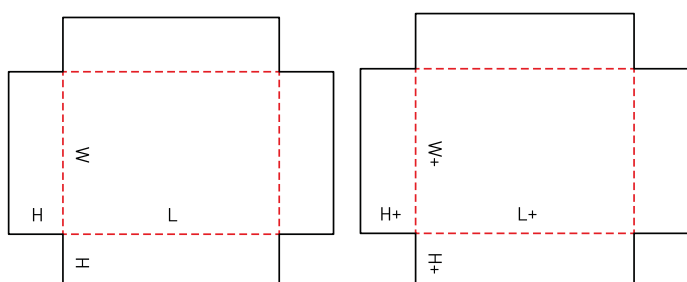
B300 M/A



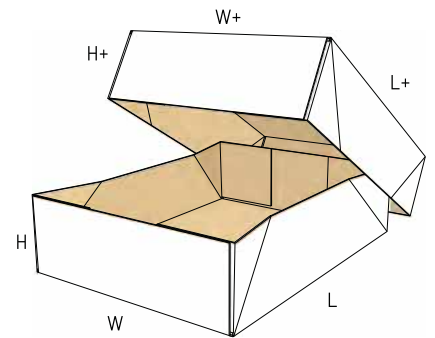
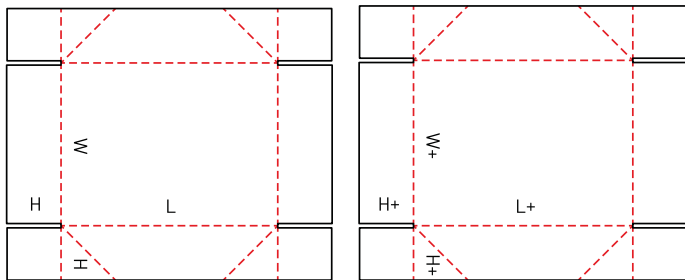
B301 M/A



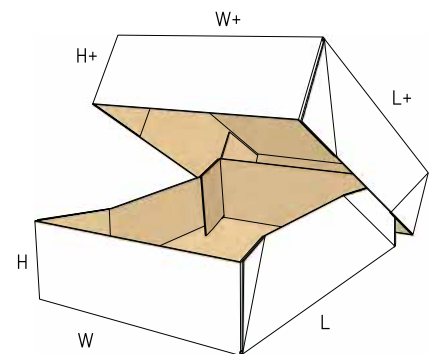
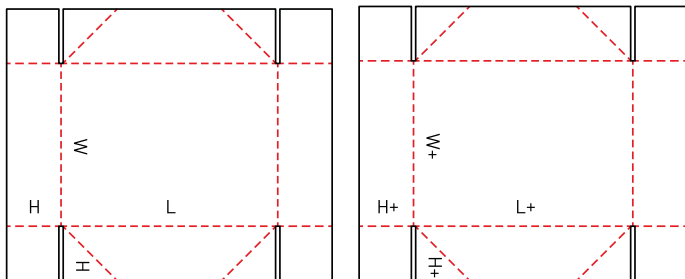
B302 M



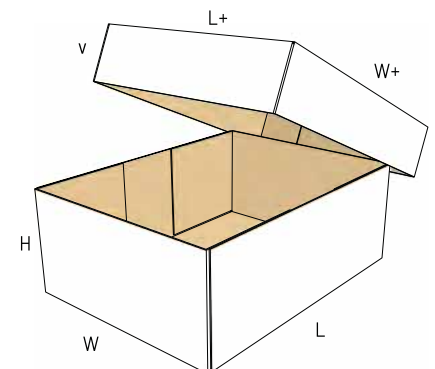
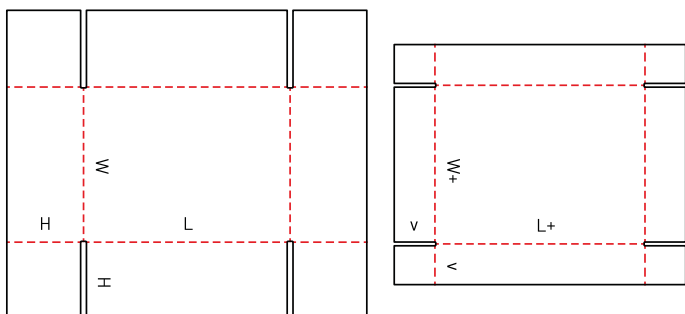
B303 M



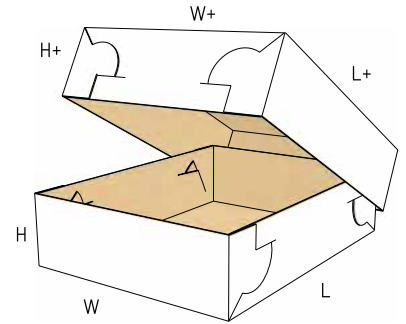
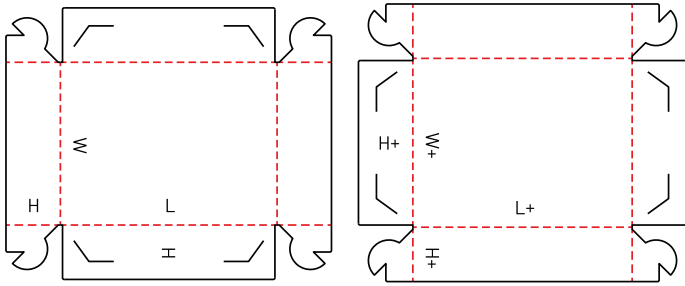
B304 M



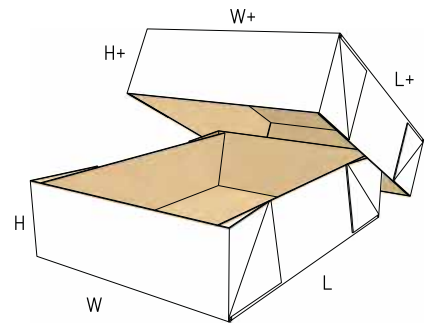
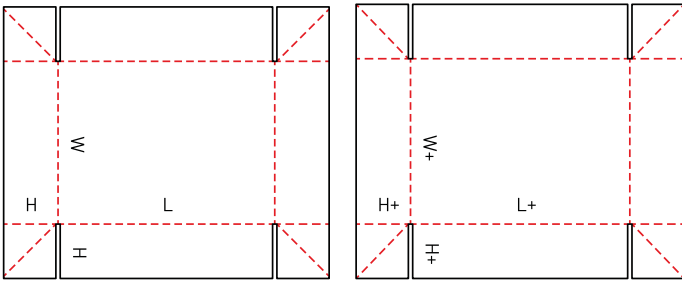
B306 M/A



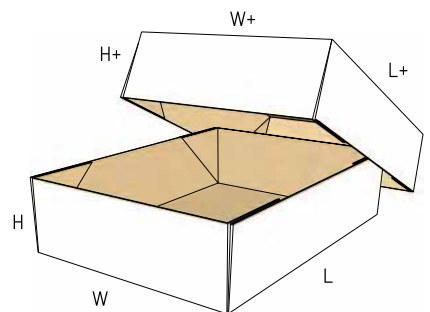
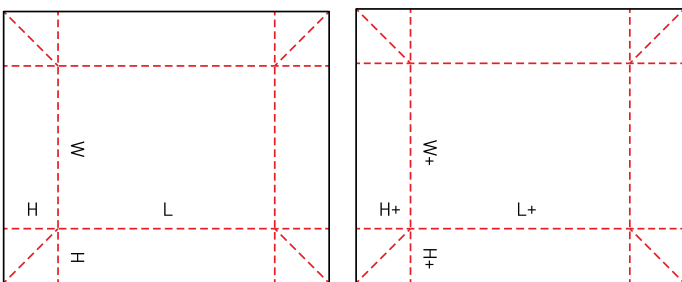
B307 M



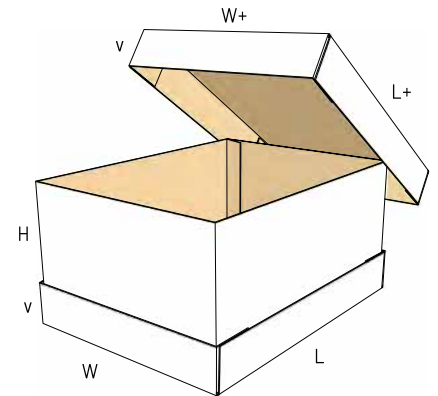
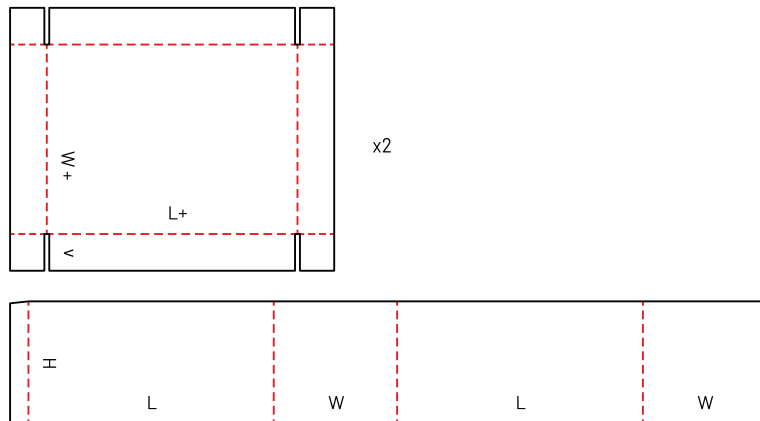
B308 M



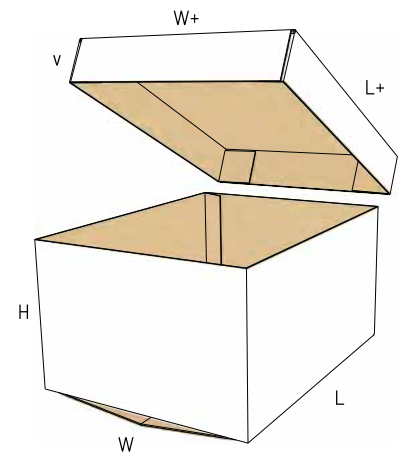
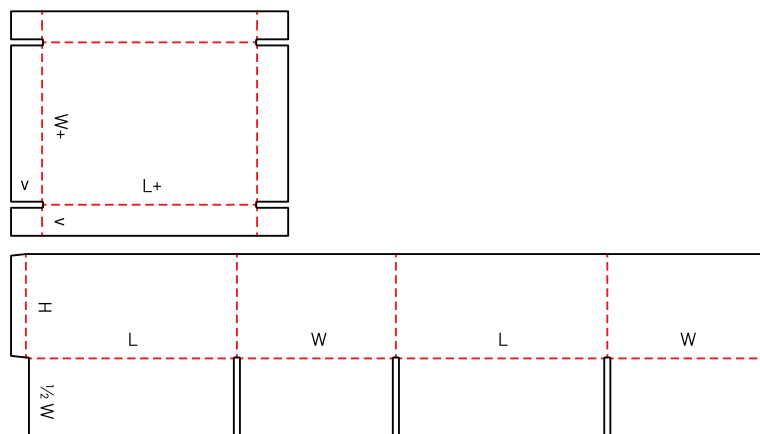
B309 M



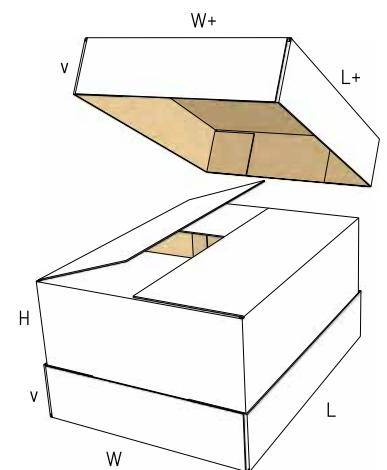
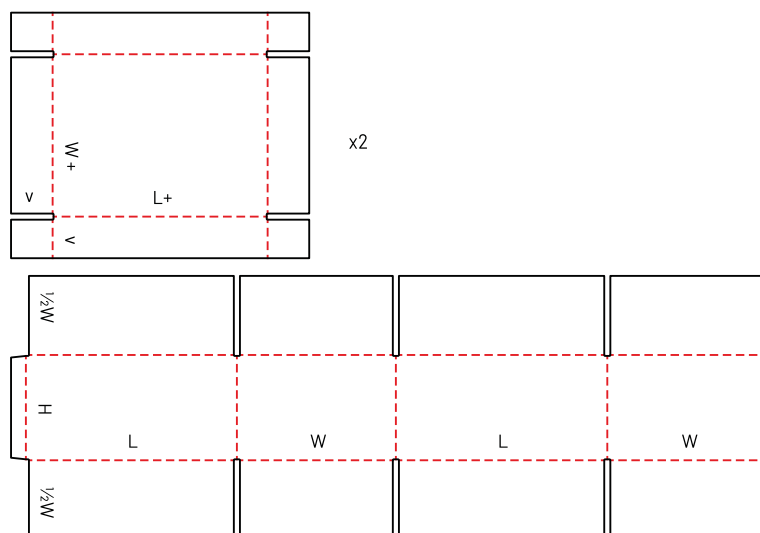
B310 M/A



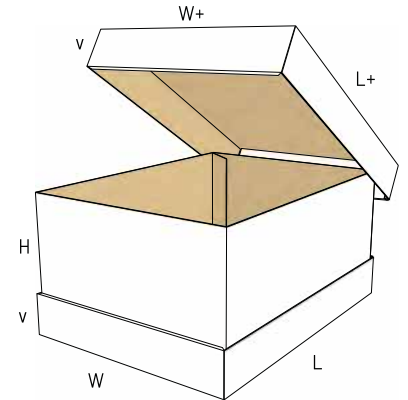
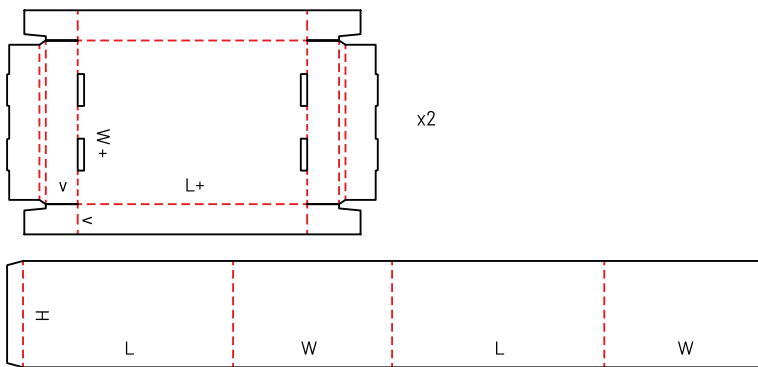
B312 M/A



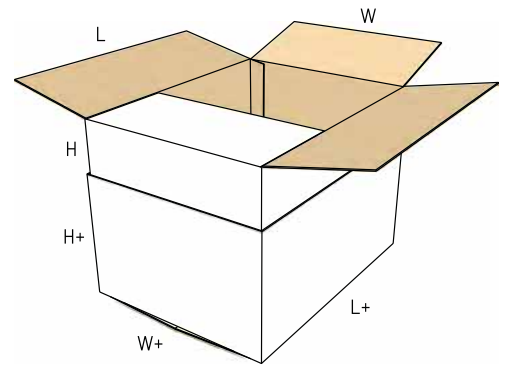
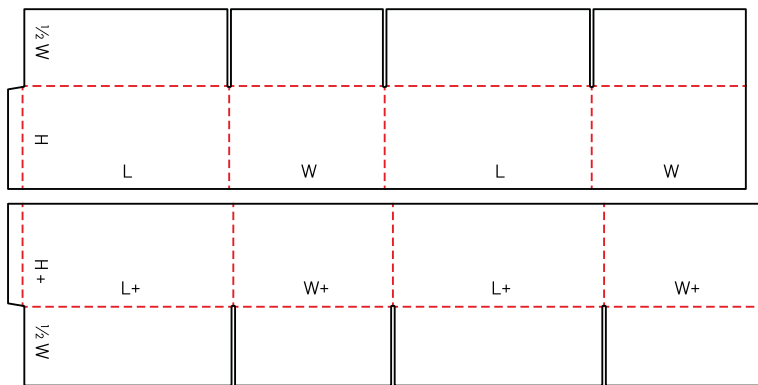
B313 M/A



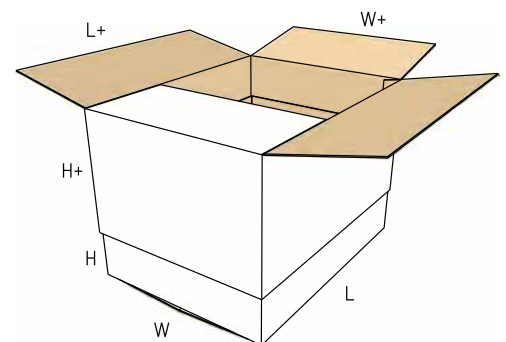
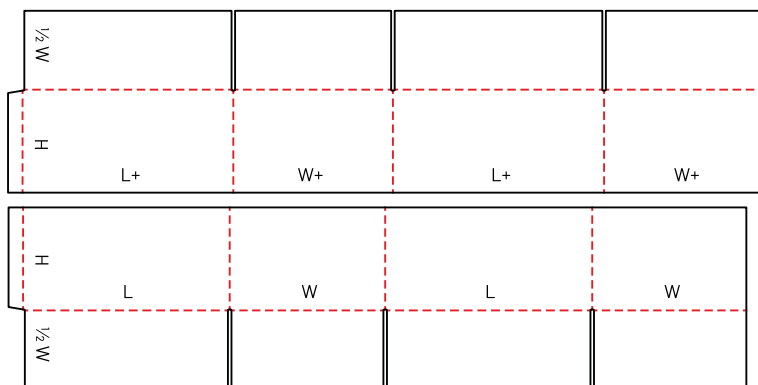
B314 M



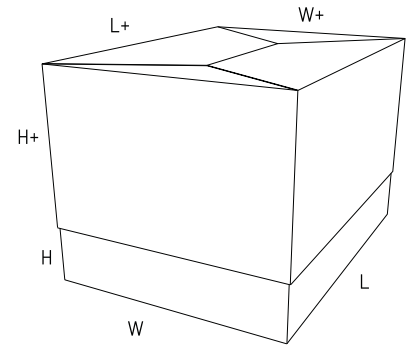
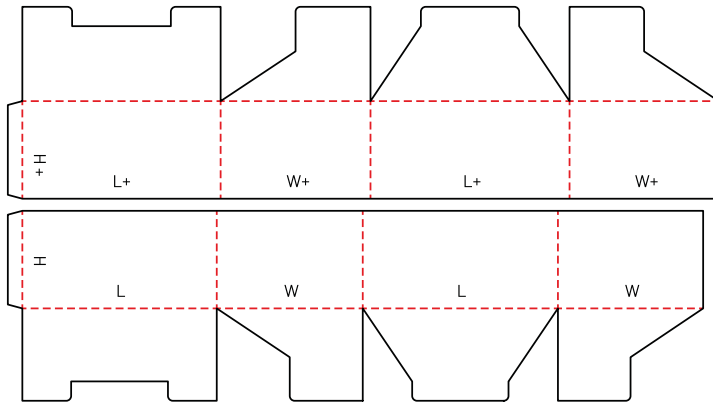
B319 M/A



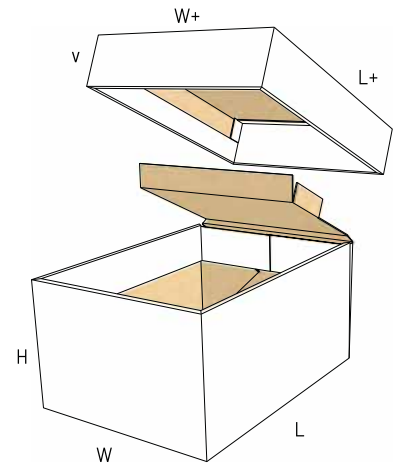
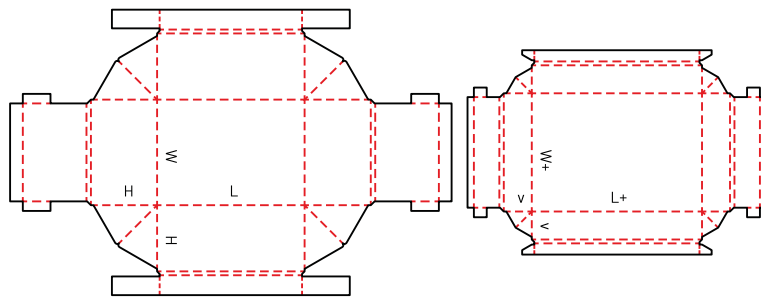
B320 M/A



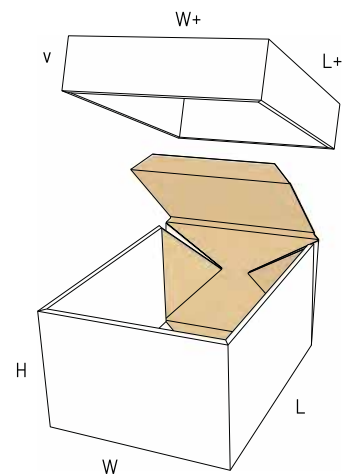
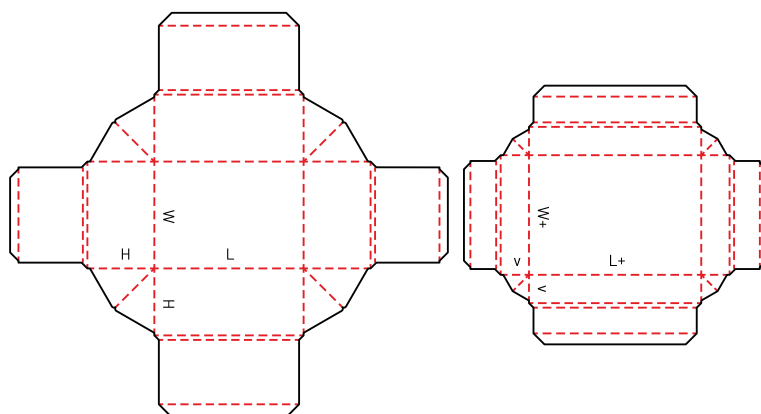
B321 M



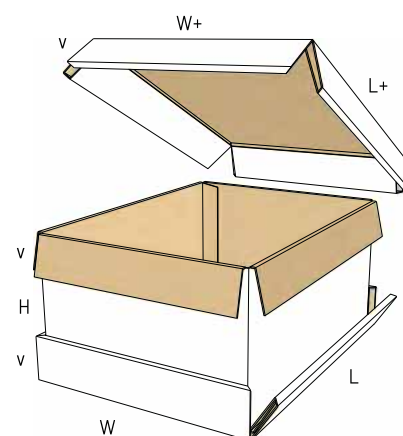
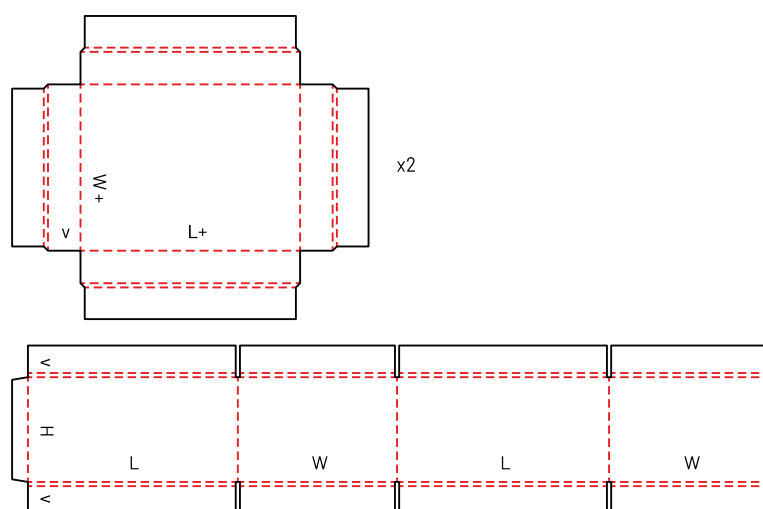
B322 M



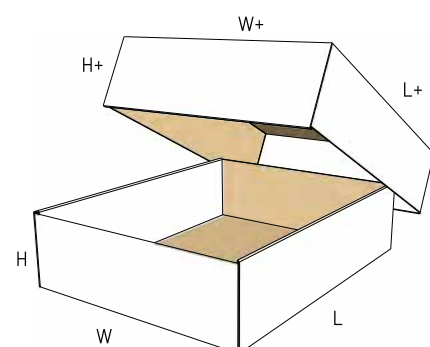
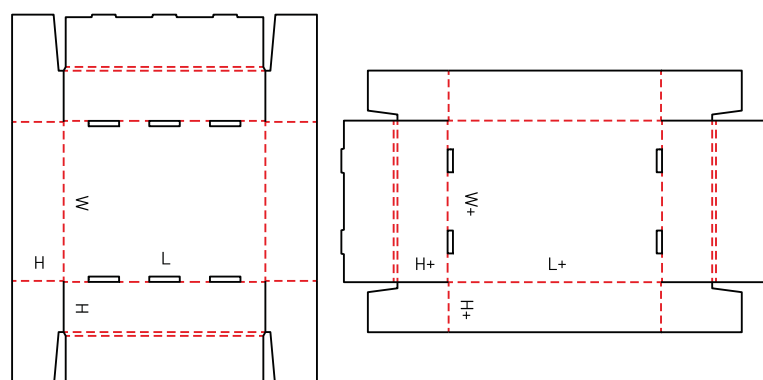
B323 M



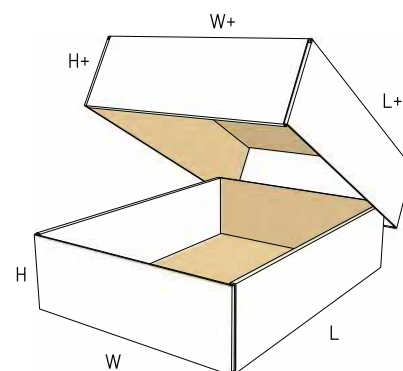
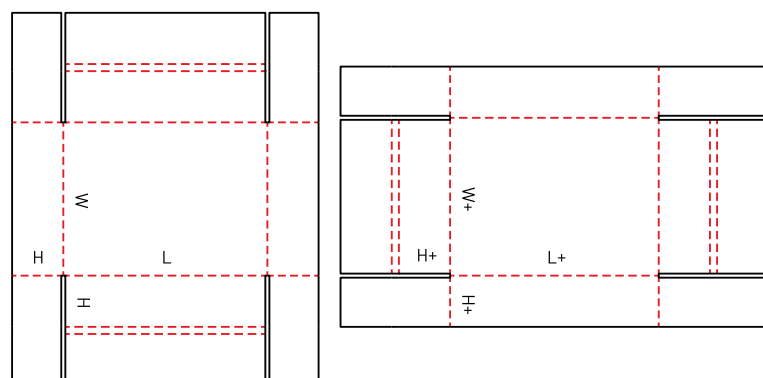
B325 M/A



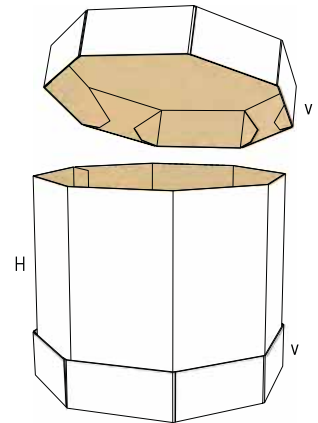
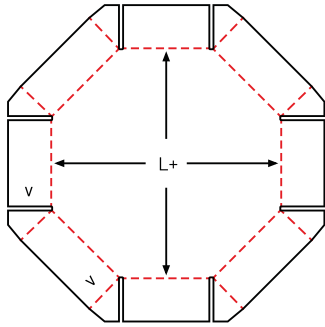
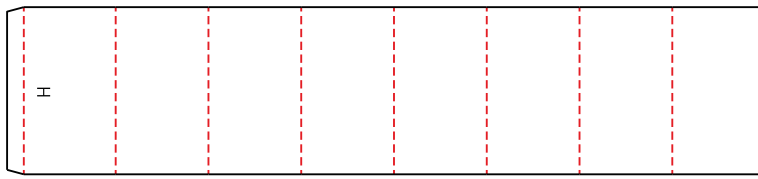
B330 M/A



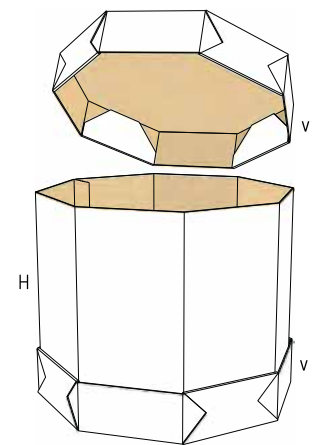
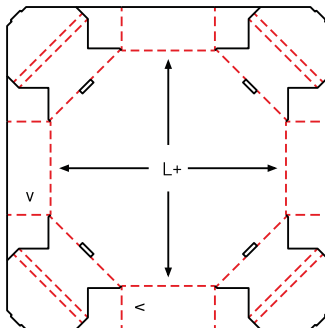
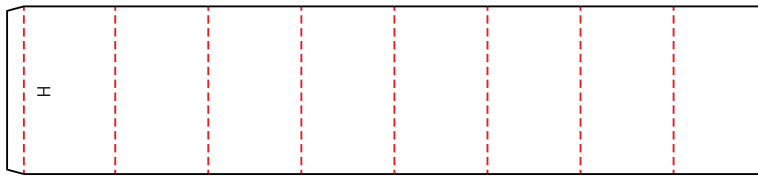
B331 M/A



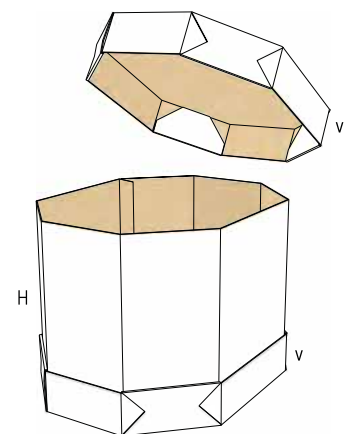
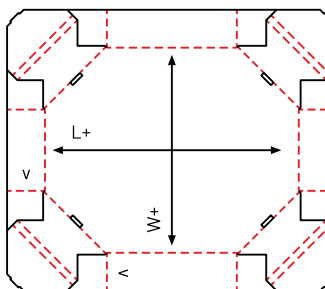
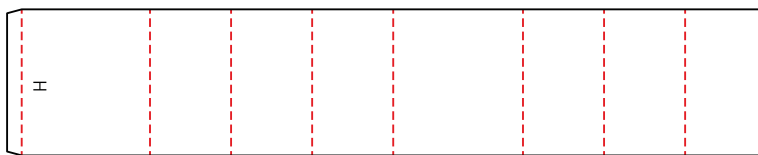
B350 A



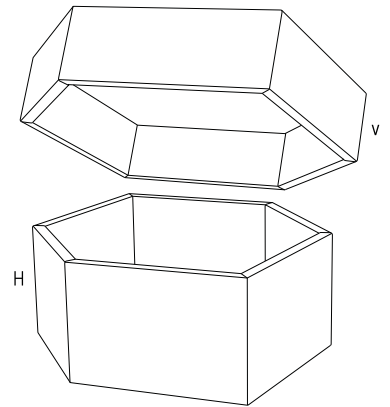
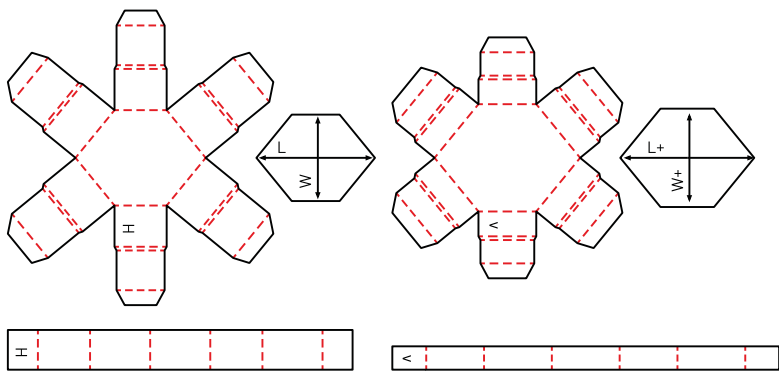
B351 M/A



B352 M/A



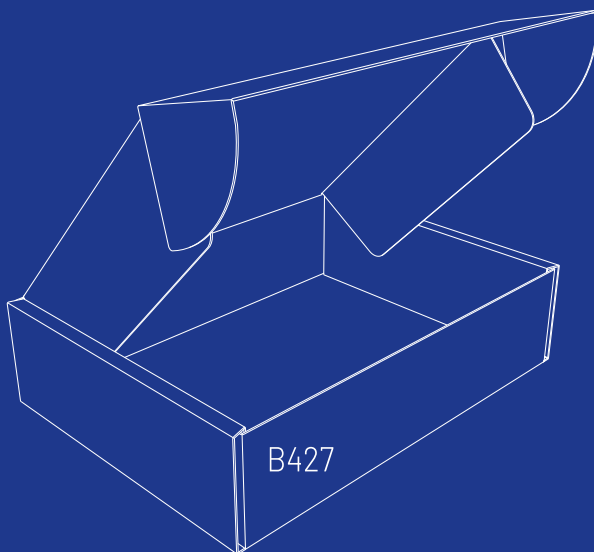
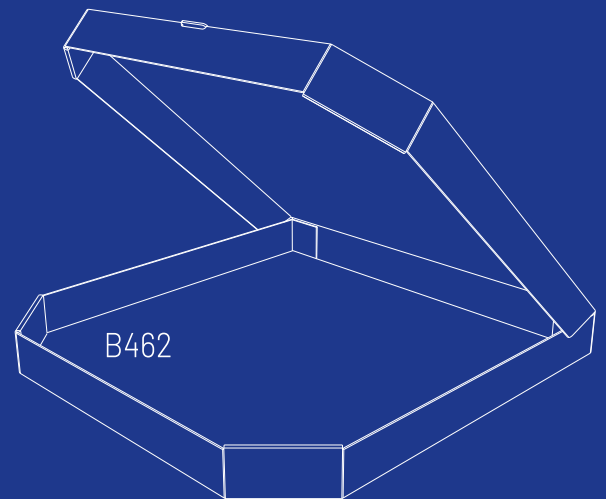
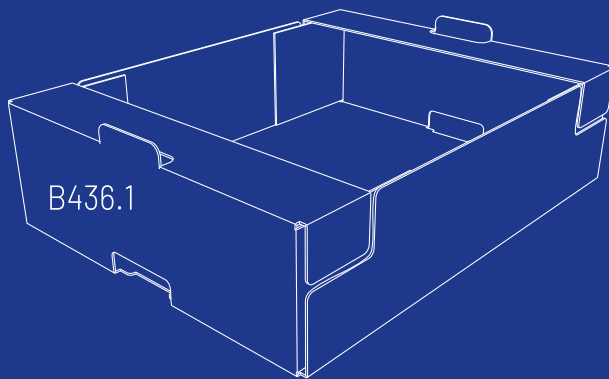
B360 M



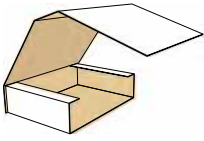
B400

FOLDING BOXES AND TRAYS

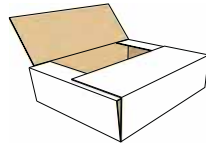
Folding boxes and trays usually consist of a single piece of corrugated cardboard. The bottom of the box will form the two or all side walls and the lid. The lid is hinged. Some models have locking tabs, handles, display panels, etc. can be included.



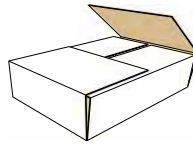
B400 M



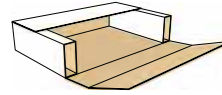
B401 M



B402 M



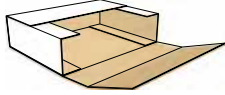
B403 M



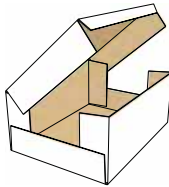
B404 M



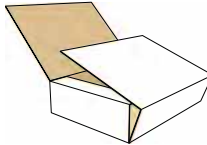
B405 M



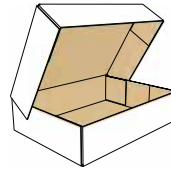
B406 A



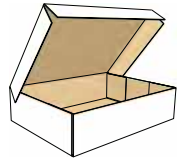
B407 M



B409 M/A



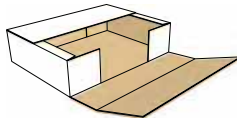
B410 M/A



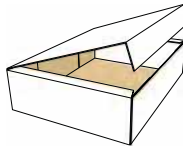
B411 M/A



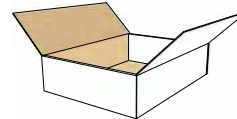
B412 M



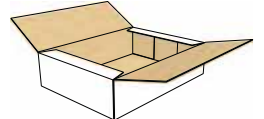
B413 M/A



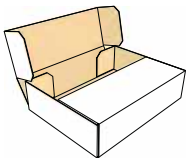
B414 M
YENİ



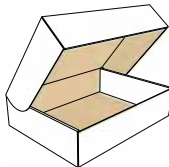
B415 M/A



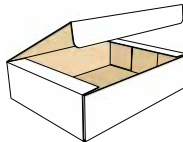
B416 M



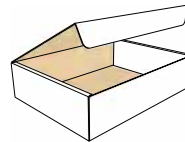
B418 M



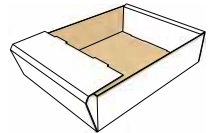
B420 M/A



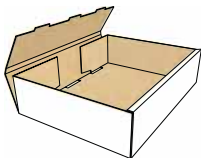
B421 M/A



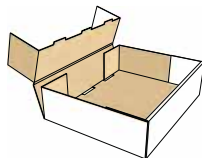
B422 M/A



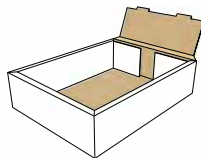
B423 M/A



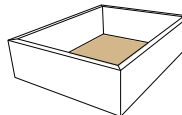
B424 M/A



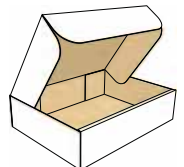
B425 M/A



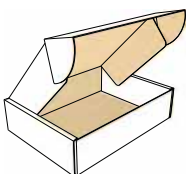
B425.1 M/A



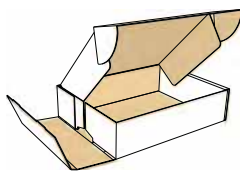
B426 M



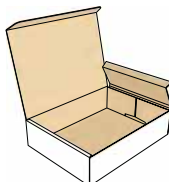
B427 M



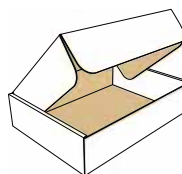
B427.1 M



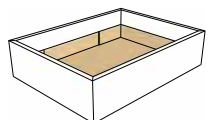
B428 M



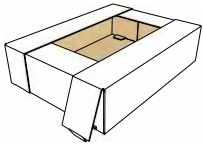
B429 M



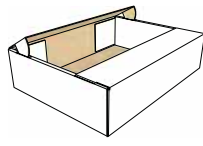
B430 M/A



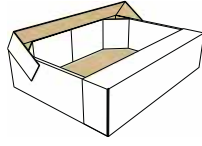
B431_M



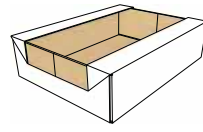
B432_M



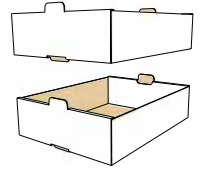
B433_M



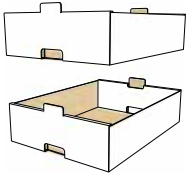
B434_A



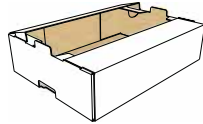
B435_{M/A}



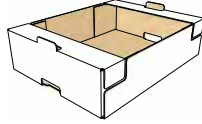
B435.1_{M/A}



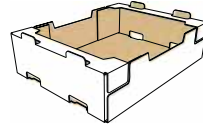
B436_M



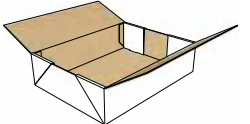
B436.1_A



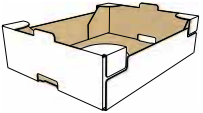
B436.2_A



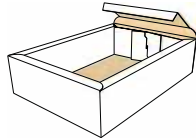
B437_M



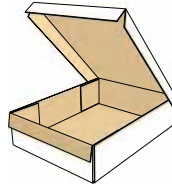
B438_A



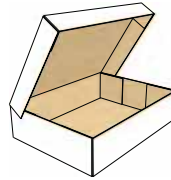
B439_M



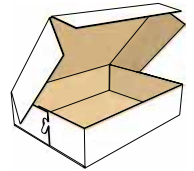
B440_A



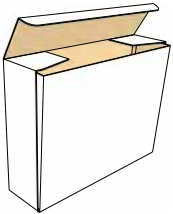
B441_A



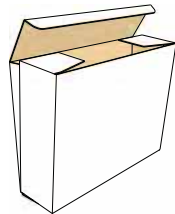
B442_M



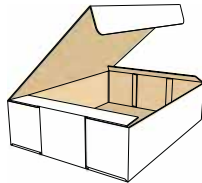
B443_M



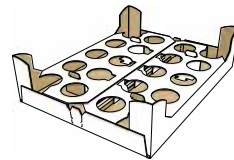
B444_M



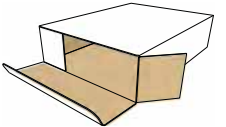
B445_M



B446_A



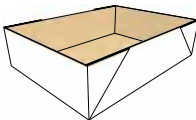
B447_M



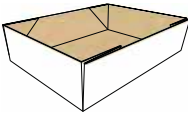
B448_M



B449_M



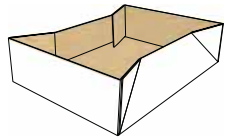
B449.1_M



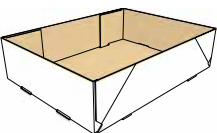
B450_M



B451_M



B451.1_M



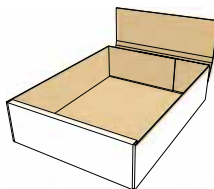
B452_A



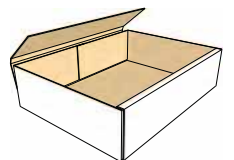
B453_A



B454_M



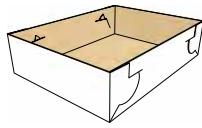
B455_M



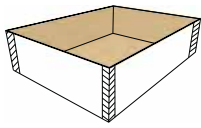
B456 M



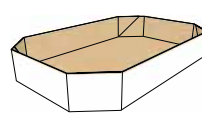
B457 M



B458 M



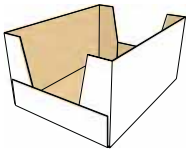
B459 A



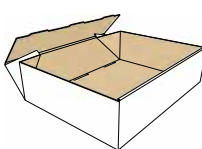
B459.1 A
YENİ



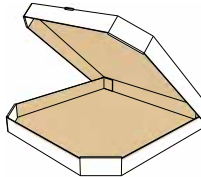
B460 A



B461 M/A



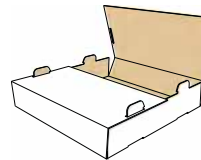
B462 M



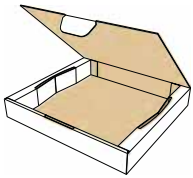
B463 M



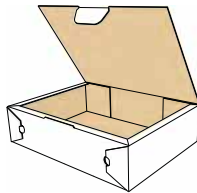
B464 M
YENİ



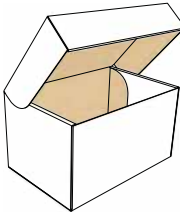
B465 M



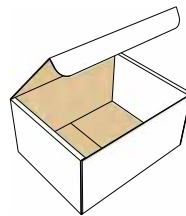
B466 M



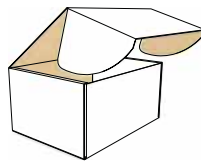
B469 M



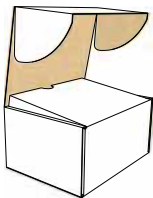
B470 M



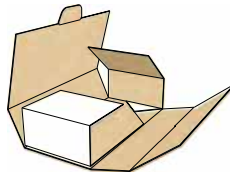
B471 M



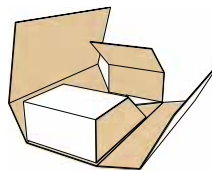
B472 M



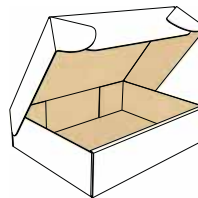
B473 M



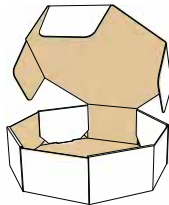
B474 M



B475 M



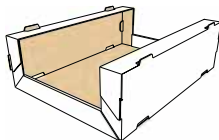
B476 M
YENİ



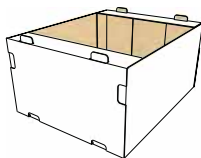
B480 A



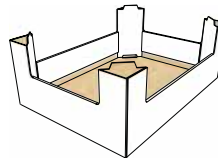
B481 M



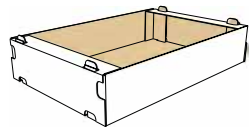
B482 M



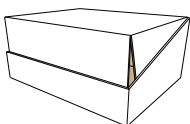
B483 A



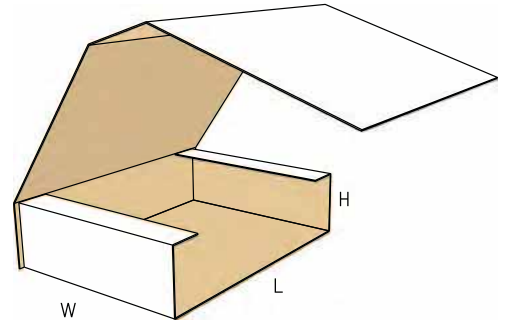
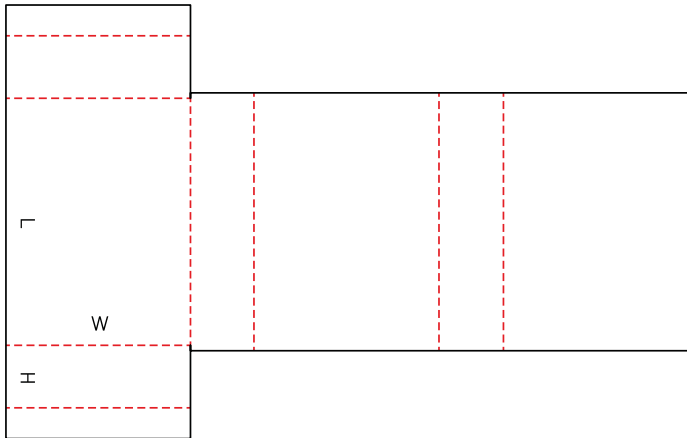
B484 M



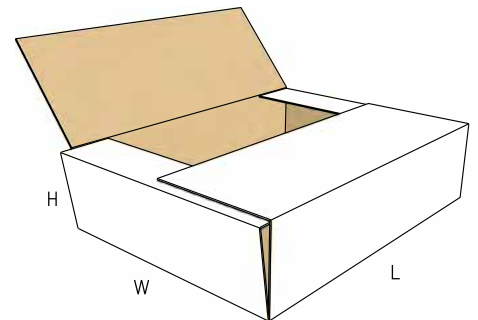
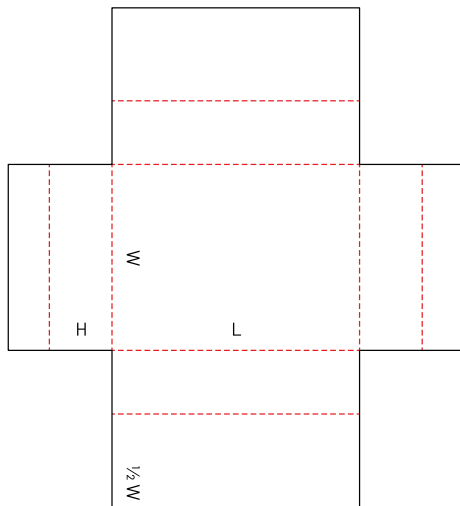
B485 M



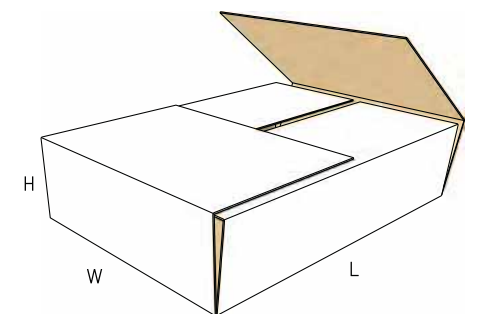
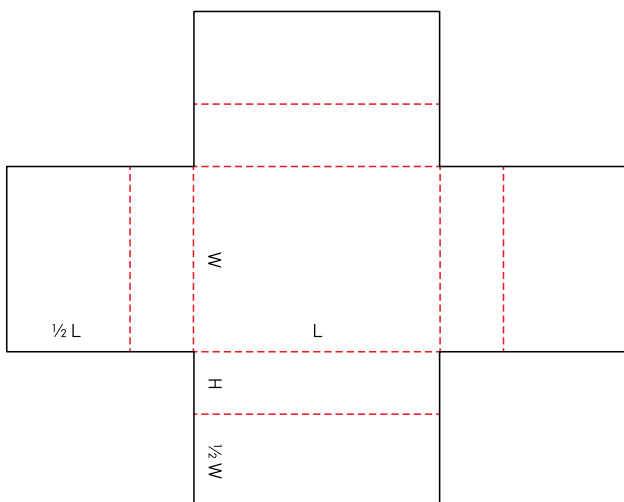
B400 M



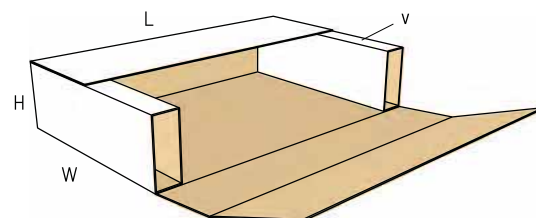
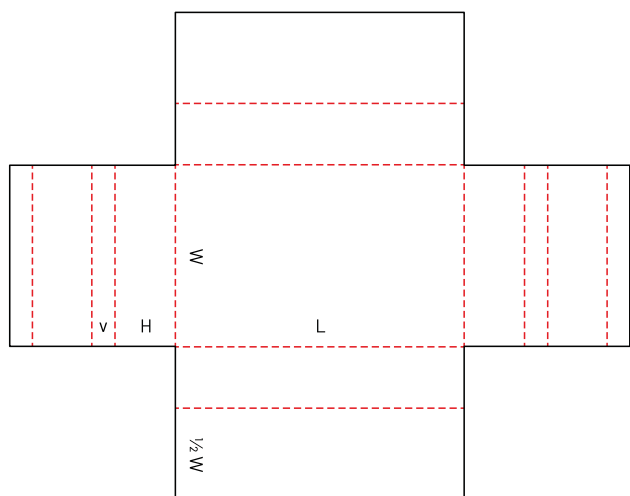
B401 M



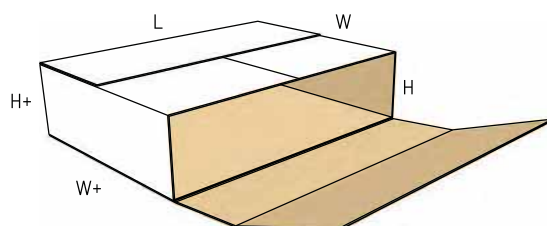
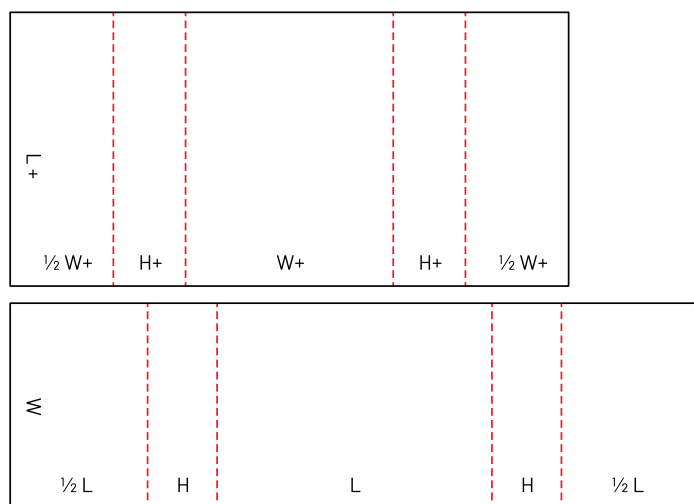
B402 M



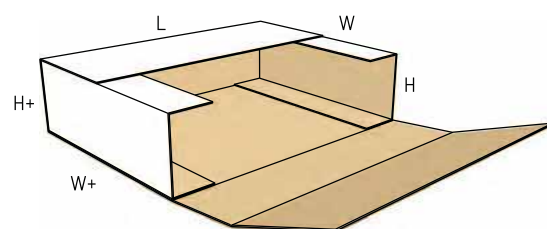
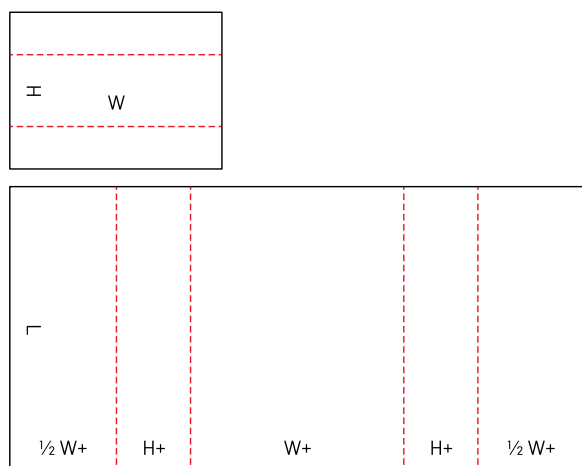
B403 M



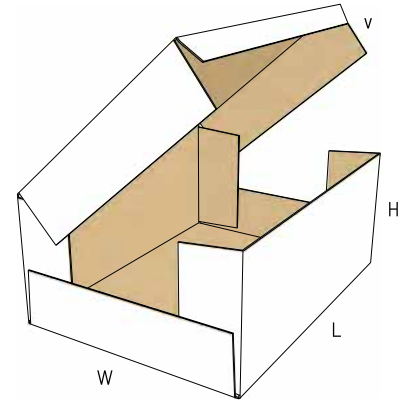
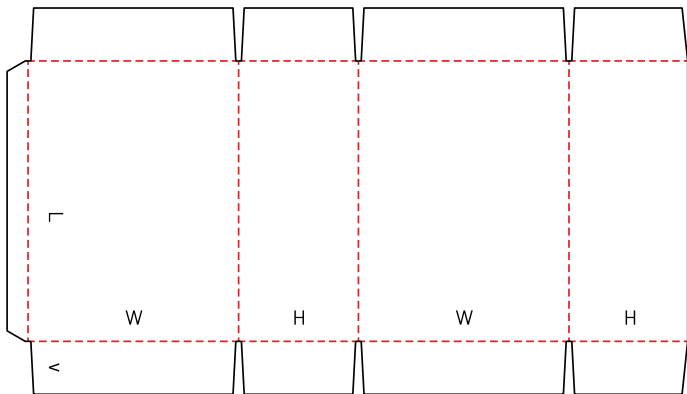
B404 M



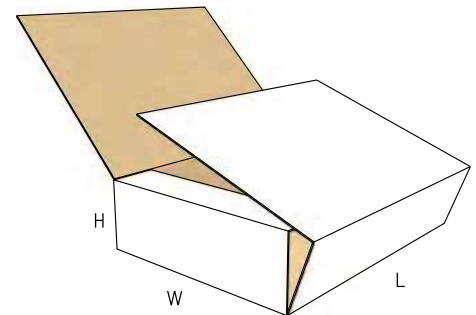
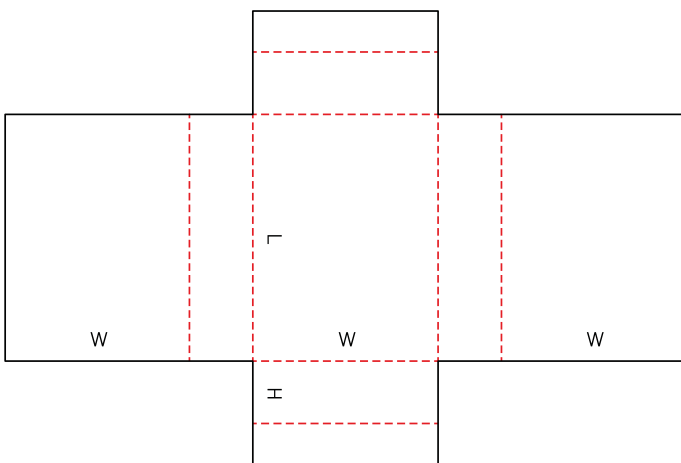
B405 M



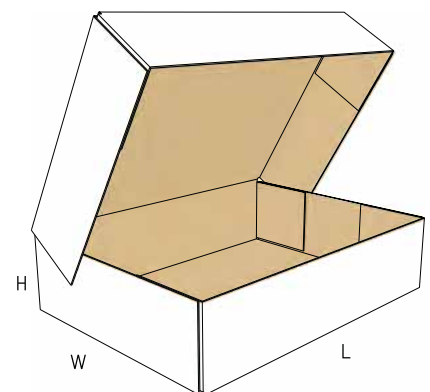
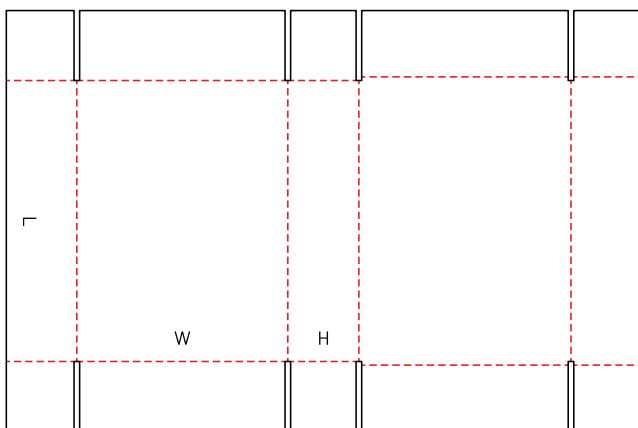
B406 A



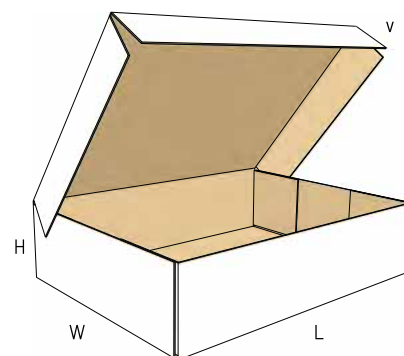
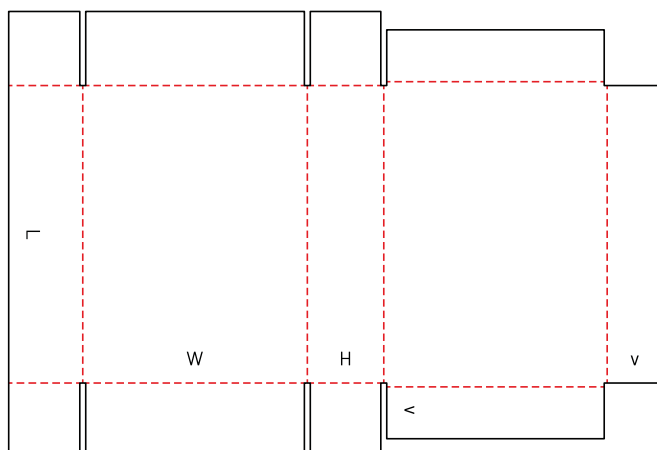
B407 M



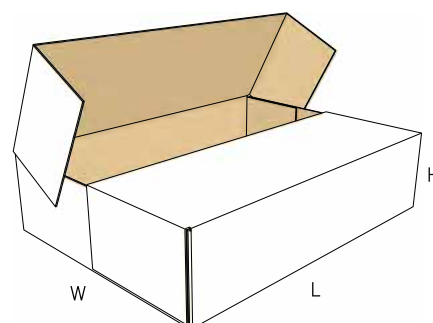
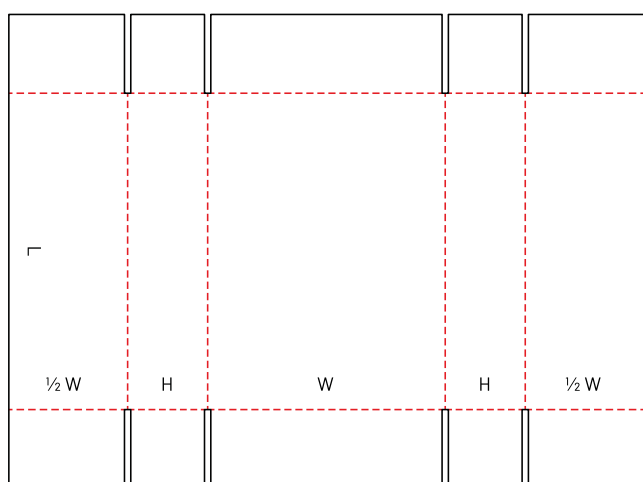
B409 M/A



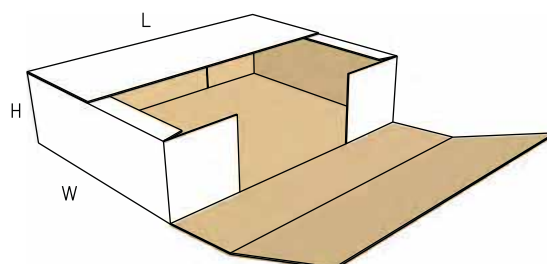
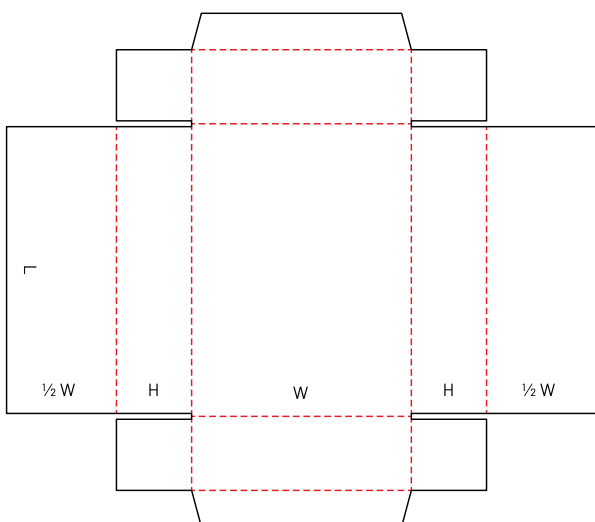
B410 M/A



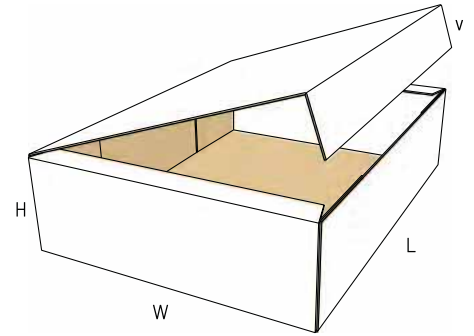
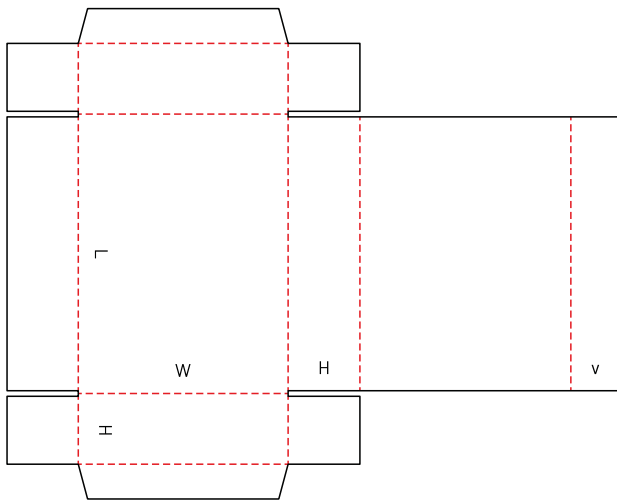
B411 M/A



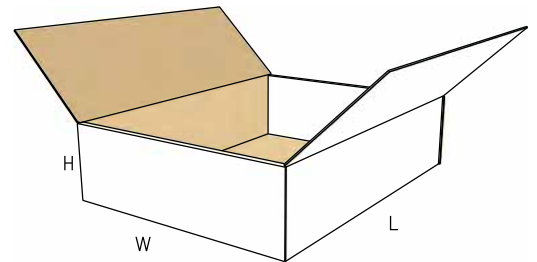
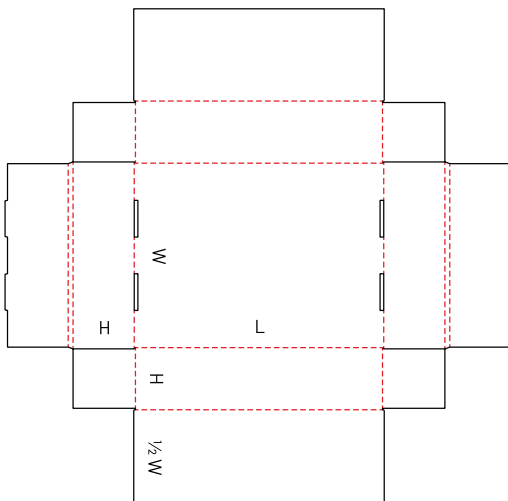
B412 M



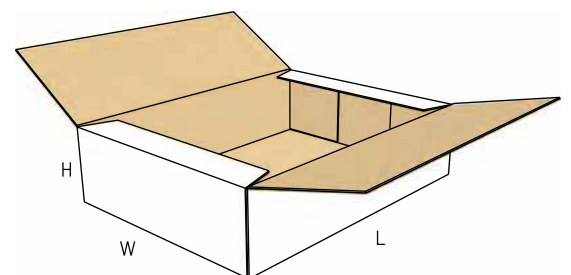
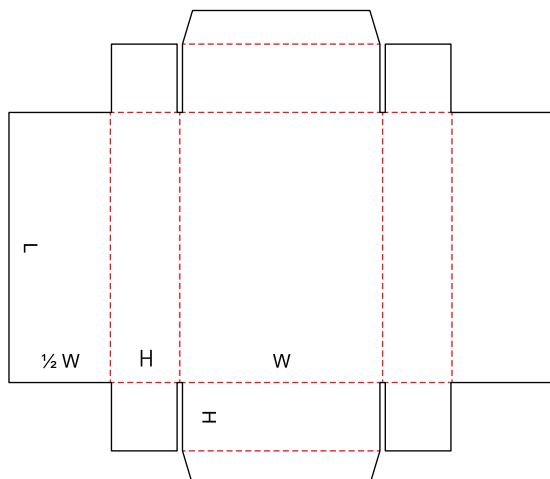
B413 M/A



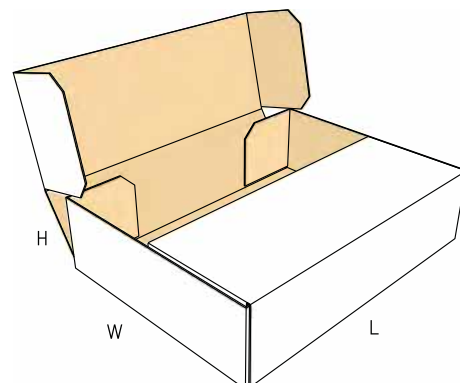
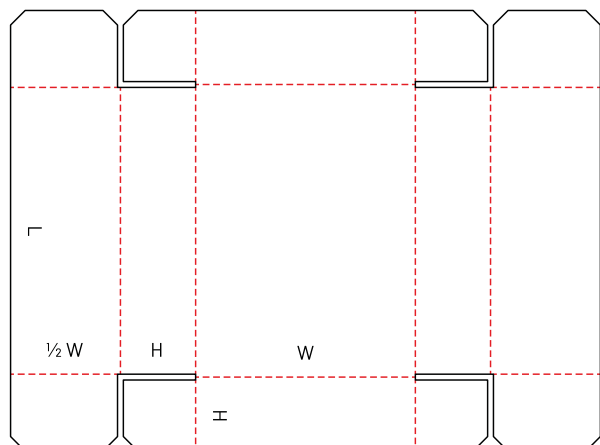
B414 M



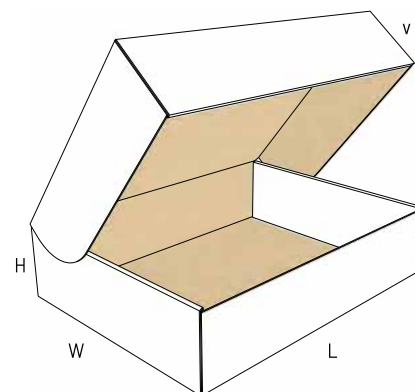
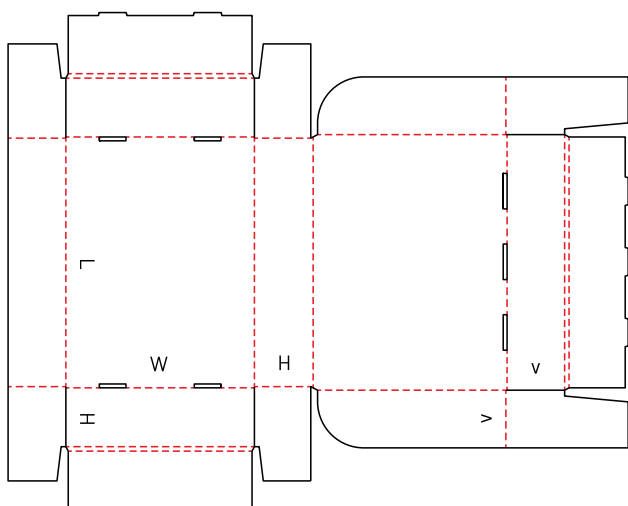
B415 M/A



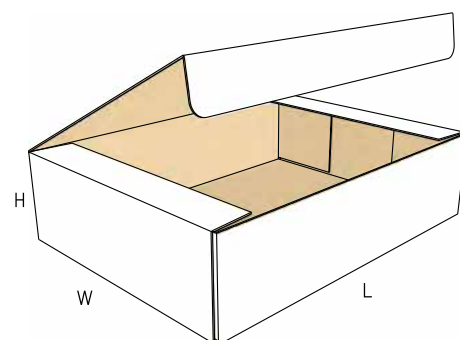
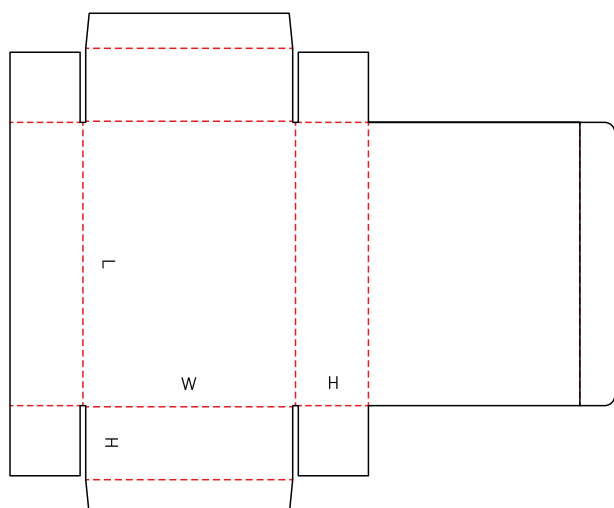
B416 M



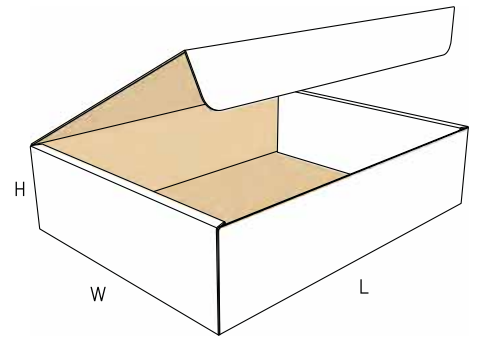
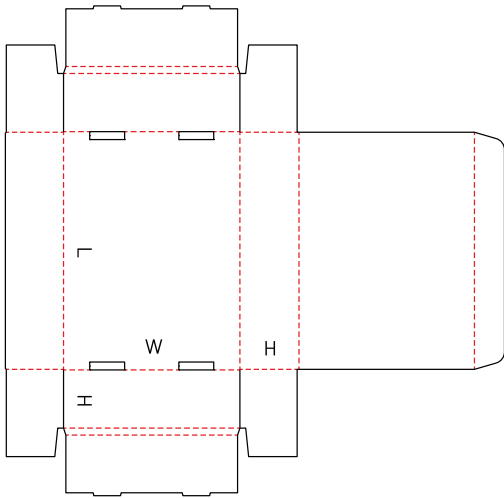
B418 M



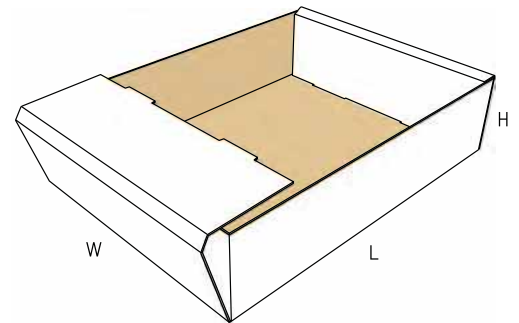
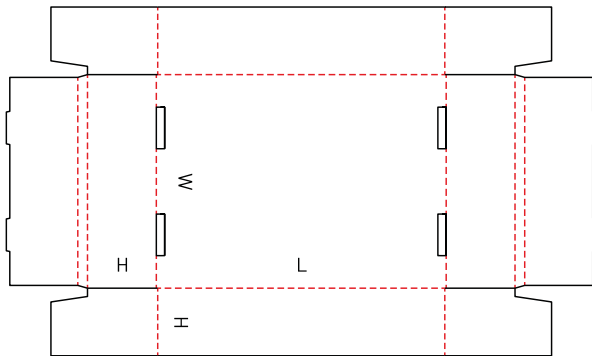
B420 M/A



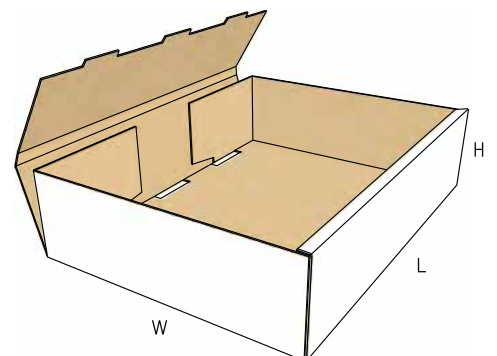
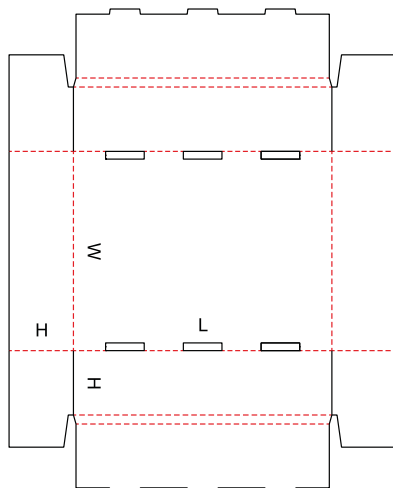
B421 M/A



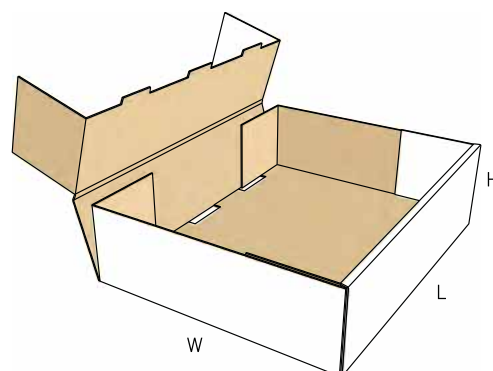
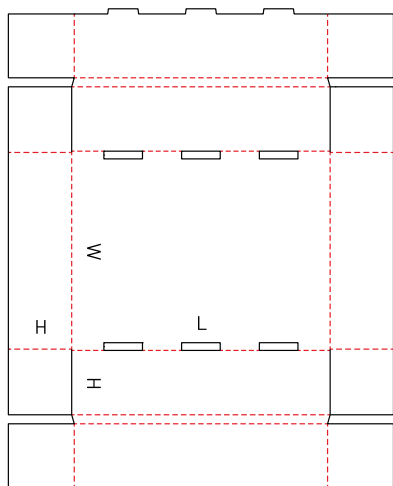
B422 M/A



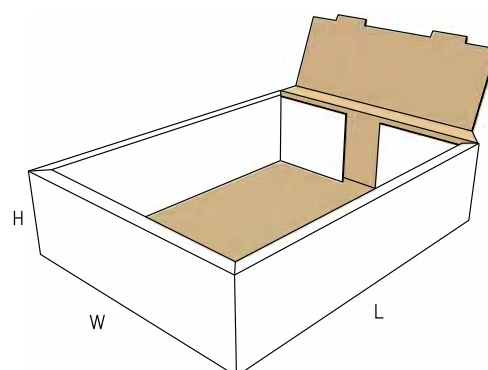
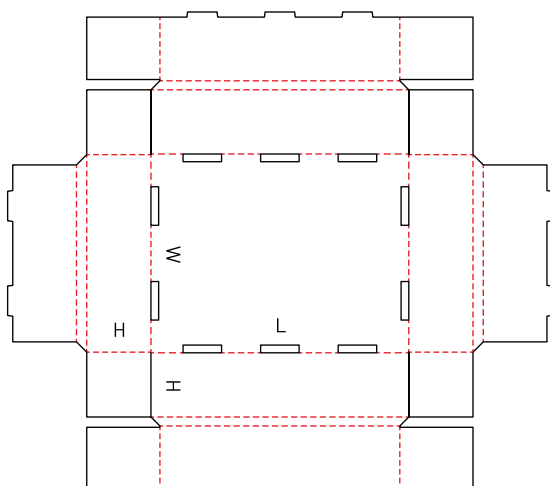
B423 M/A



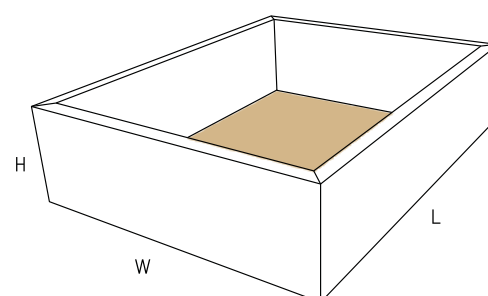
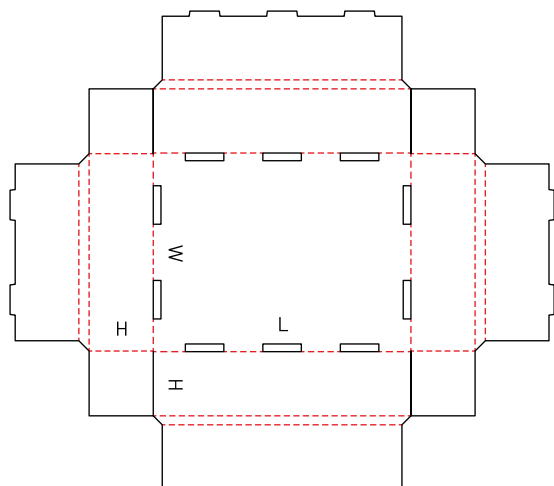
B424 M/A



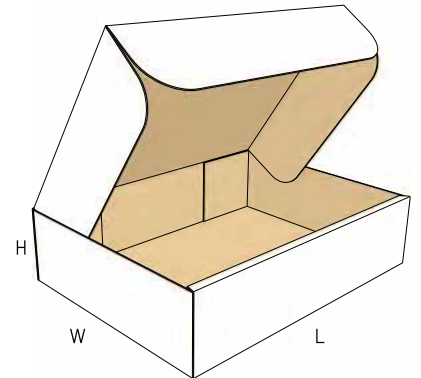
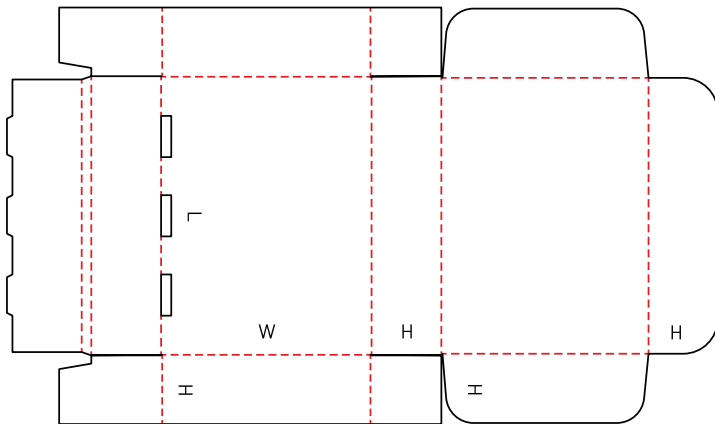
B425 M/A



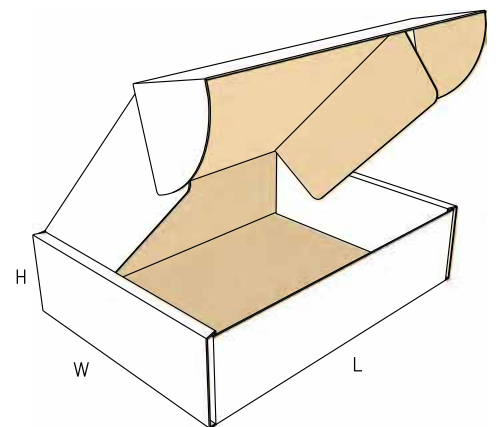
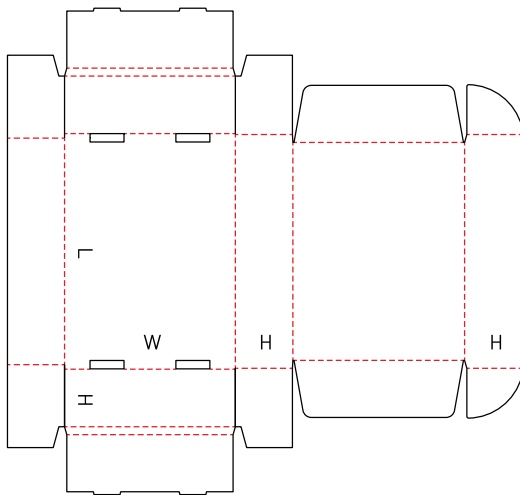
B425.1 M/A



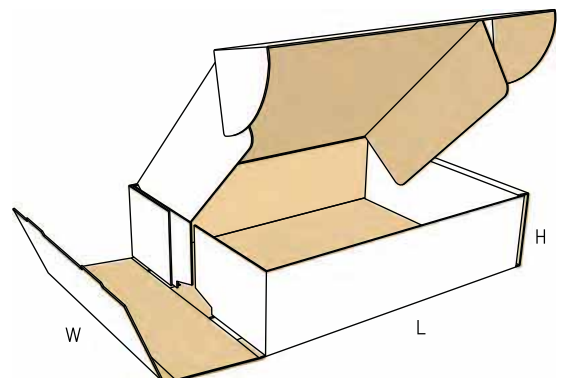
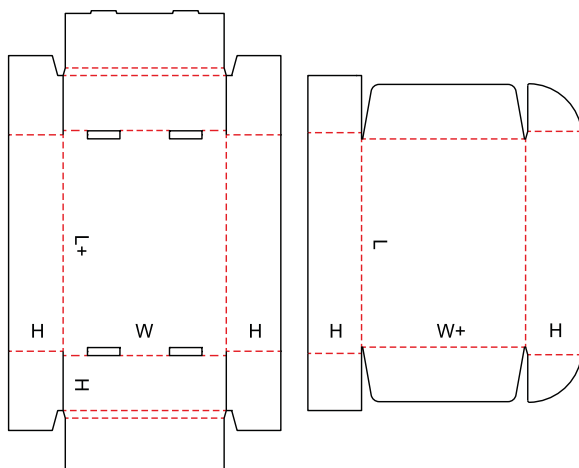
B426 M



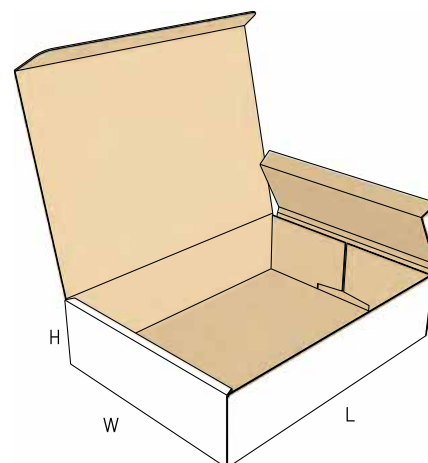
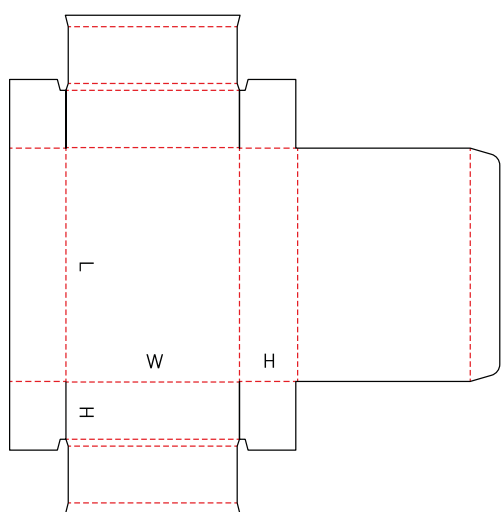
B427 M



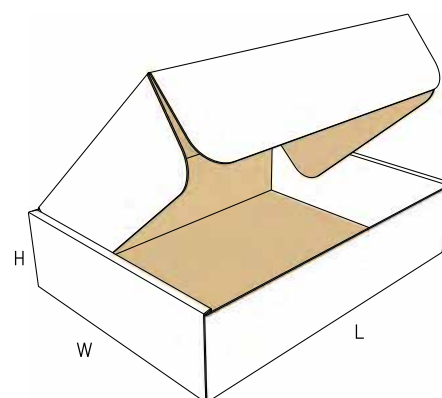
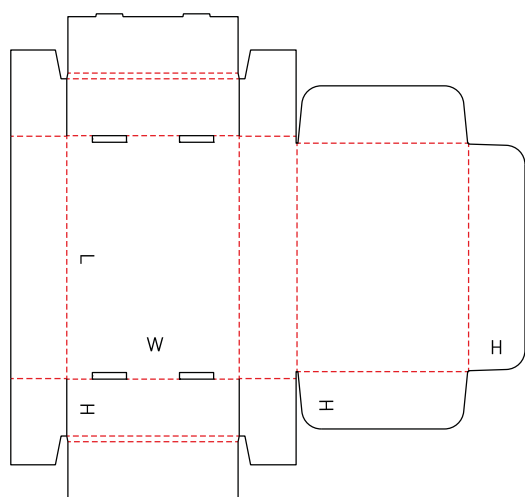
B427.1 M



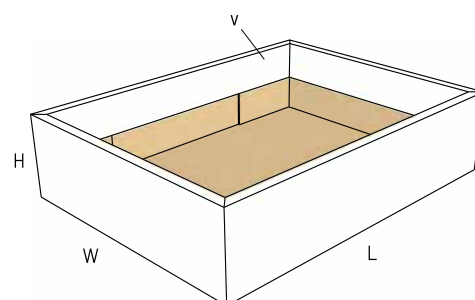
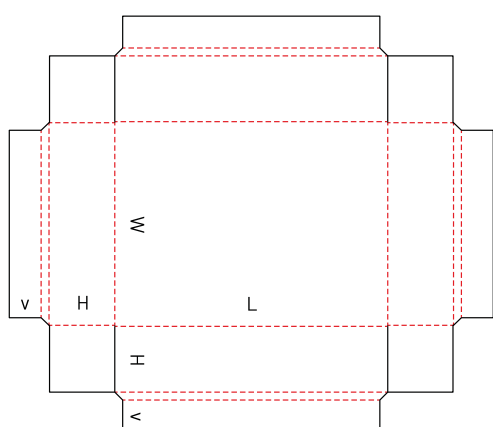
B428 M



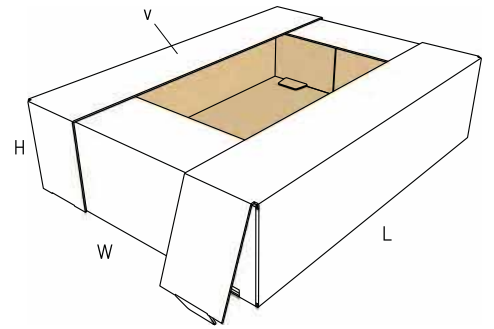
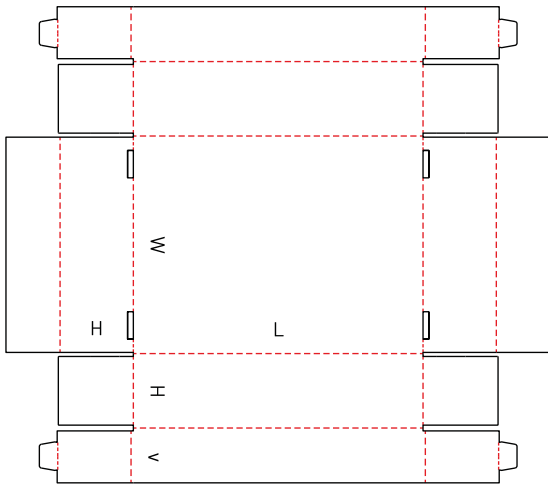
B429 M



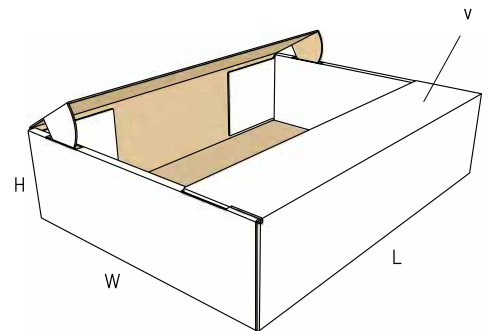
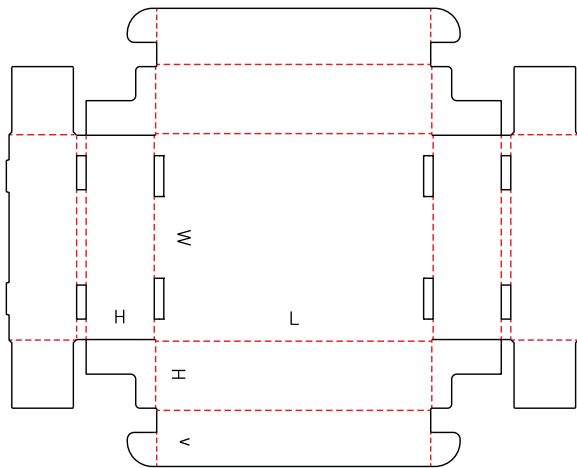
B430 M/A



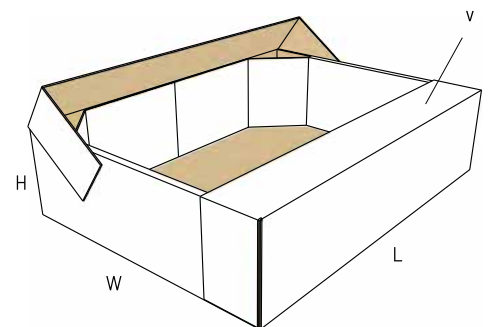
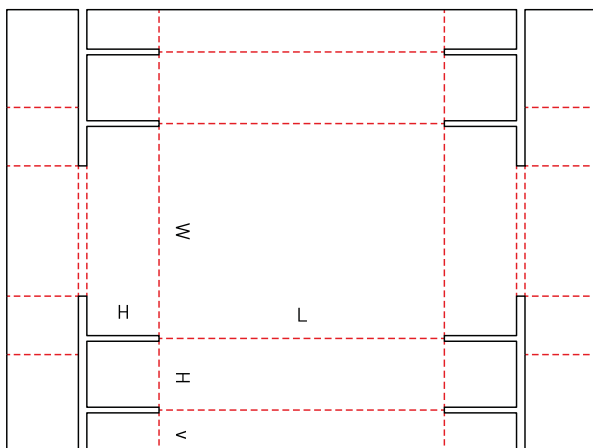
B431 M



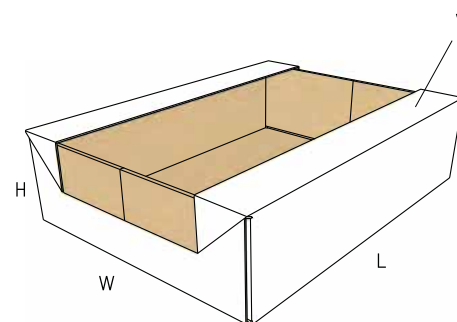
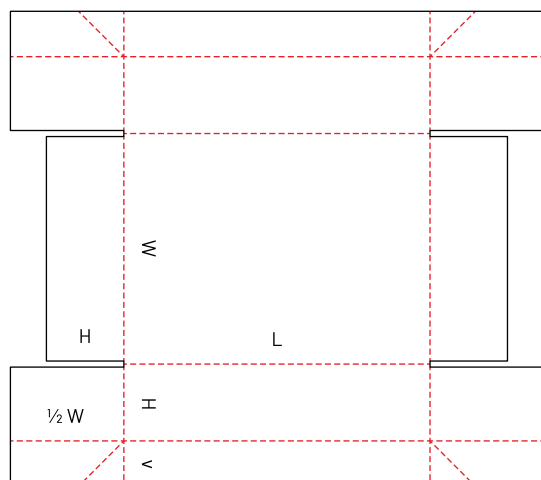
B432 M



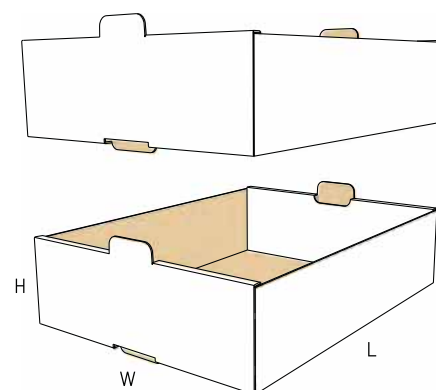
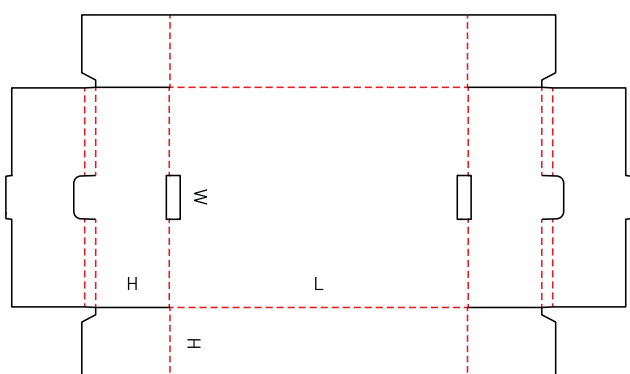
B433 M



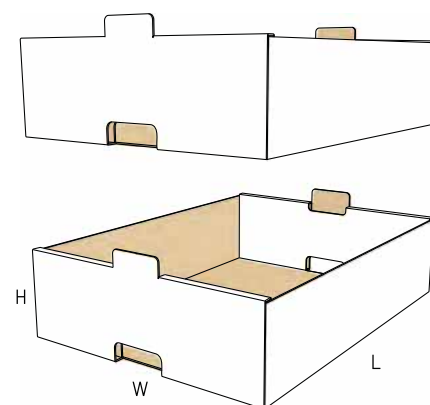
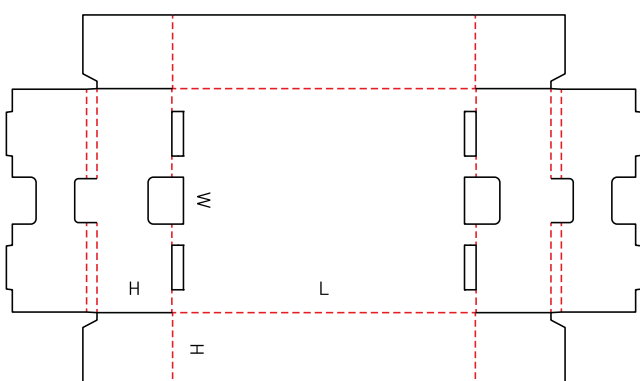
B434 A



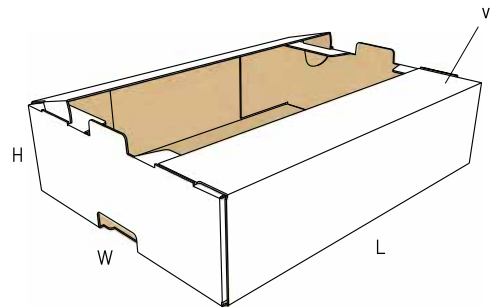
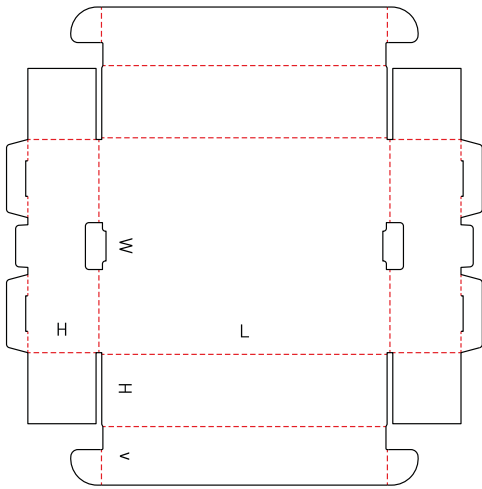
B435 M/A



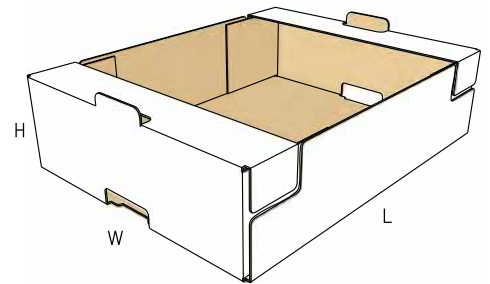
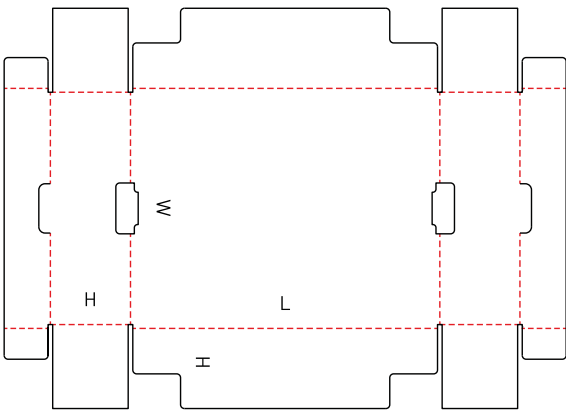
B435.1 M/A



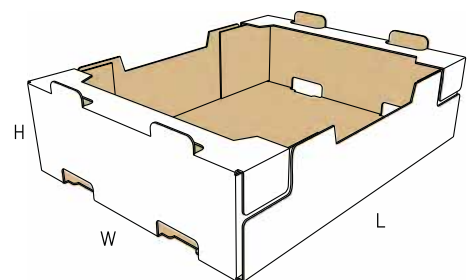
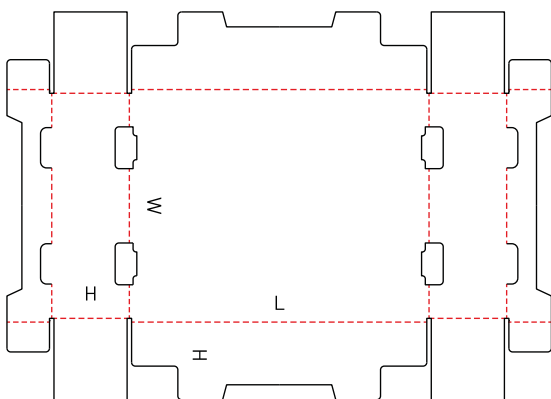
B436 M



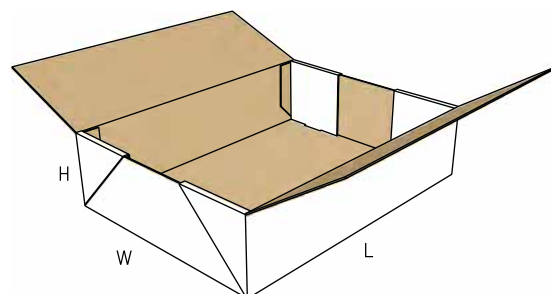
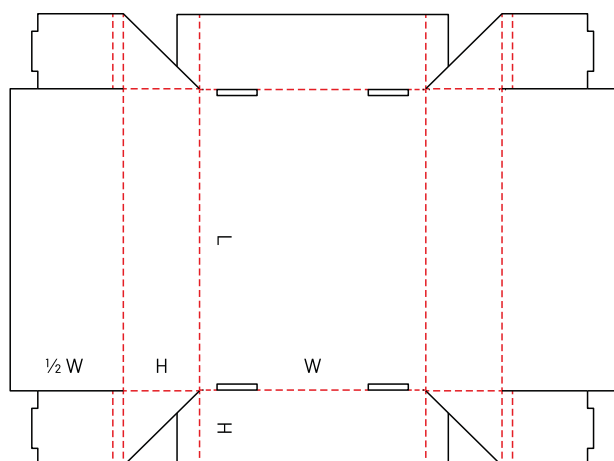
B436.1 A



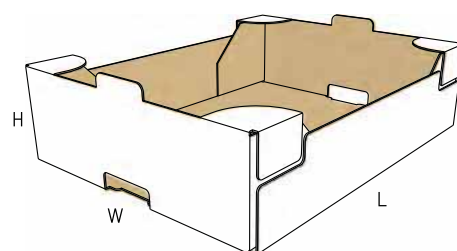
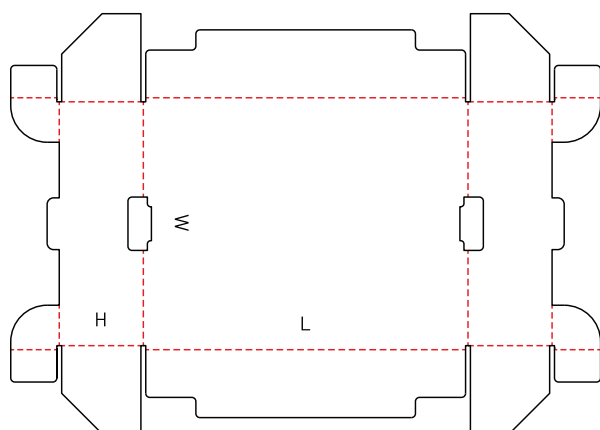
B436.2 A



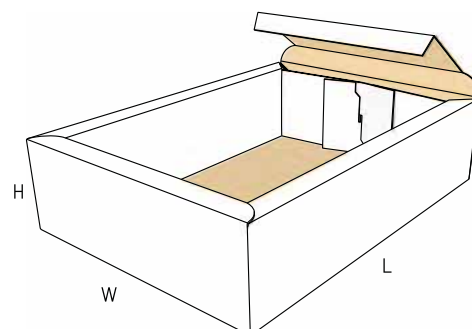
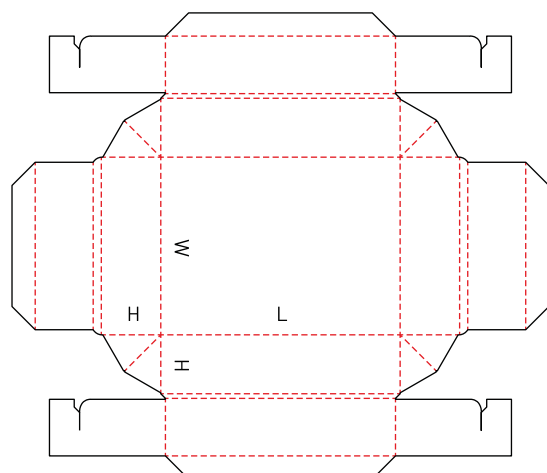
B437 M



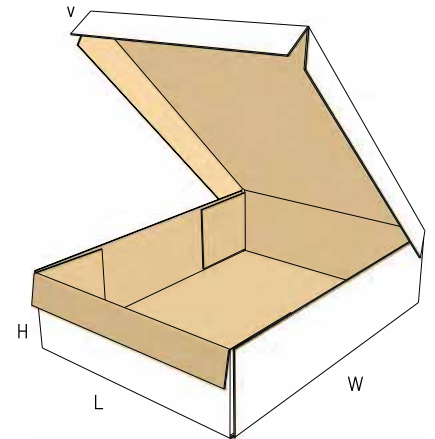
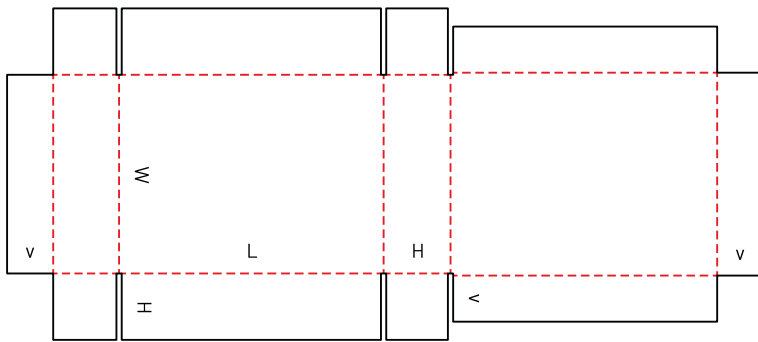
B438 A



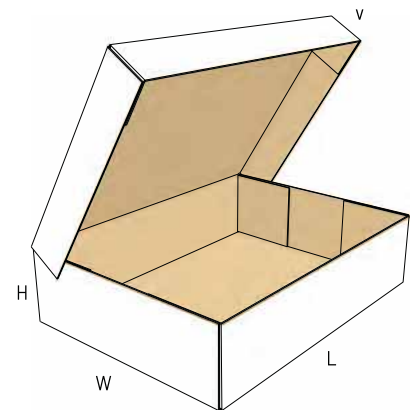
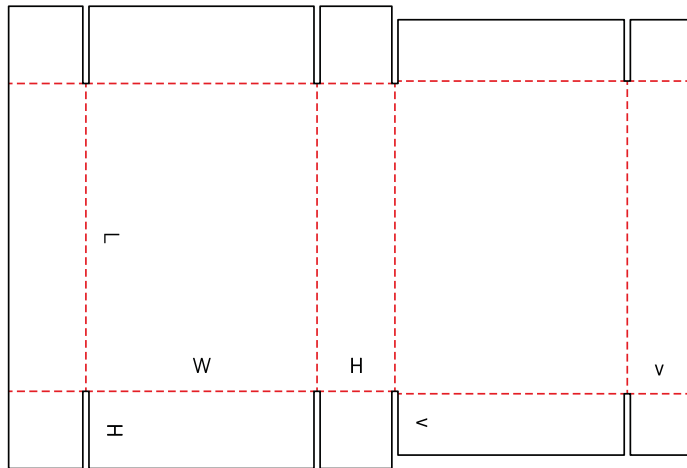
B439 M



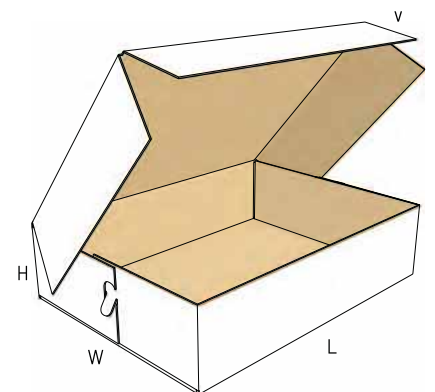
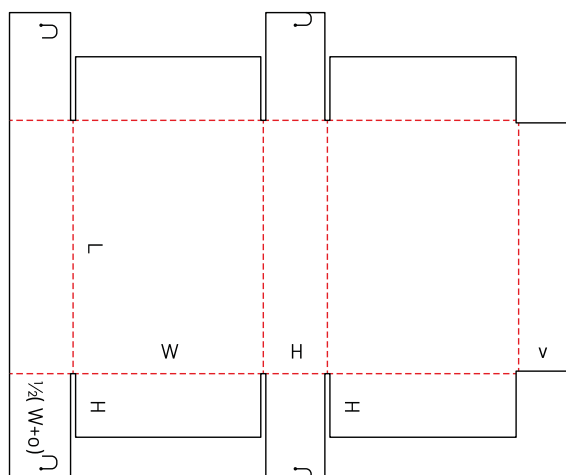
B440 A



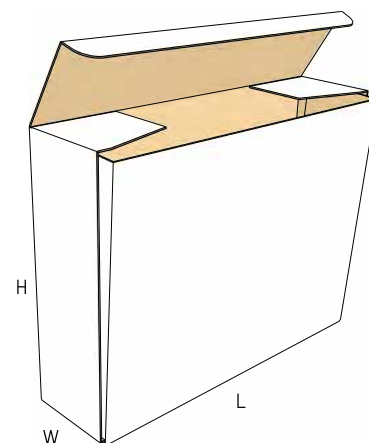
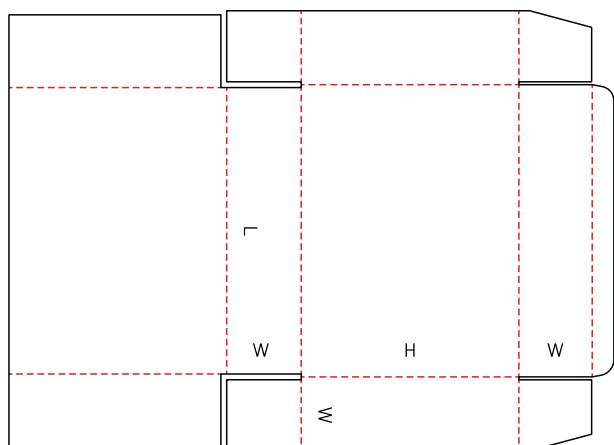
B441 A



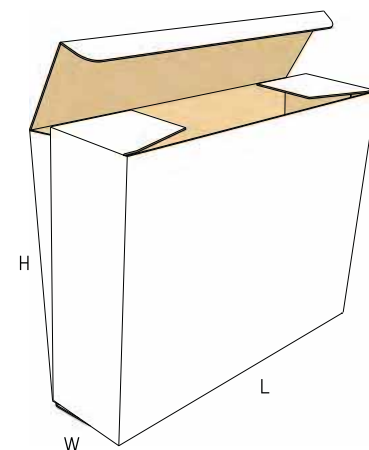
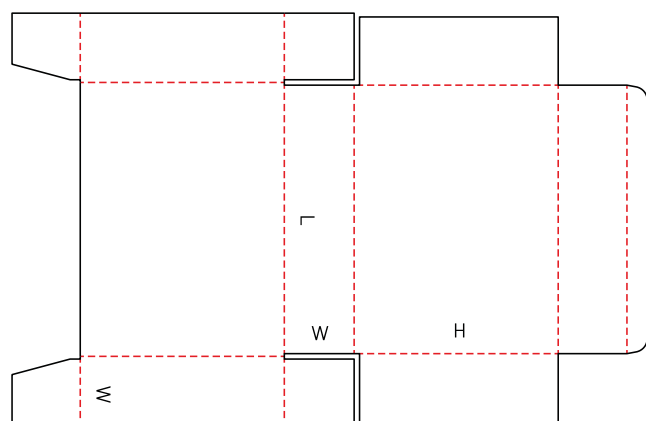
B442 M



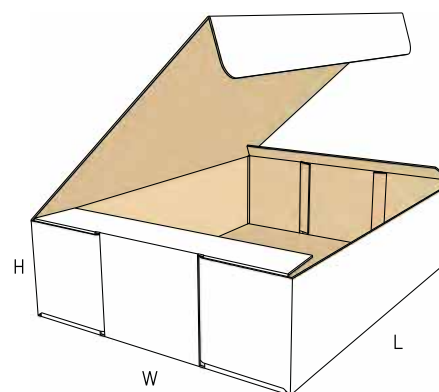
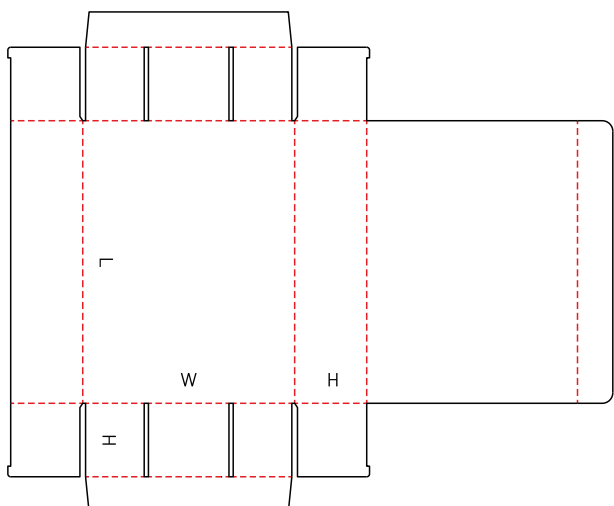
B443 M



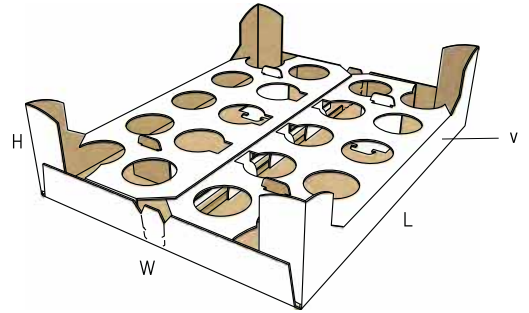
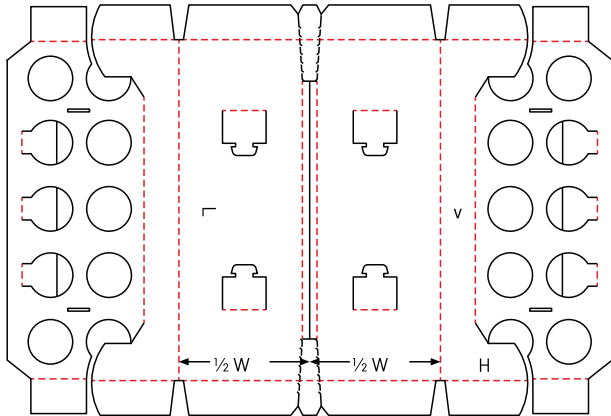
B444 M



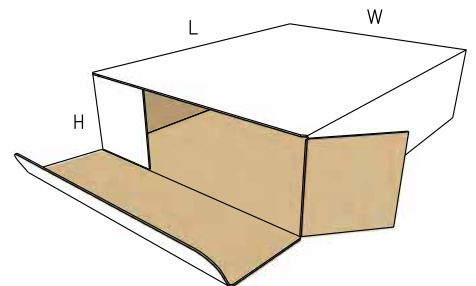
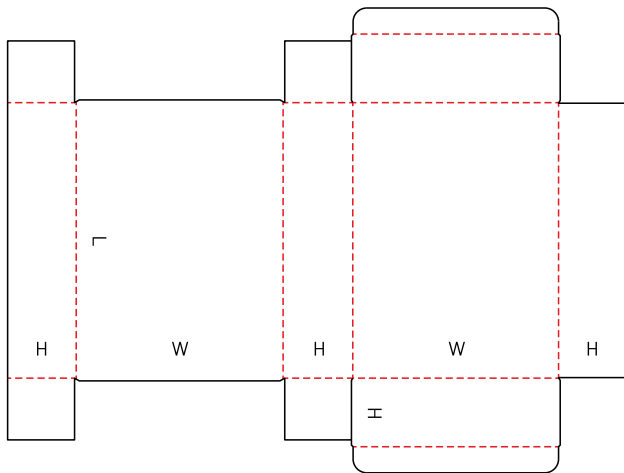
B445 M



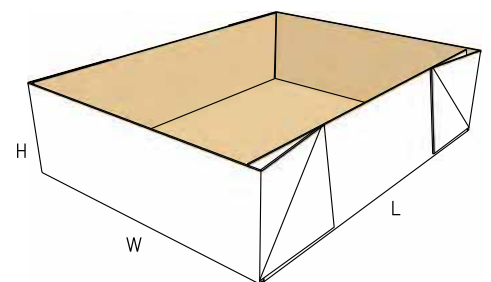
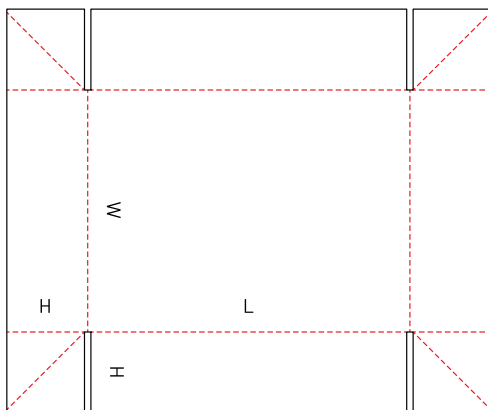
B446 A



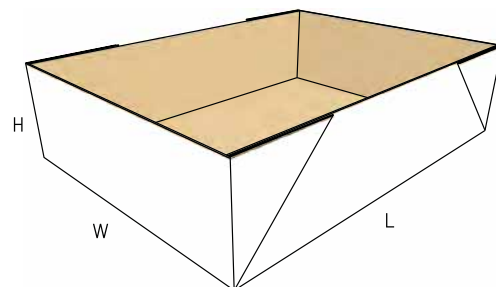
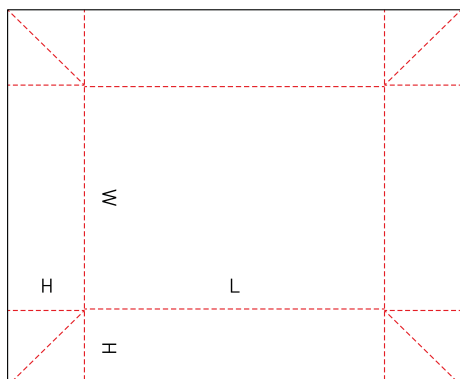
B447 M



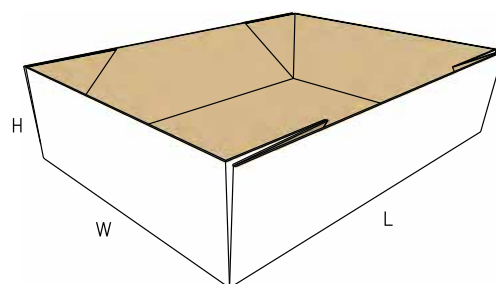
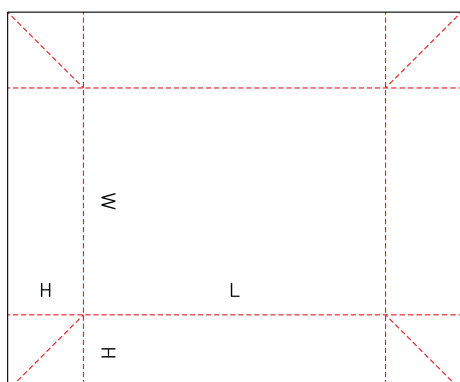
B448 M



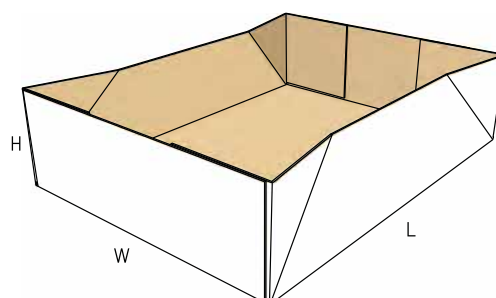
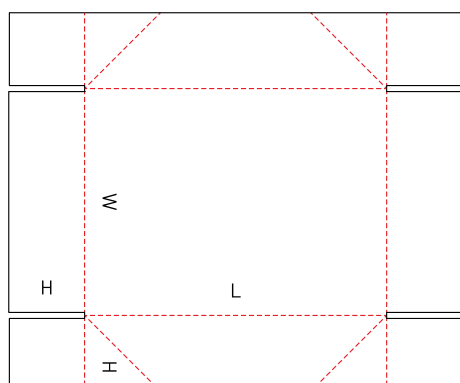
B449 M



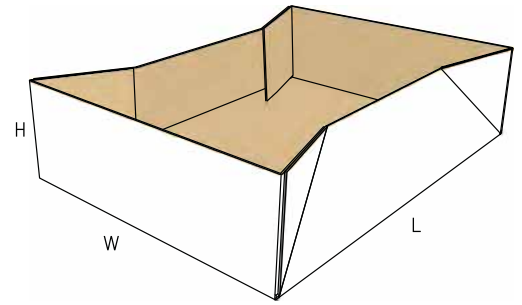
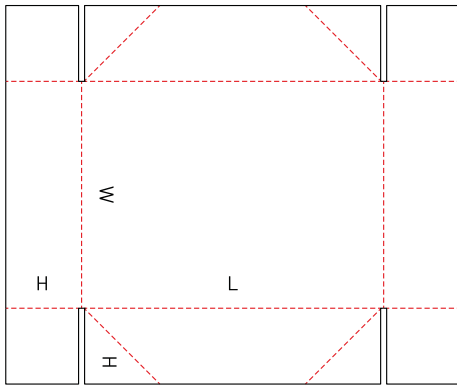
B449.1 M



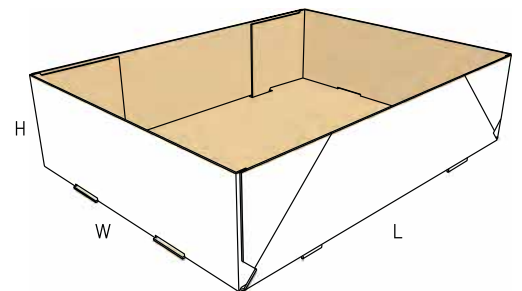
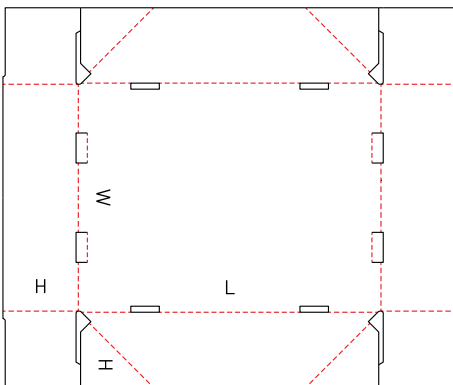
B450 M



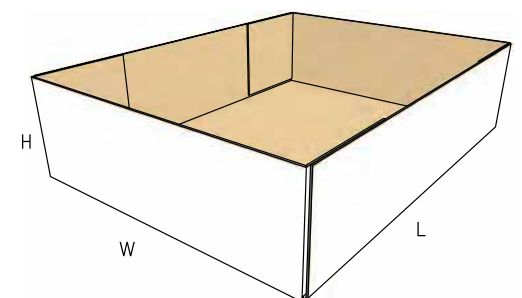
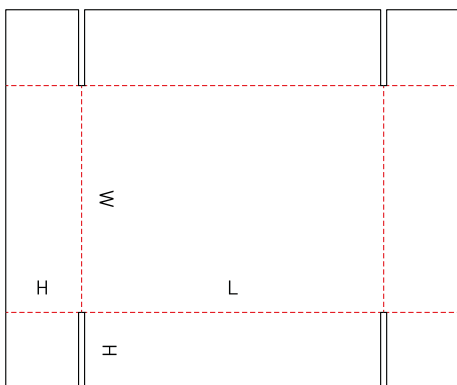
B451 M



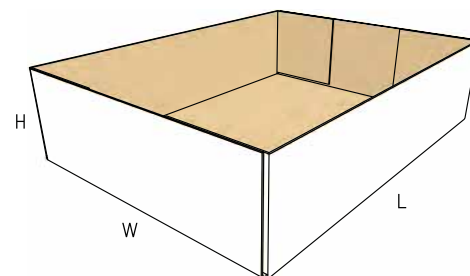
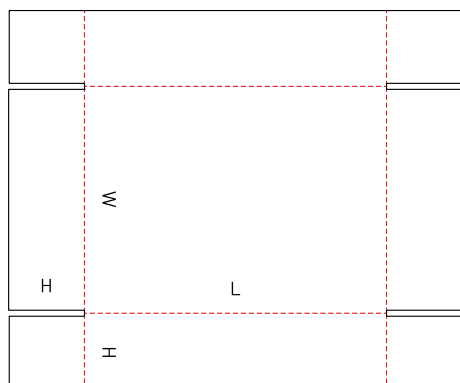
B451.1 M



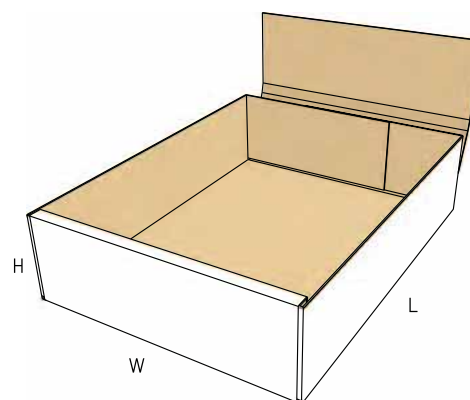
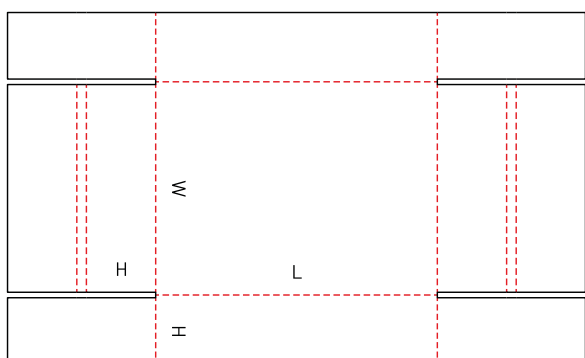
B452 A



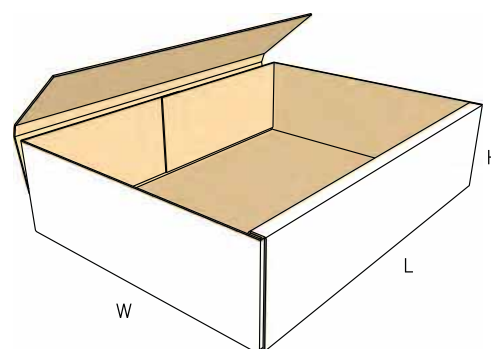
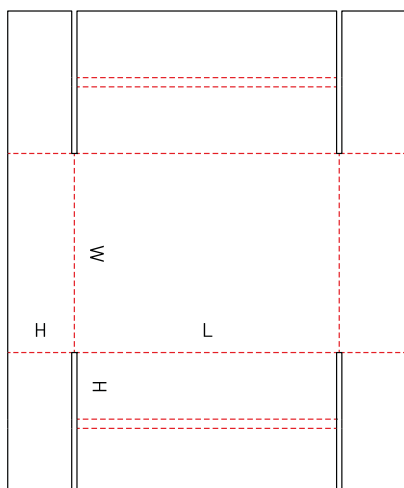
B453 A



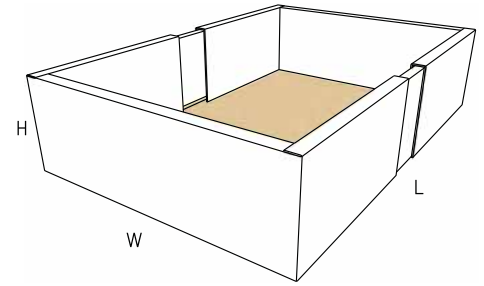
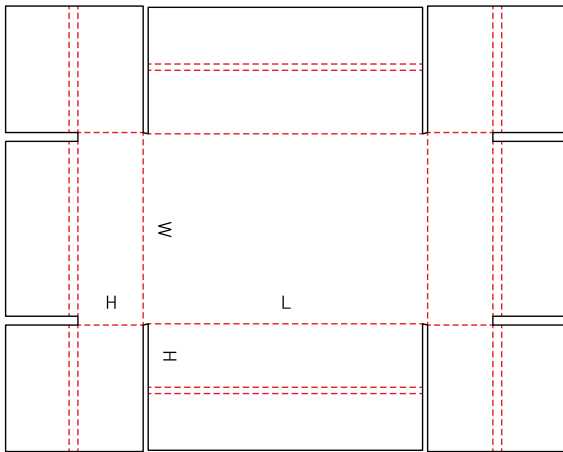
B454 M



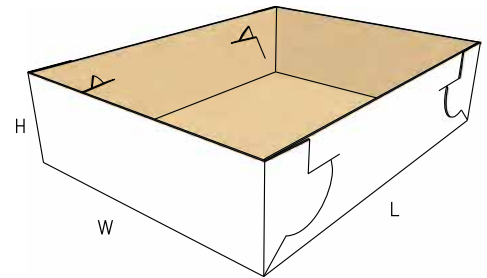
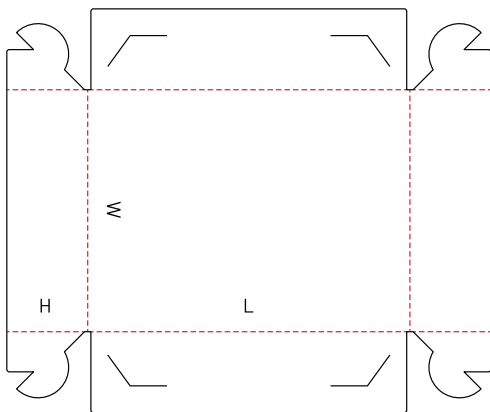
B455 M



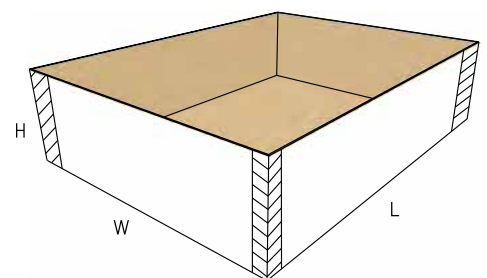
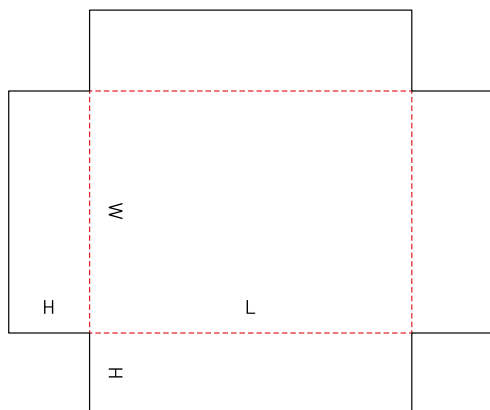
B456 M



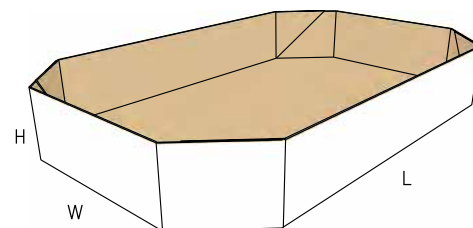
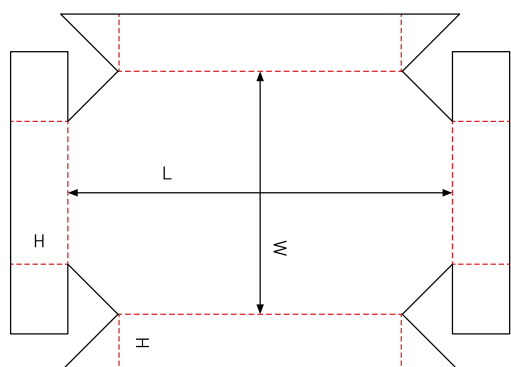
B457 M



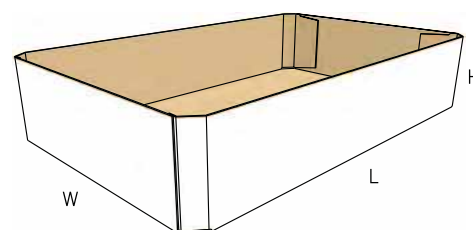
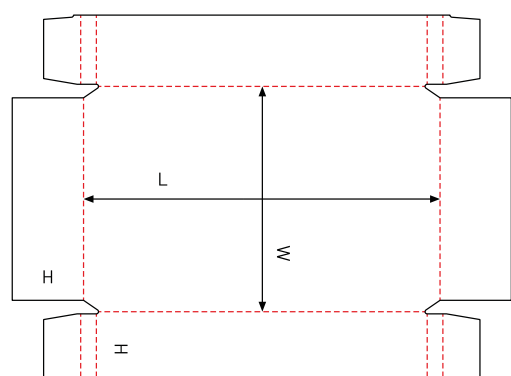
B458 M



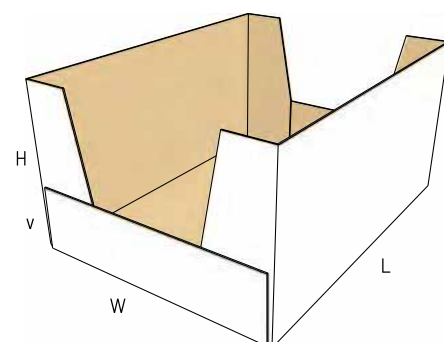
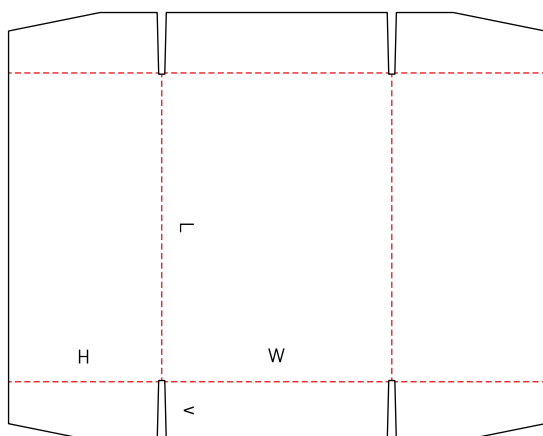
B459 A



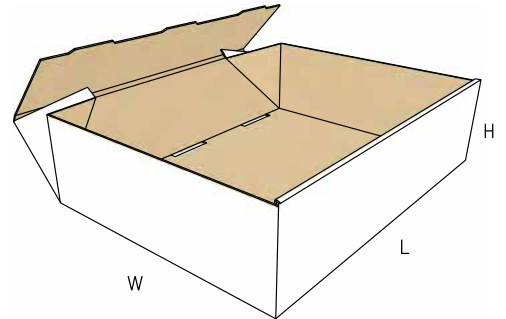
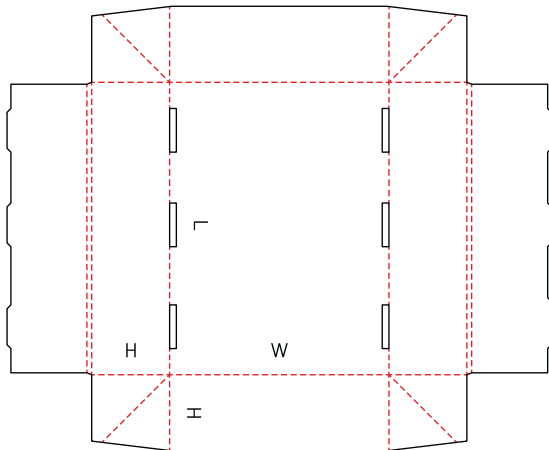
B459.1 A



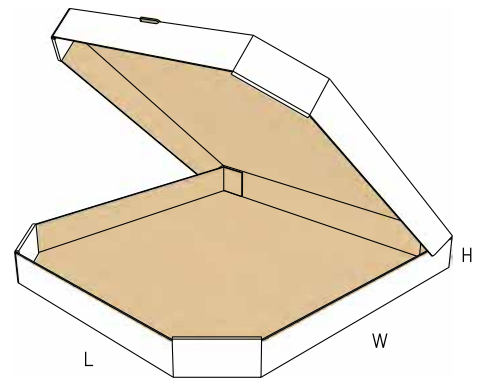
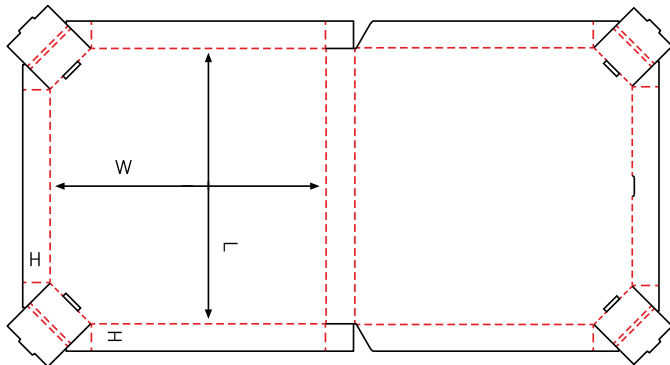
B460 A



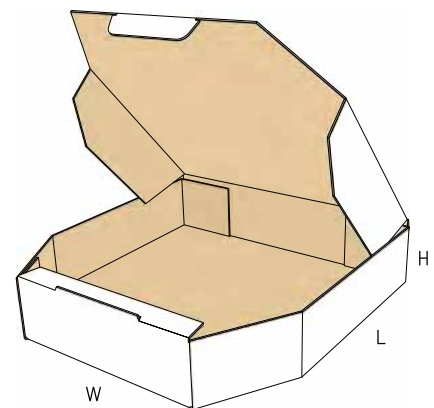
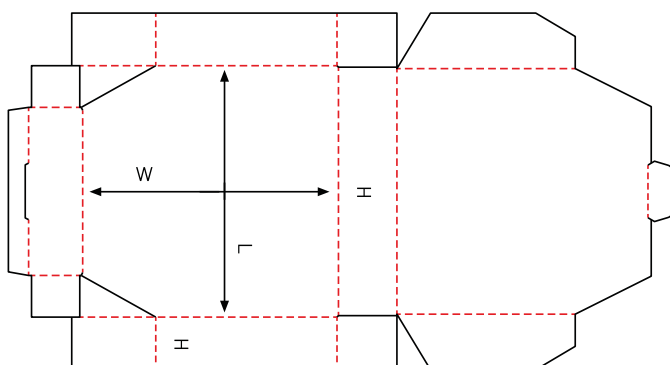
B461 M/A



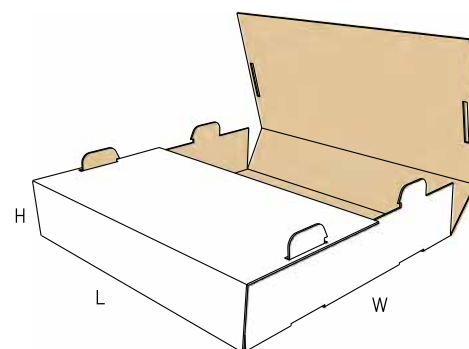
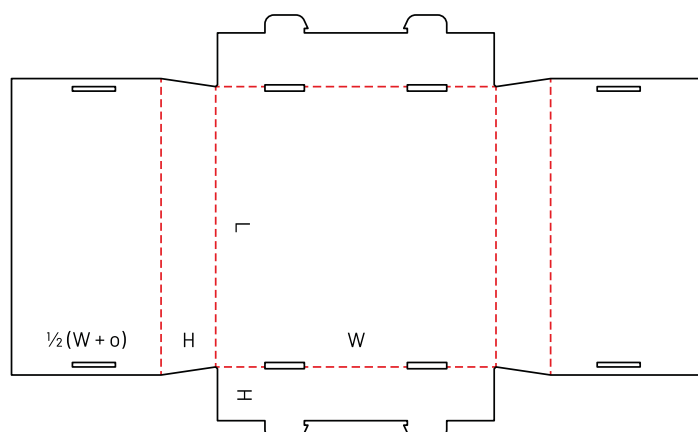
B462 M



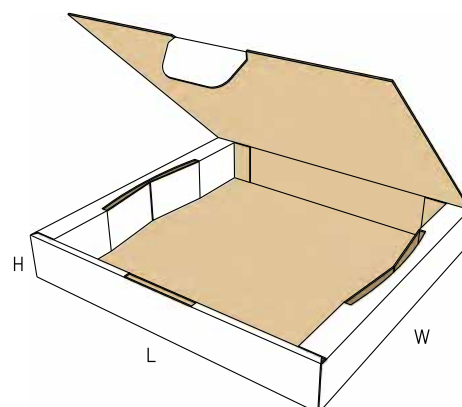
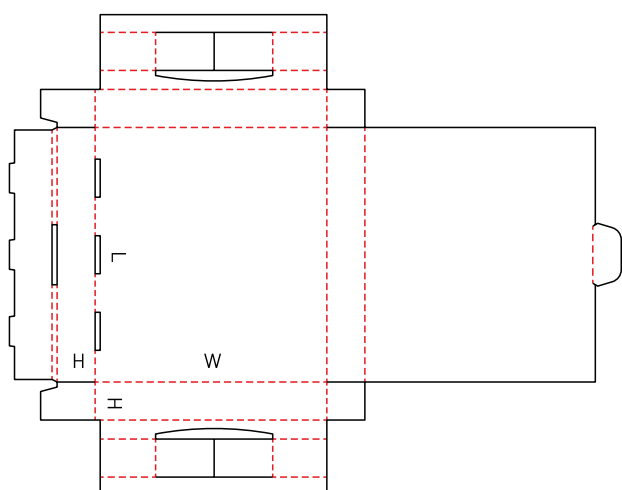
B463 M



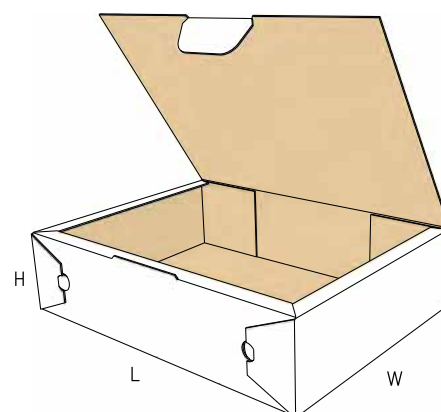
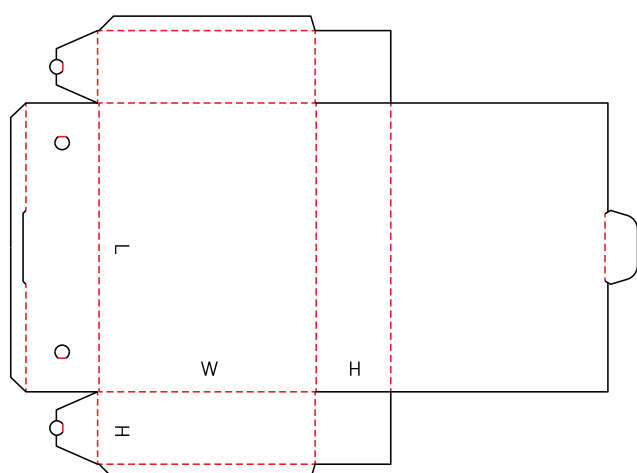
B464 M



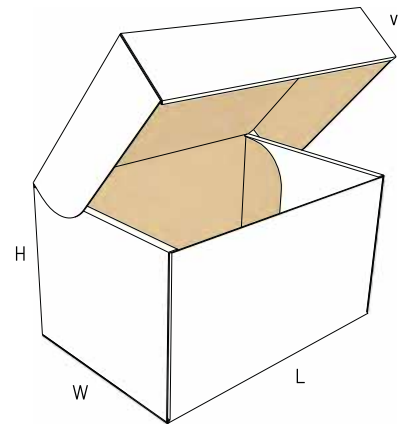
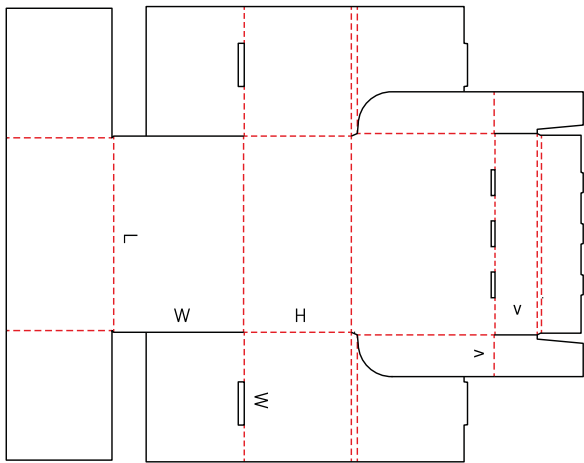
B465 M



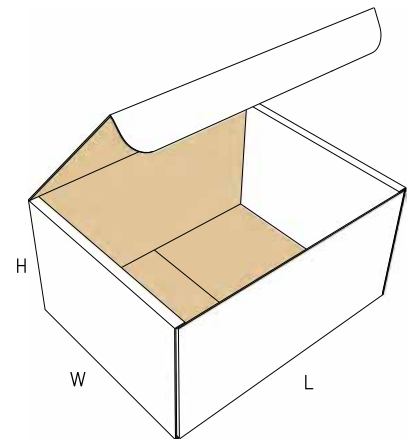
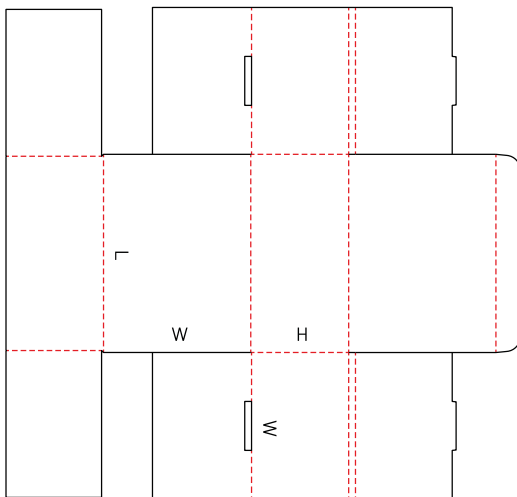
B466 M



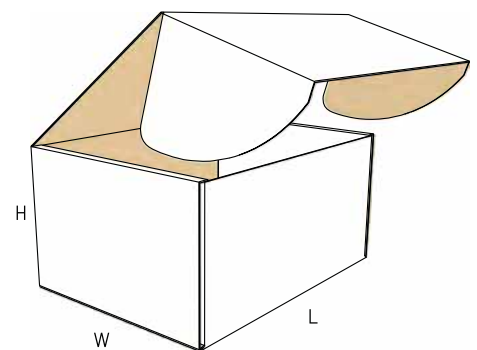
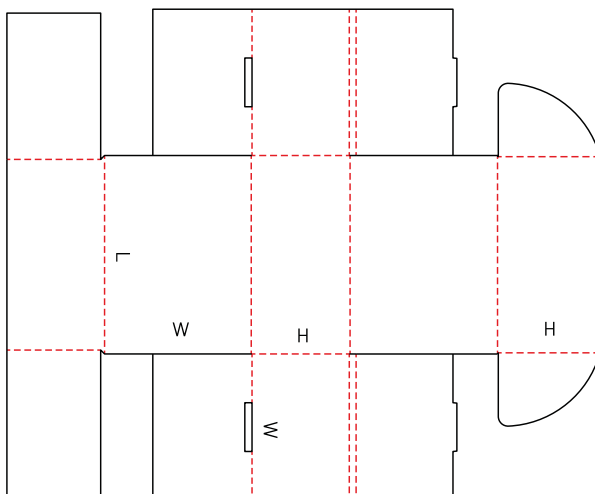
B469 M



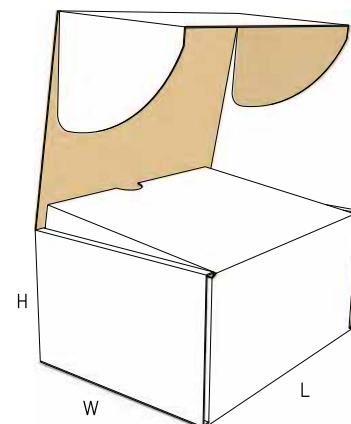
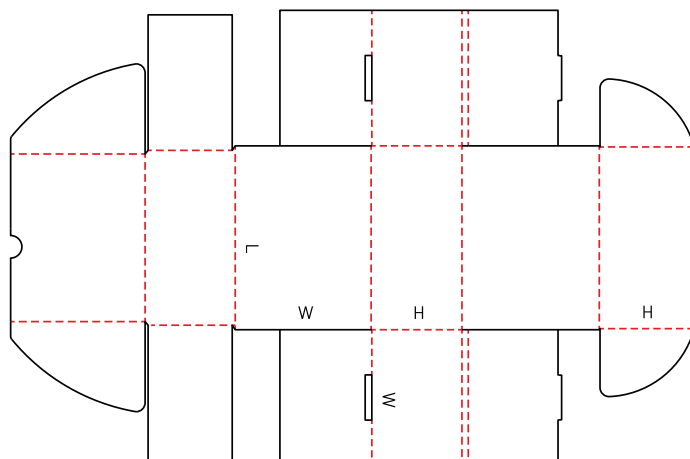
B470 M



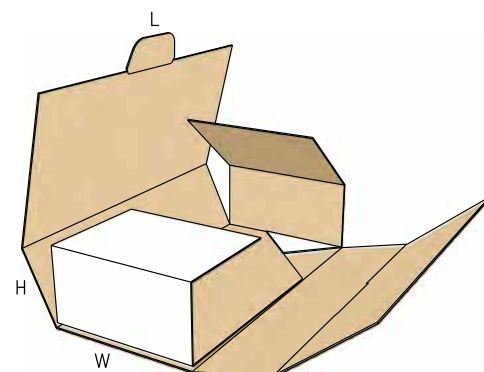
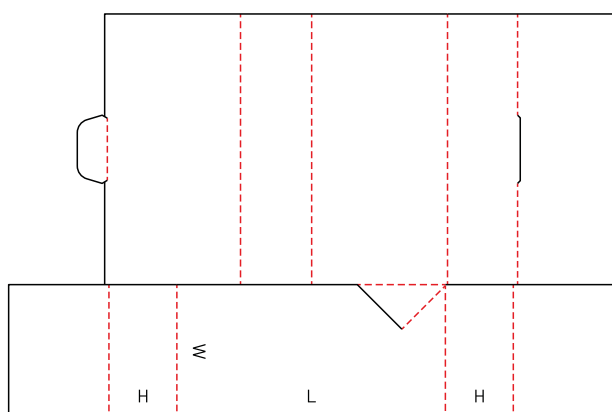
B471 M



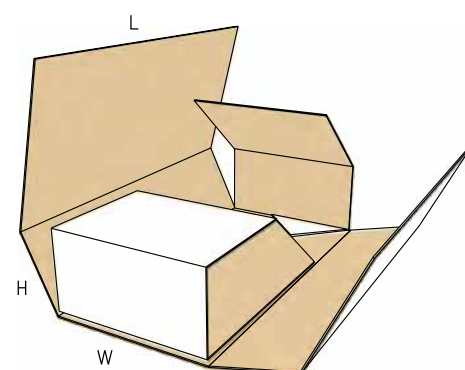
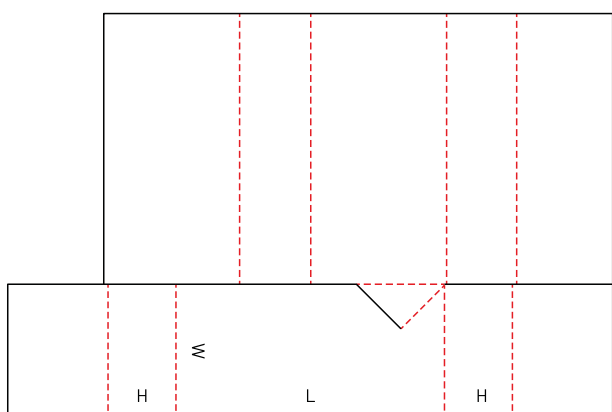
B472 M



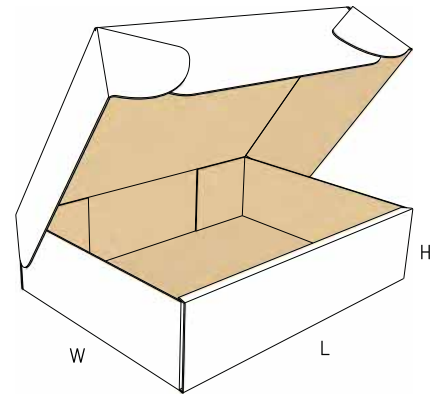
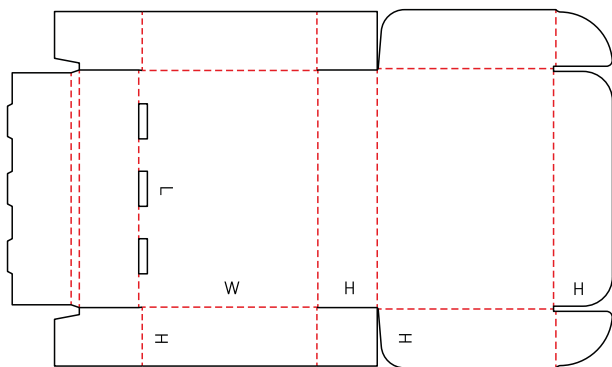
B473 M



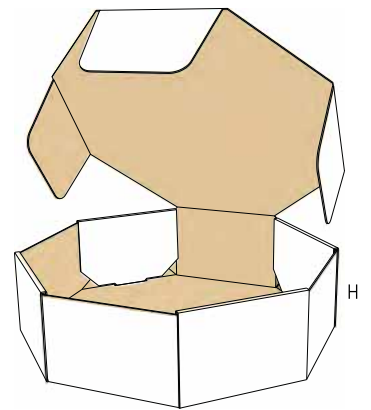
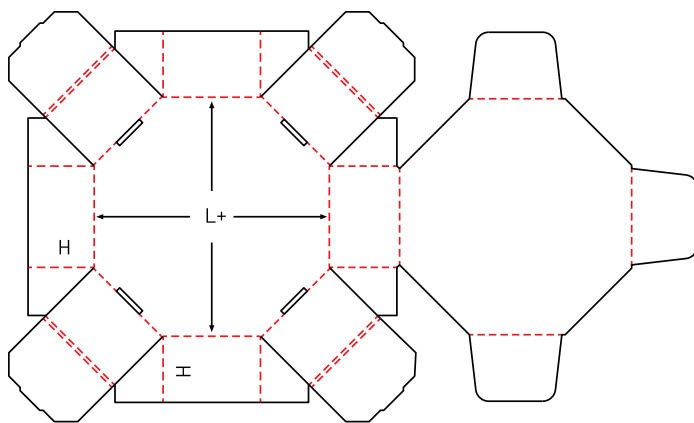
B474 M



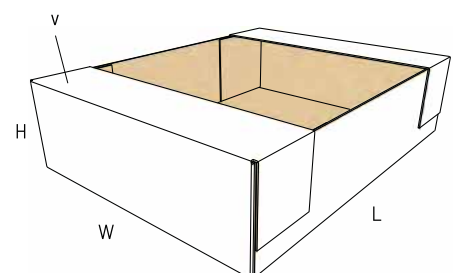
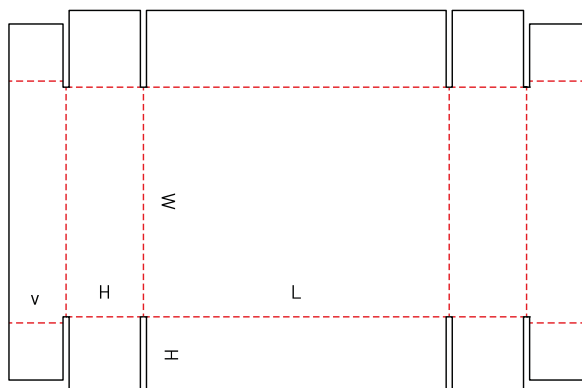
B475 M



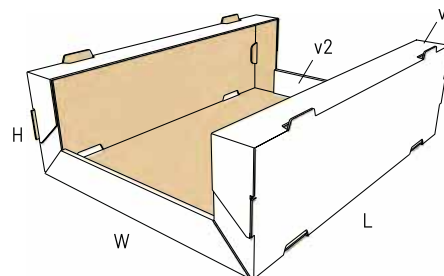
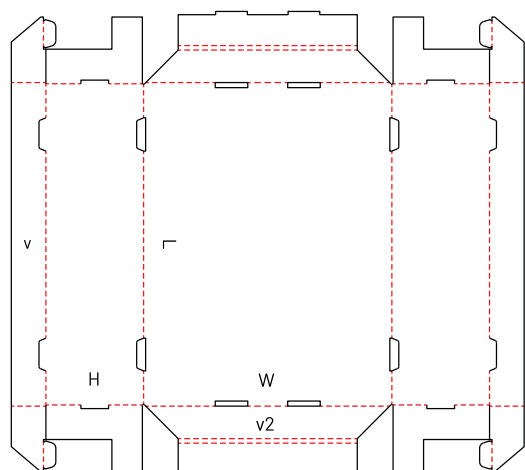
B476 M



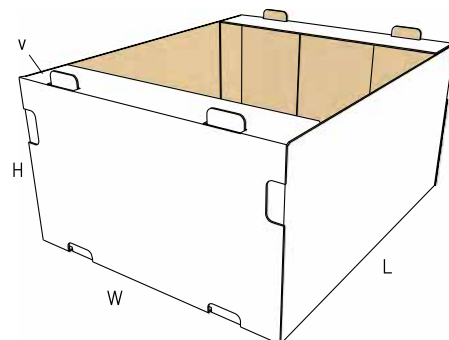
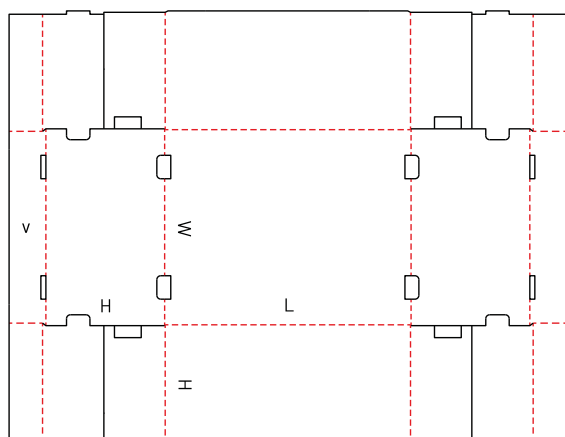
B480 A



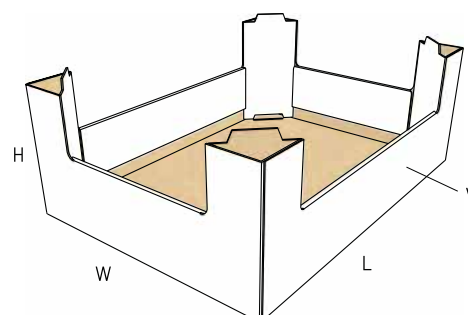
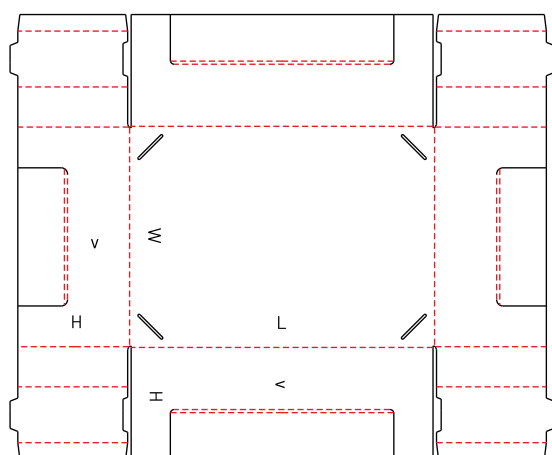
B481 M



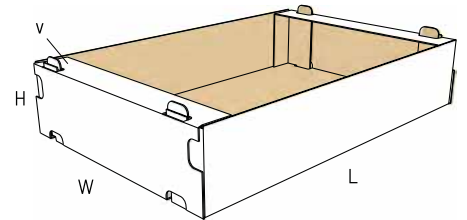
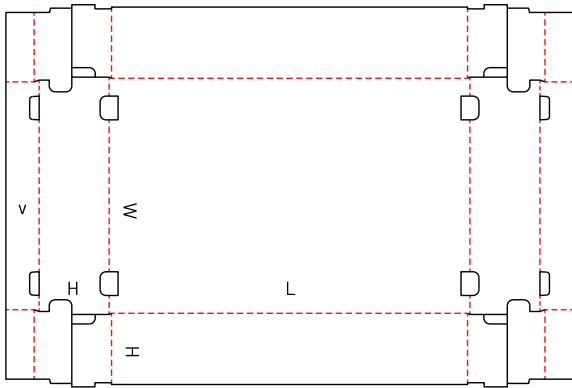
B482 M



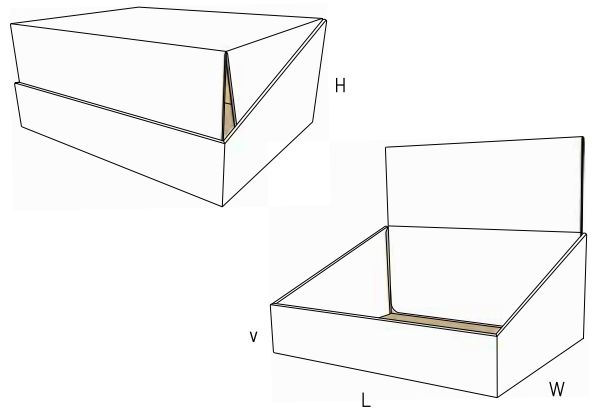
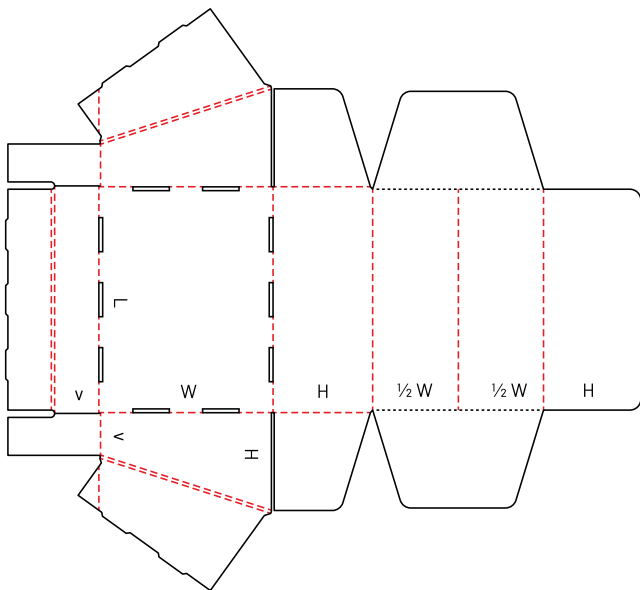
B483 A



B484 M



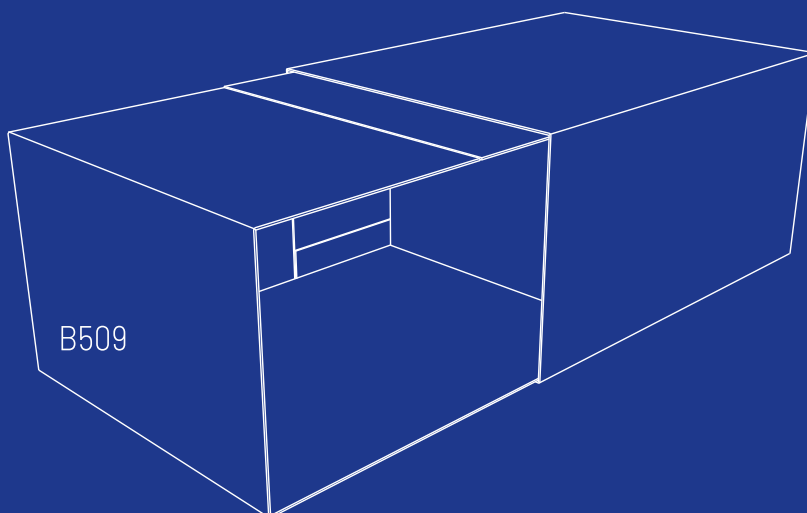
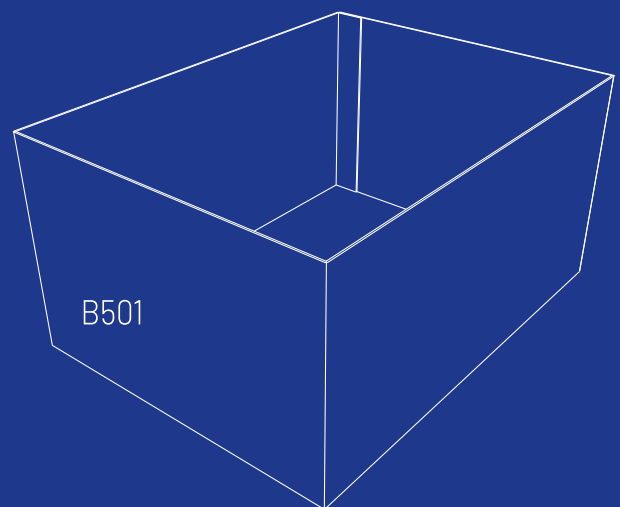
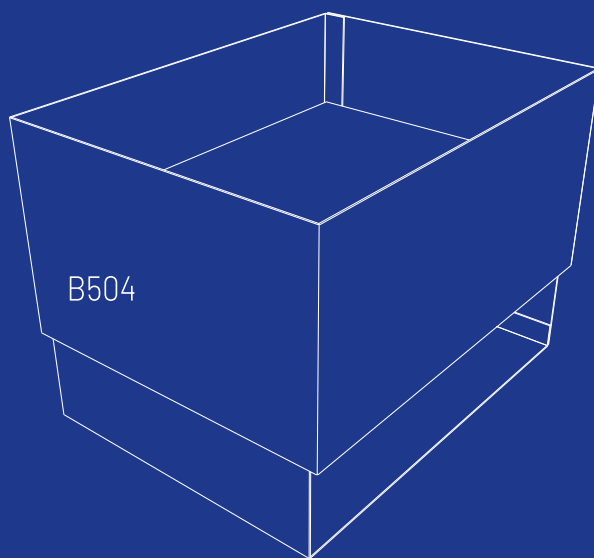
B485 M



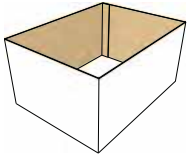
SLIDE BOXES

Slide boxes consist of several pieces of liners and sleeves sliding in different directions into each other.

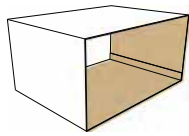
This group also includes outside sleeves for other cases.



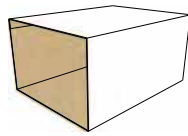
B501_M



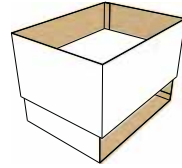
B502_M



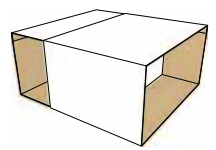
B503_M



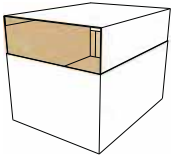
B504_M



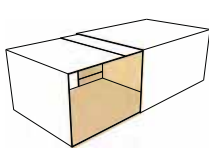
B505_M



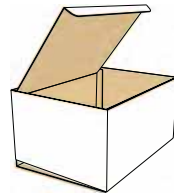
B507_M



B509_M



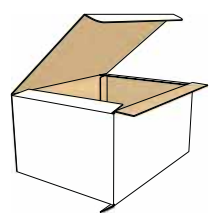
B510_M



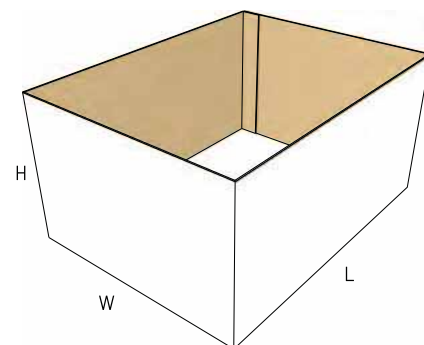
B511_M



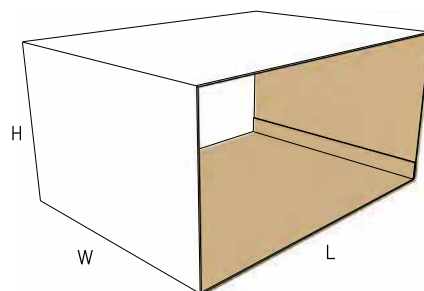
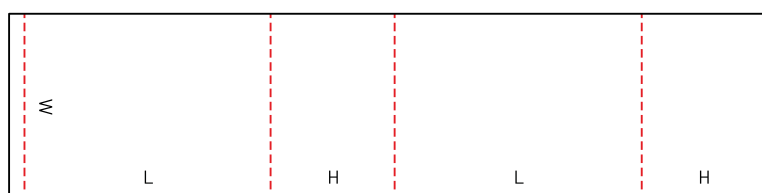
B512_M



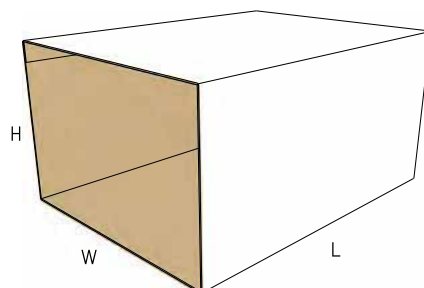
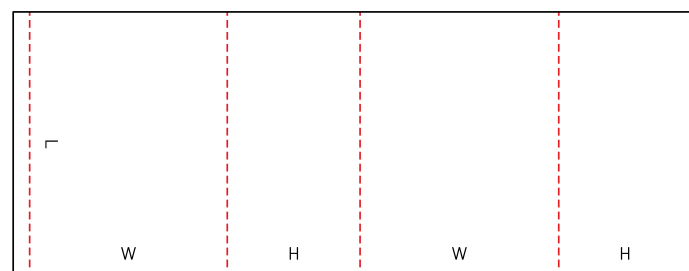
B501 M



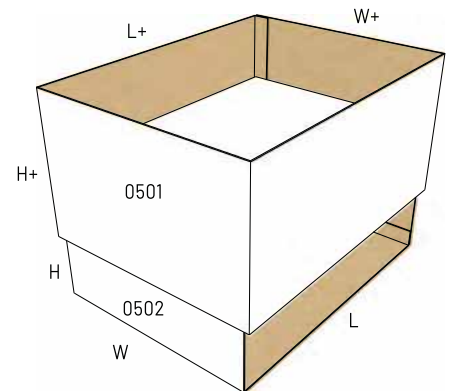
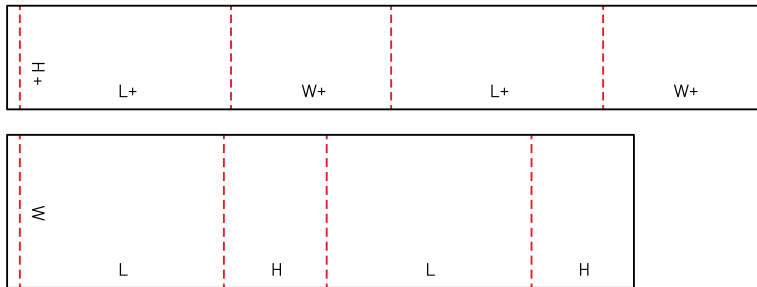
B502 M



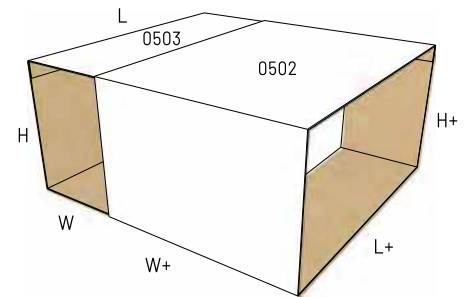
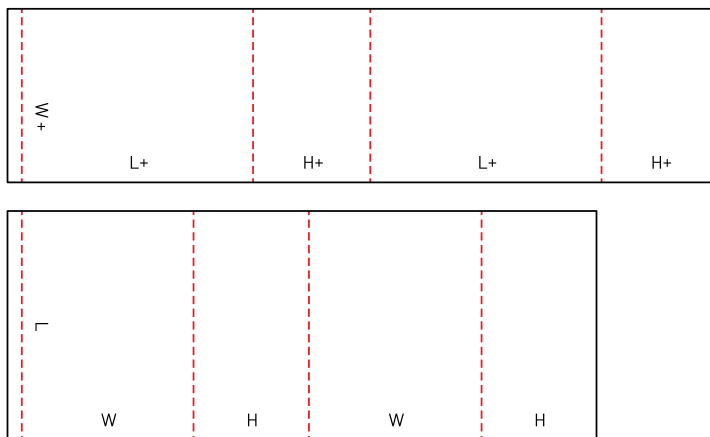
B503 M



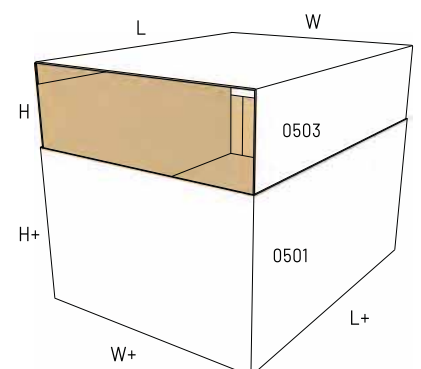
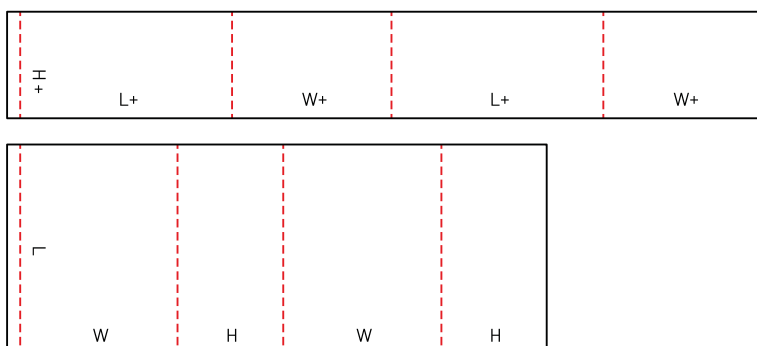
B504 M



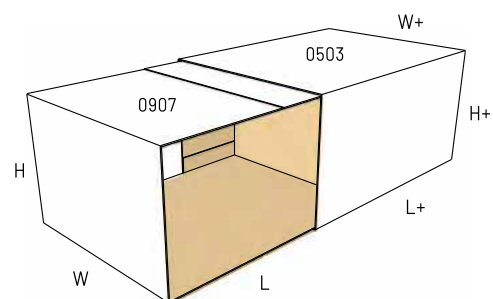
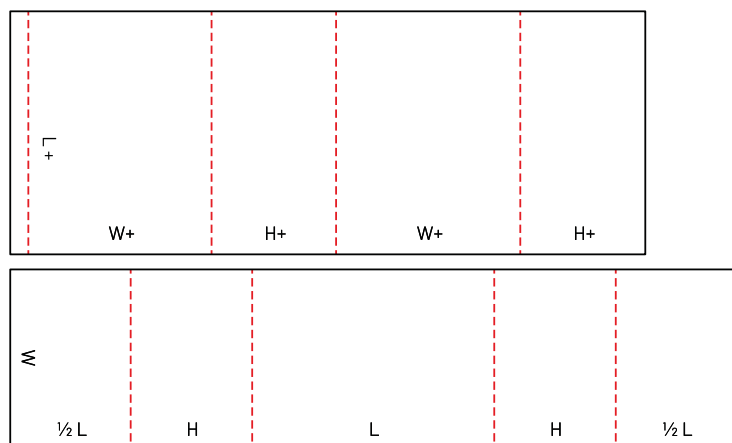
B505 M



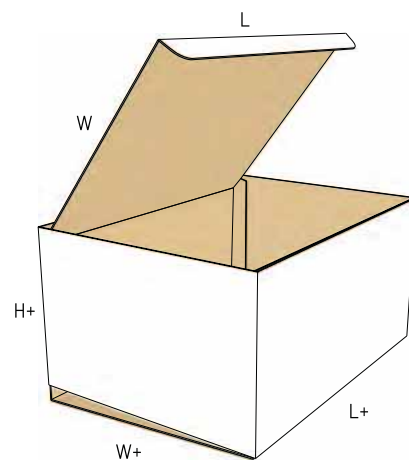
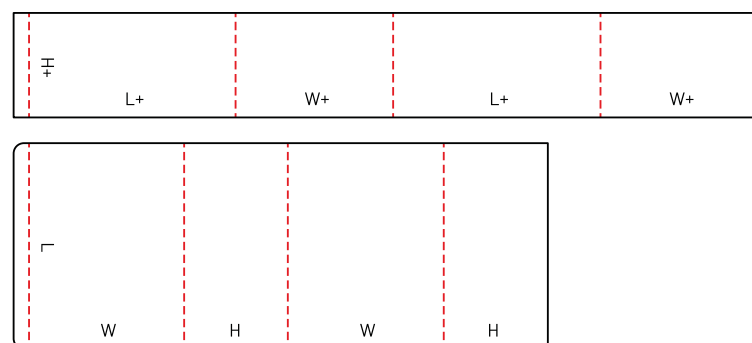
B507 M



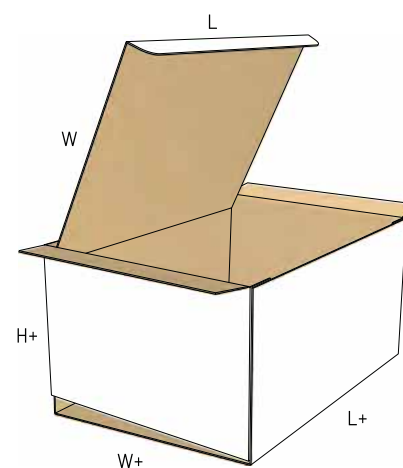
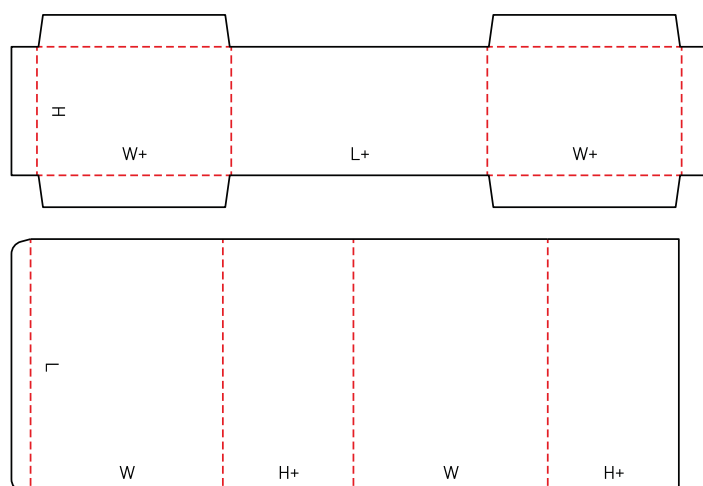
B509 M



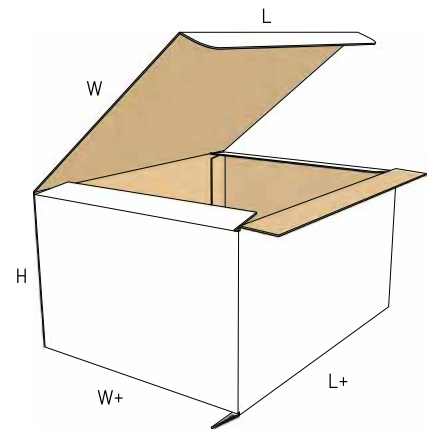
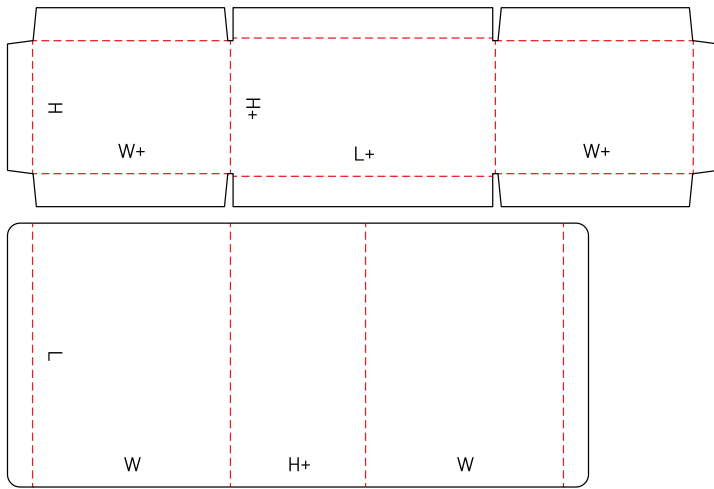
B510 M



B511 M

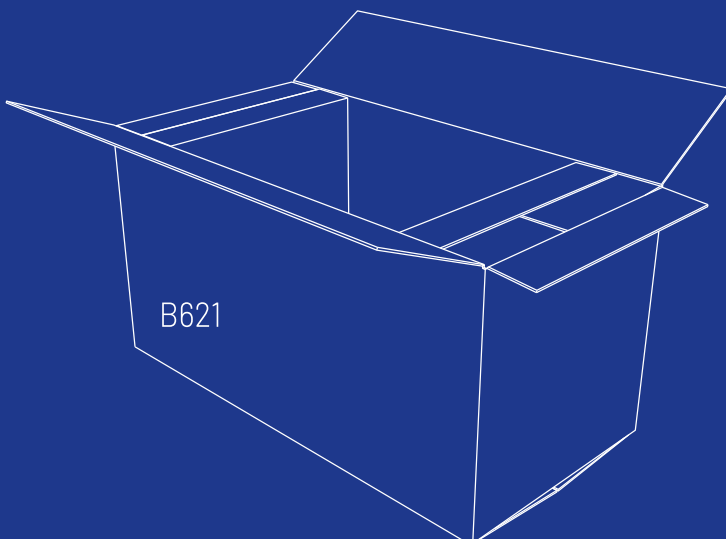
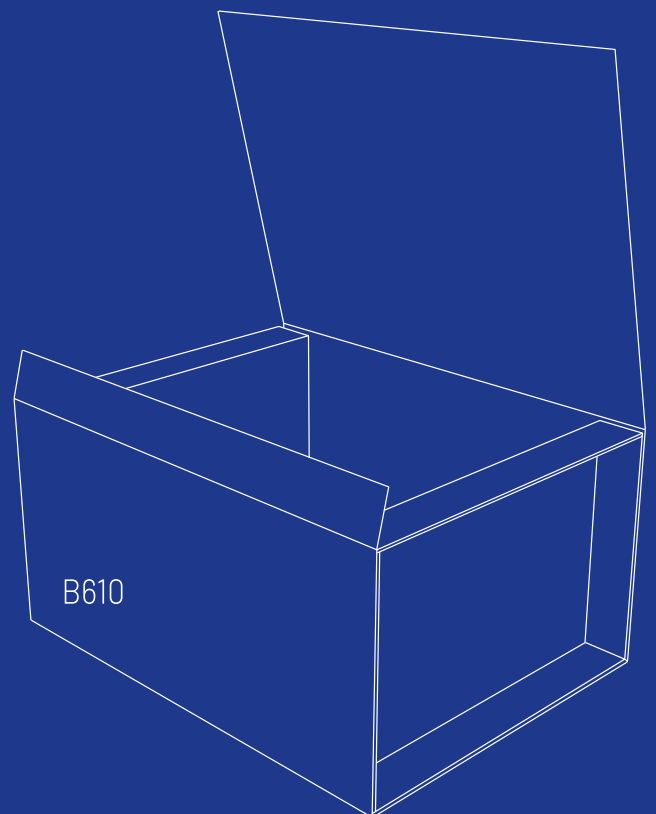
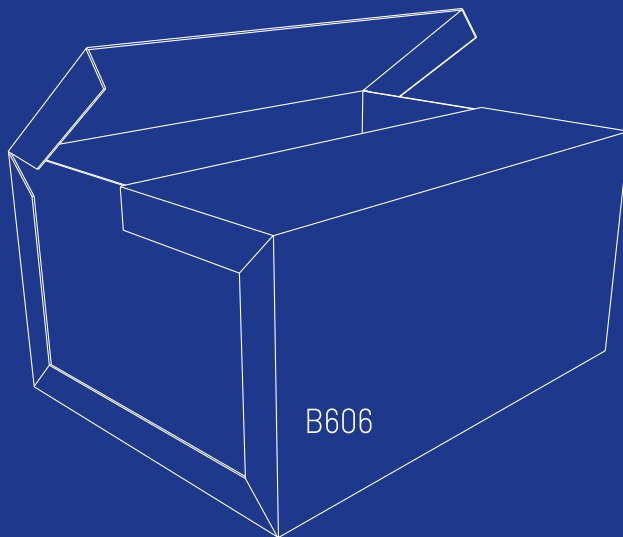


B512 M

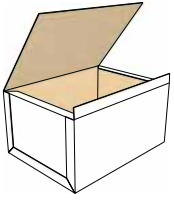


RIDIG BOXES

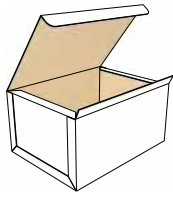
Rigid boxes consist of two separate end pieces and a body that require stitching or a similar operation before they can be used.



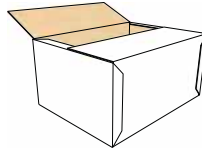
B601_A



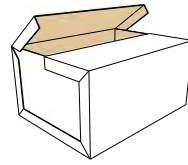
B602_A



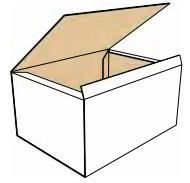
B605_A



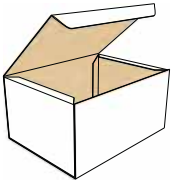
B606_A



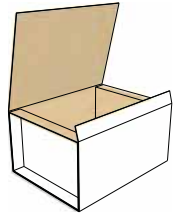
B607_A



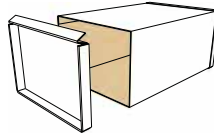
B608_A



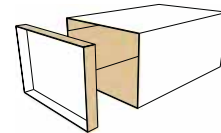
B610_{M/A}



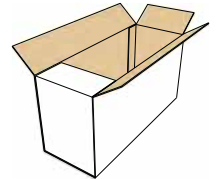
B615_{M/A}



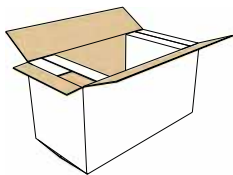
B616_{M/A}



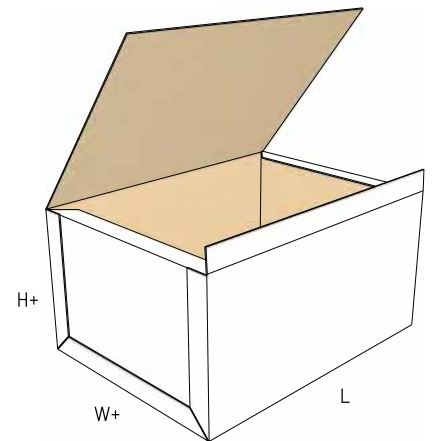
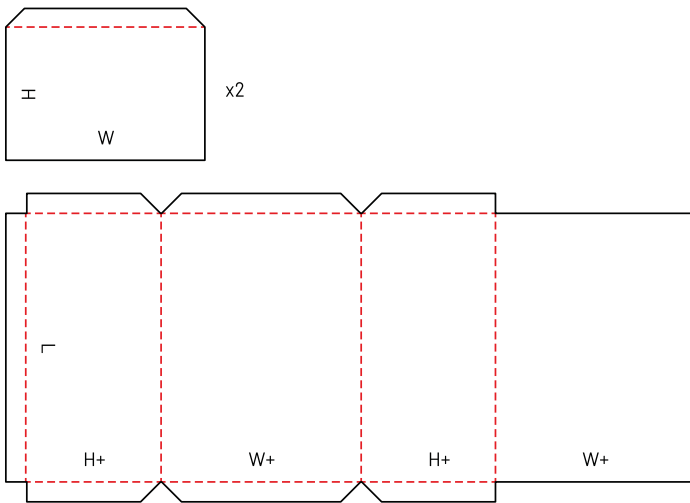
B620_A



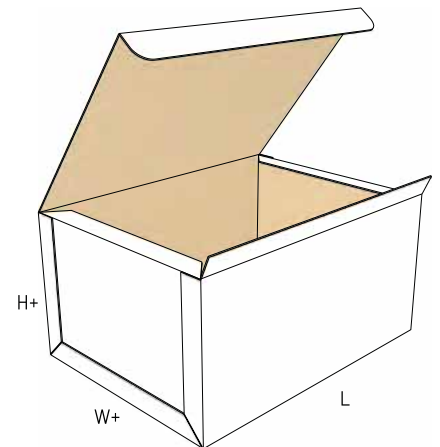
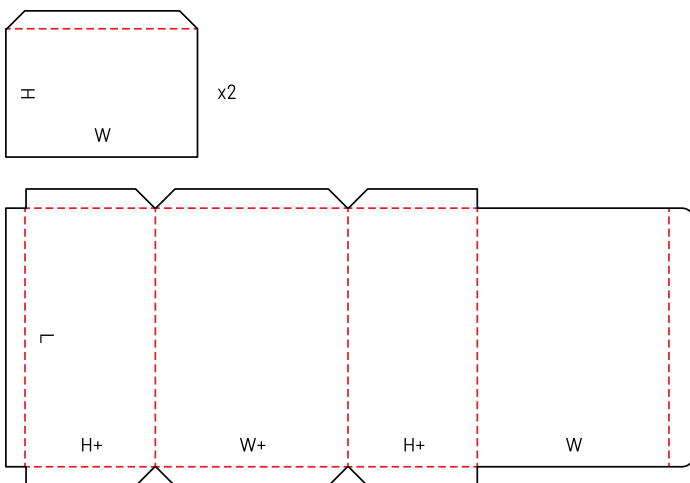
B621_M



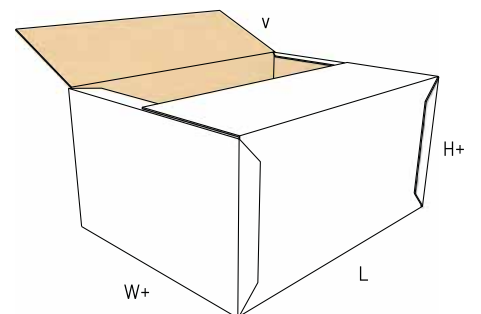
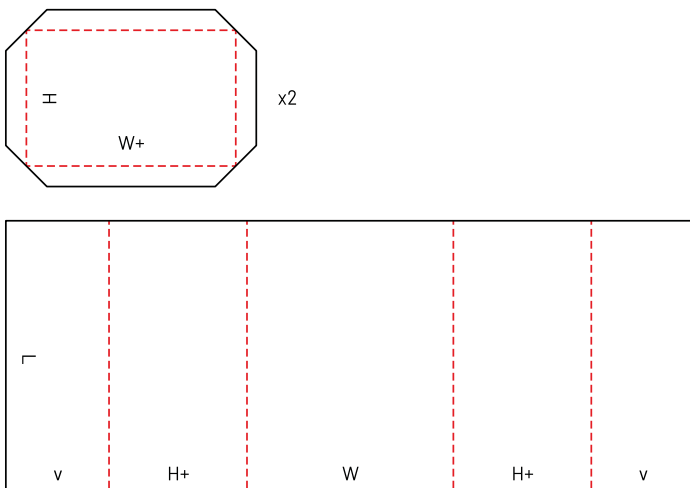
B601 A



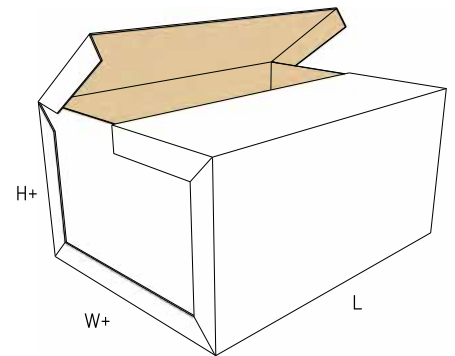
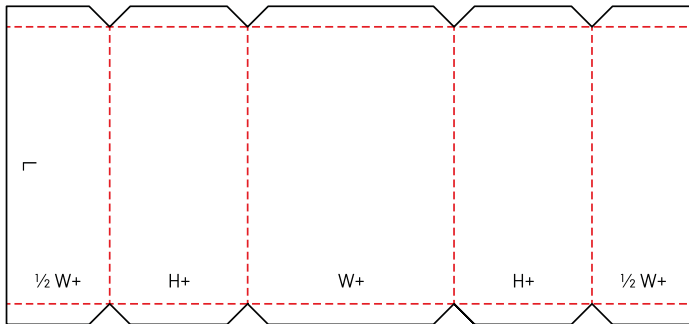
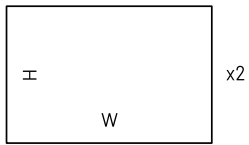
B602 A



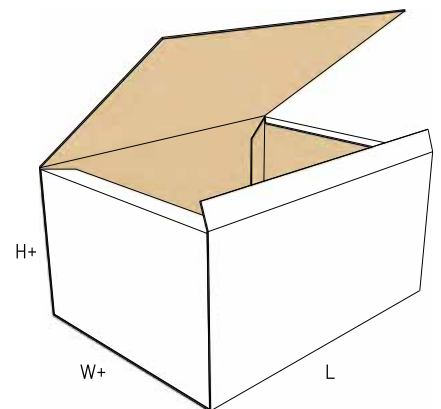
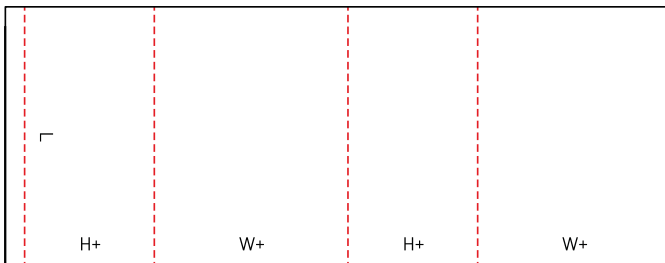
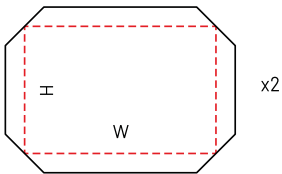
B605 A



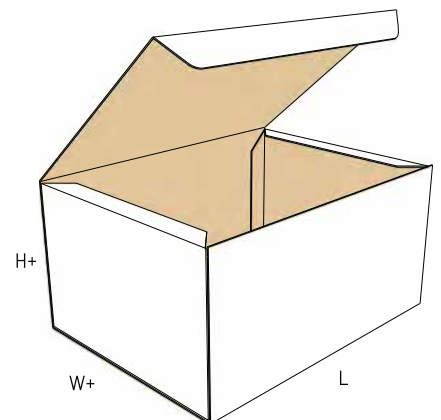
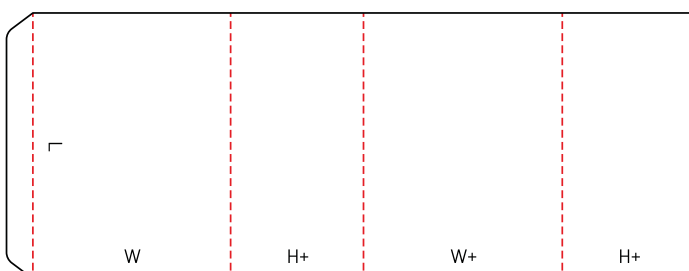
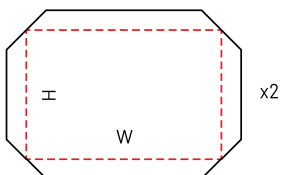
B606 A



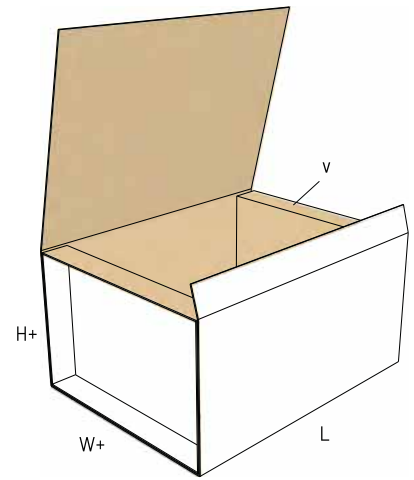
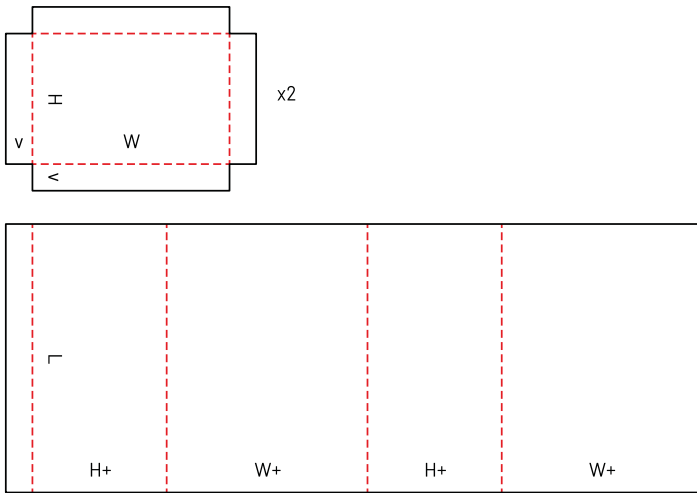
B607 A



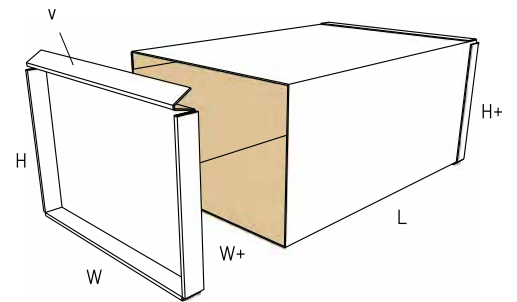
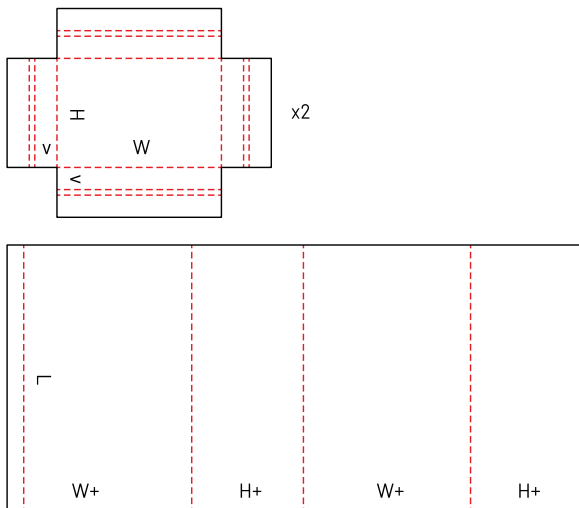
B608 A



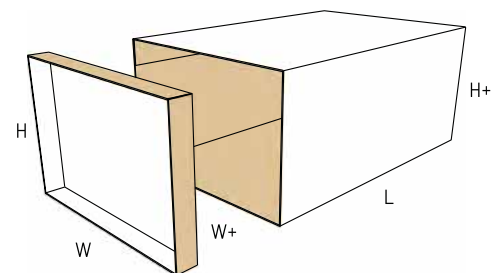
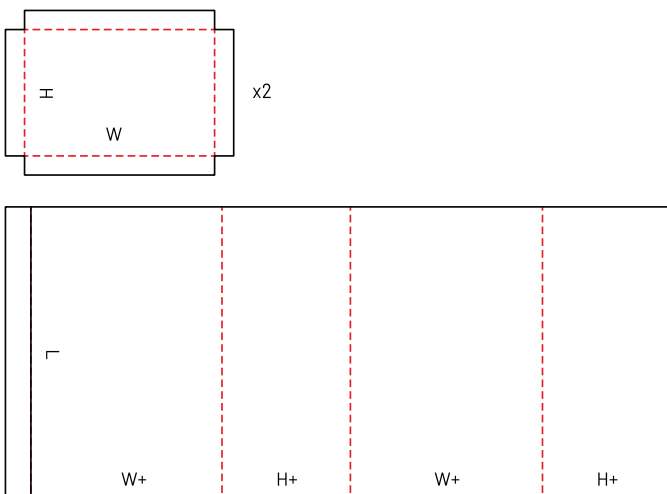
B610 M/A



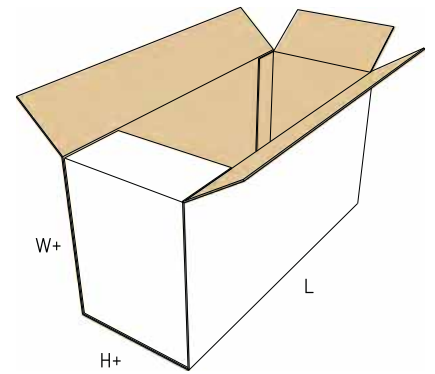
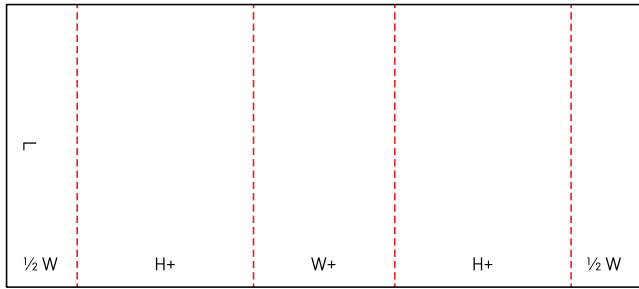
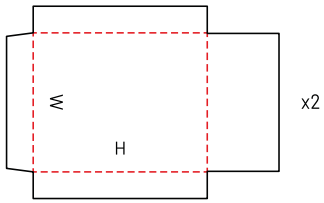
B615 M/A



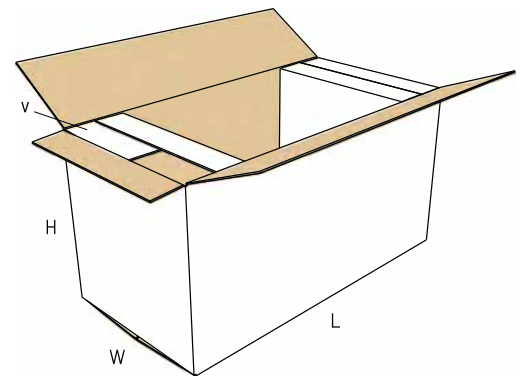
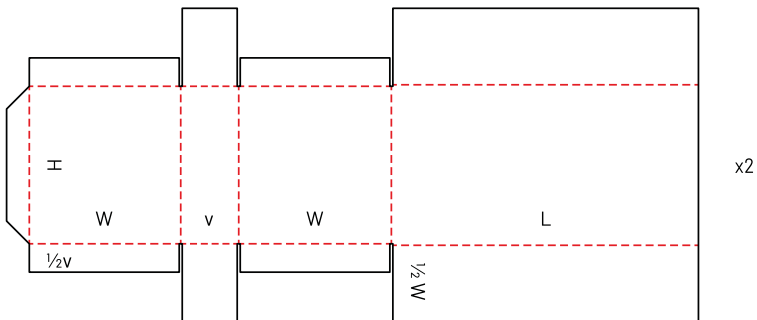
B616 M/A



B620 A

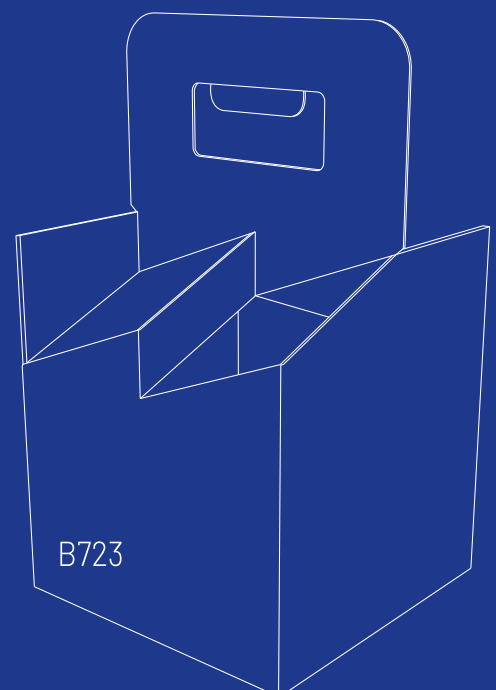
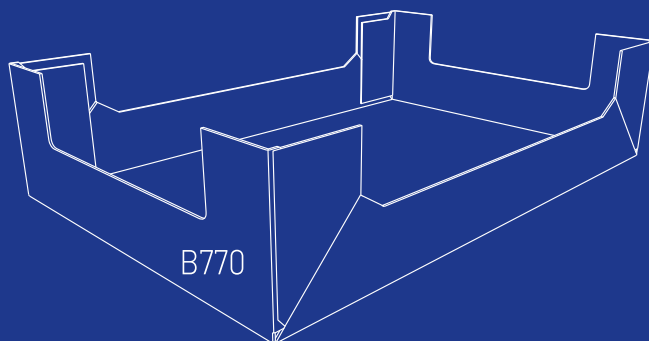
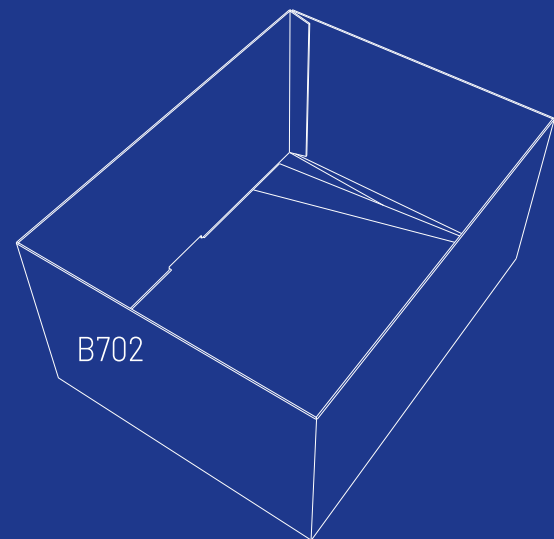
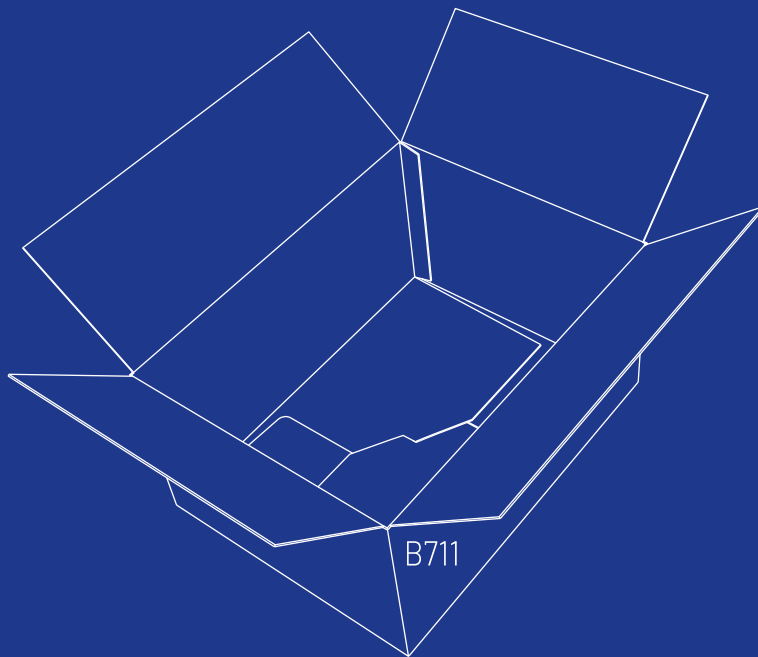


B621 M

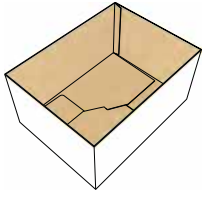


READY GLUED BOXES

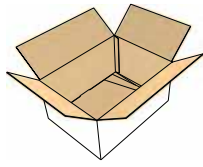
Ready-glued boxes basically consist of one piece,
Ships ready to use with a flat and simple installation.



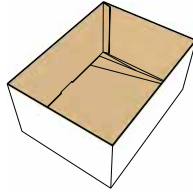
B700 M



B701 M



B702 M



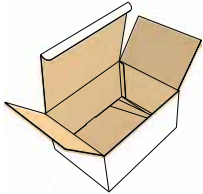
B703 M



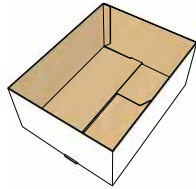
B704 M



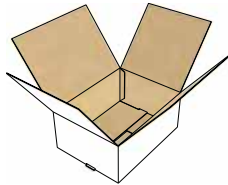
B705 M



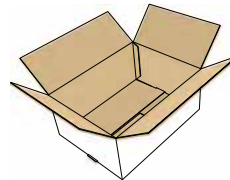
B706 M



B707 M



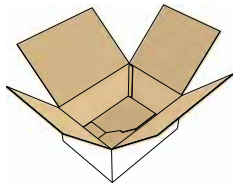
B708 M



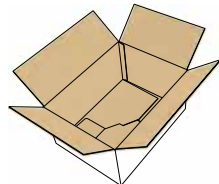
B709 M



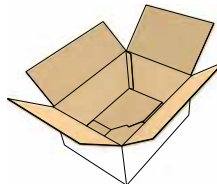
B710 M



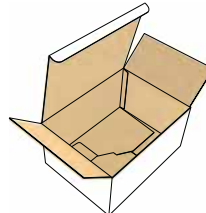
B711 M



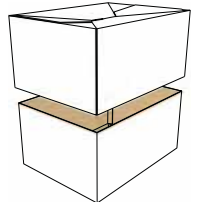
B712 M



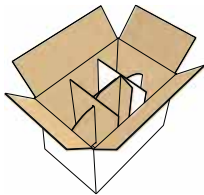
B713 M



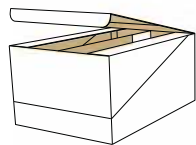
B714 M



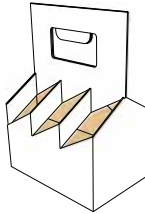
B715 M



B716 M



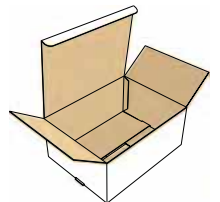
B717 M



B718 M



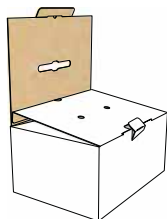
B719 M



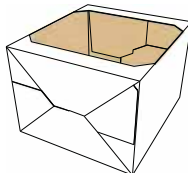
B720 M



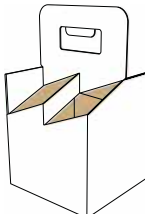
B721 M



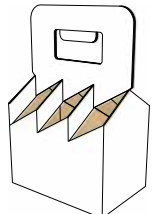
B722 M



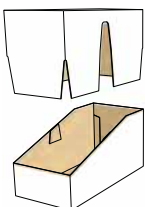
B723 M



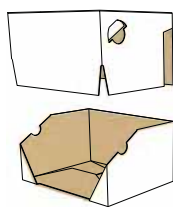
B724 M



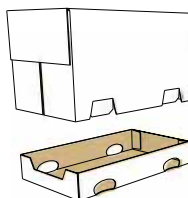
B725 M



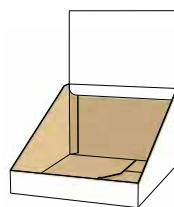
B726 M



B727 A



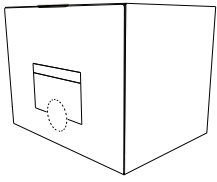
B728 M



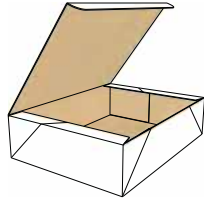
B730 M



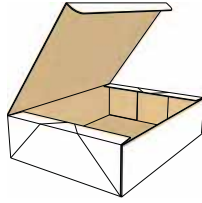
B740 M



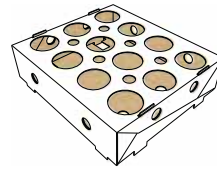
B747 M



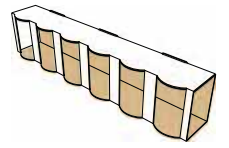
B748 M



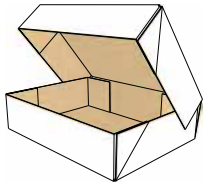
B751 M



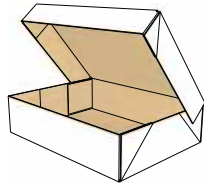
B752 M



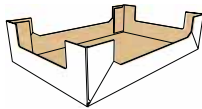
B759 M



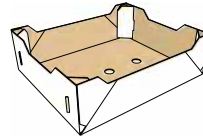
B761 M



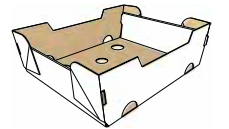
B770 M



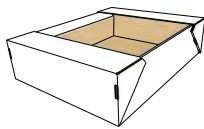
B771 M



B772 M



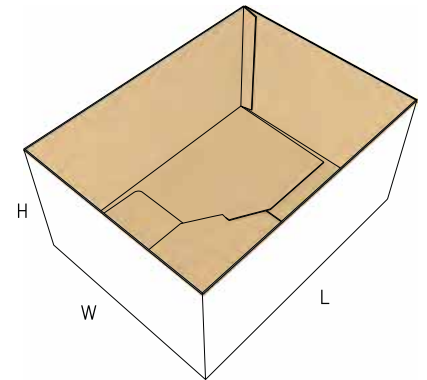
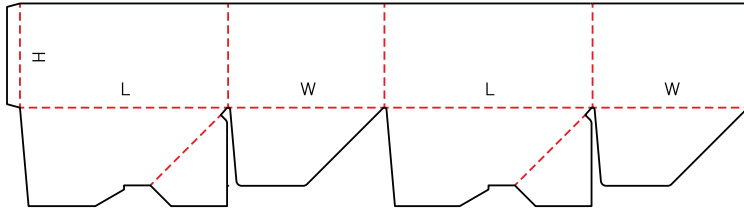
B773 M



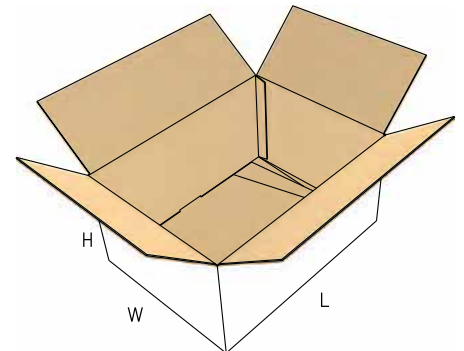
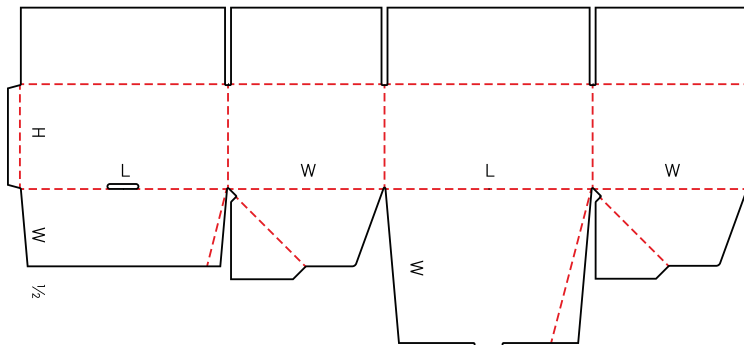
B774 M



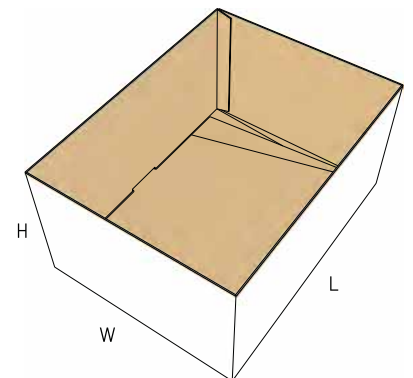
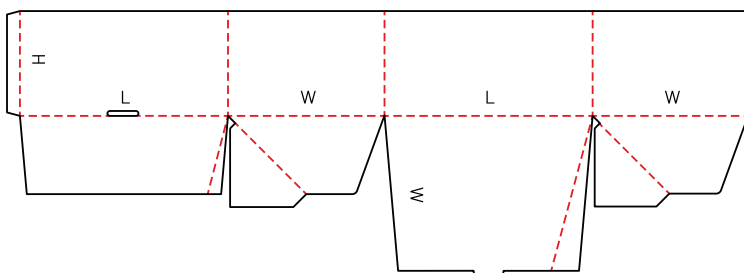
B700 M



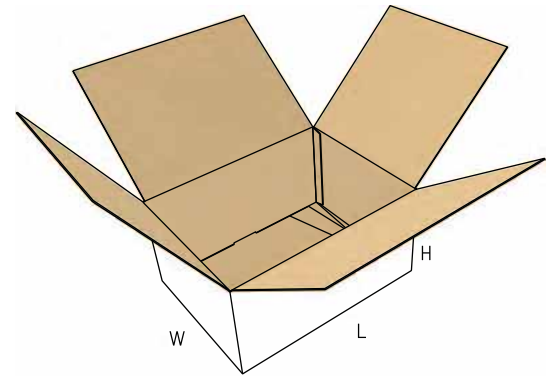
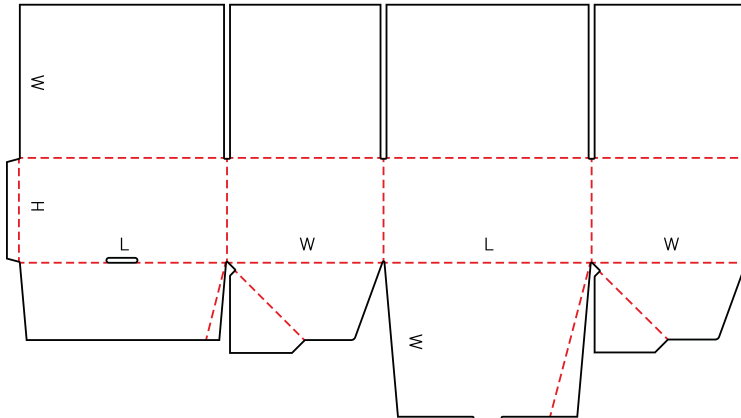
B701 M



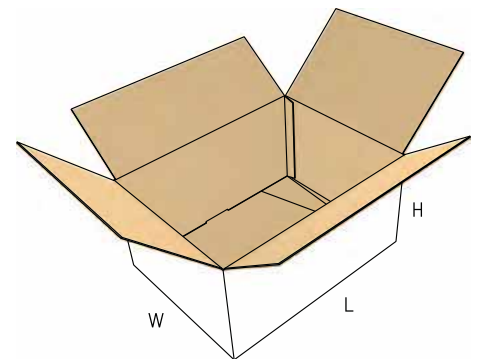
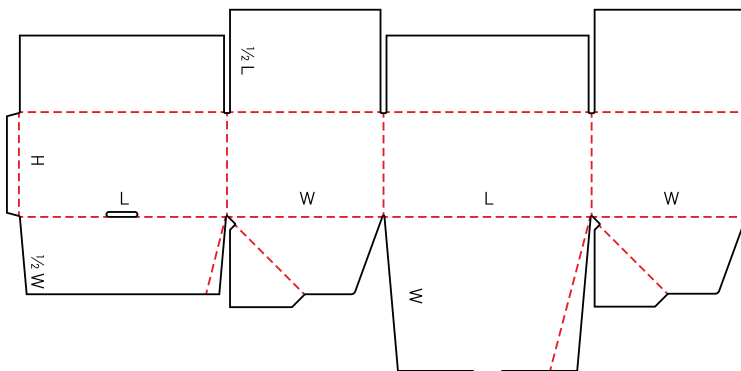
B702 M



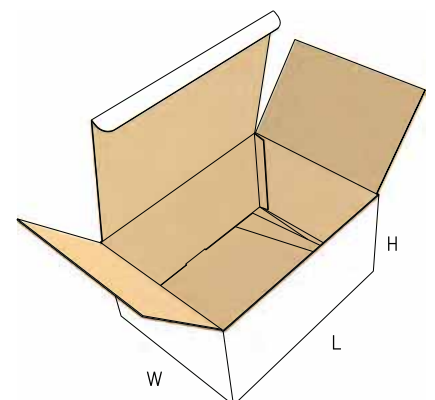
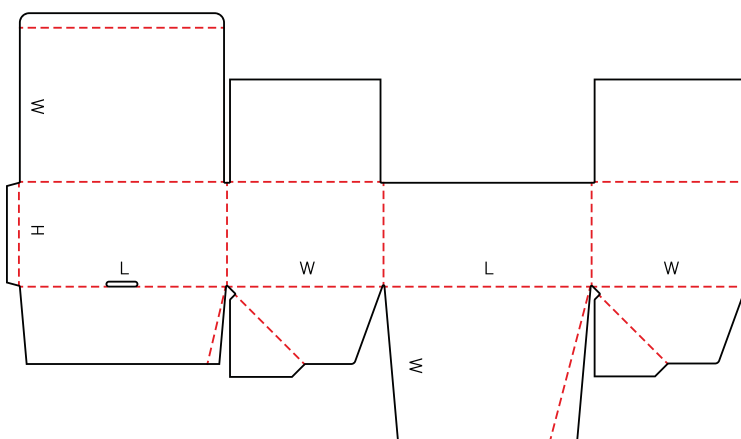
B703 M



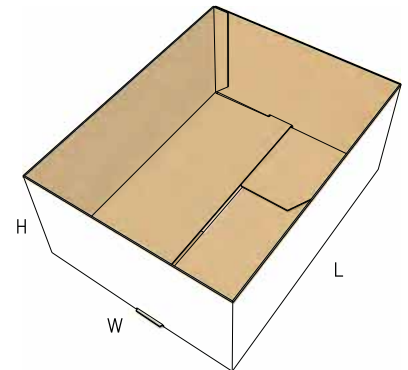
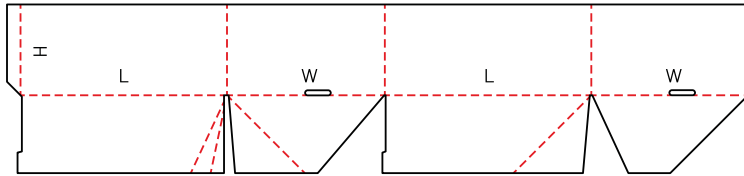
B704 M



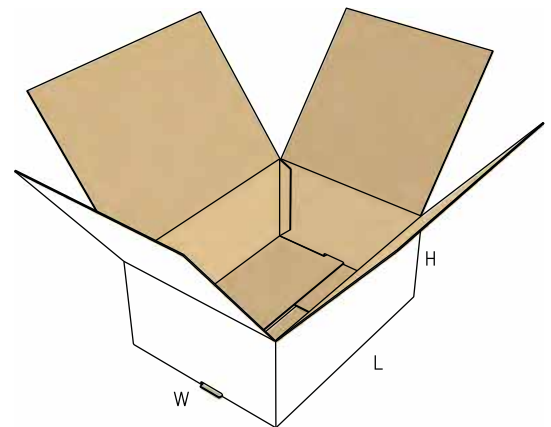
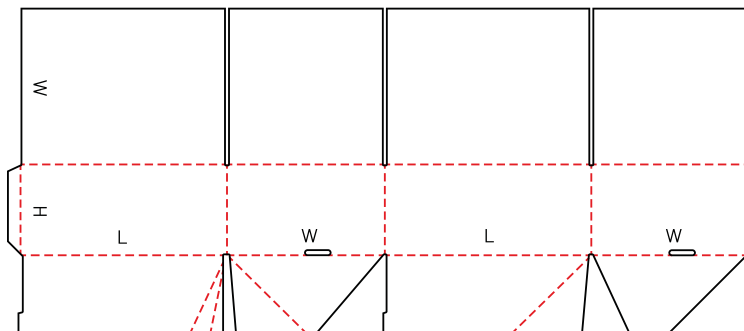
B705 M



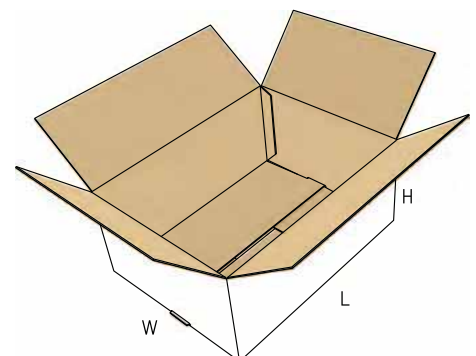
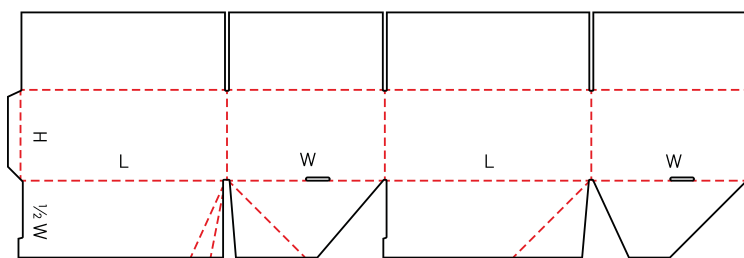
B706 M



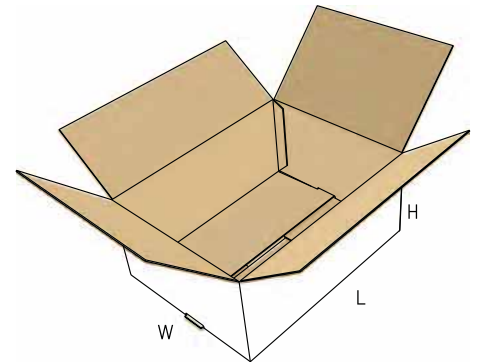
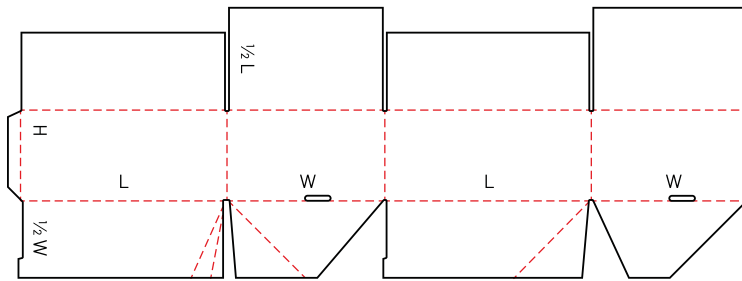
B707 M



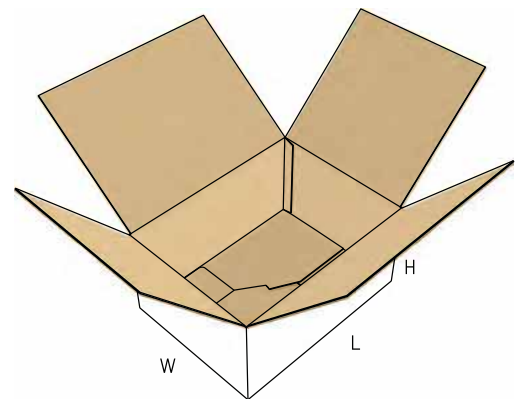
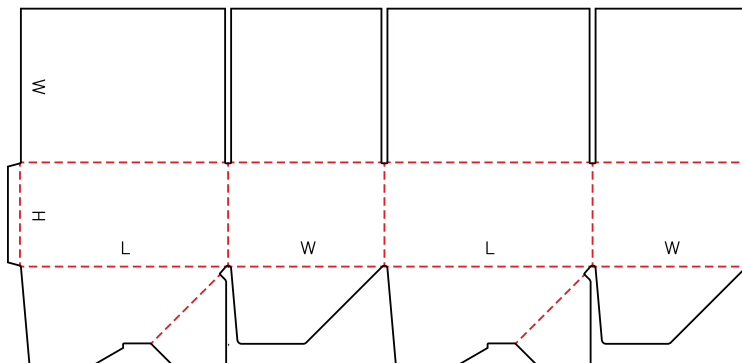
B708 M



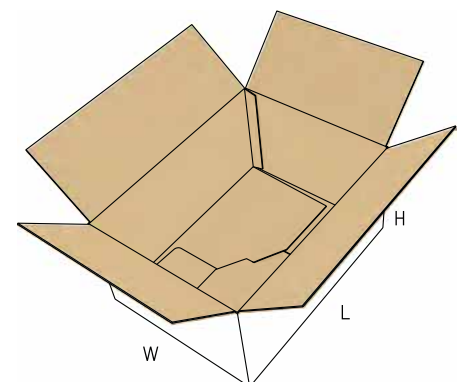
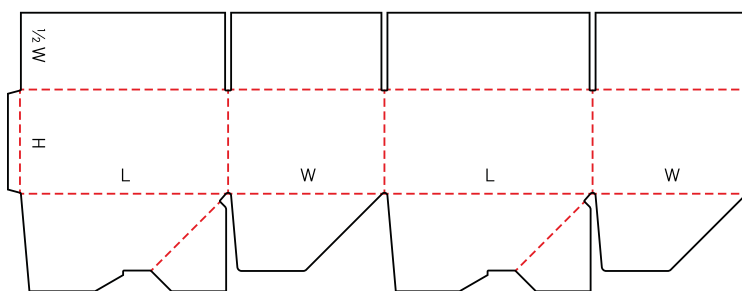
B709 M



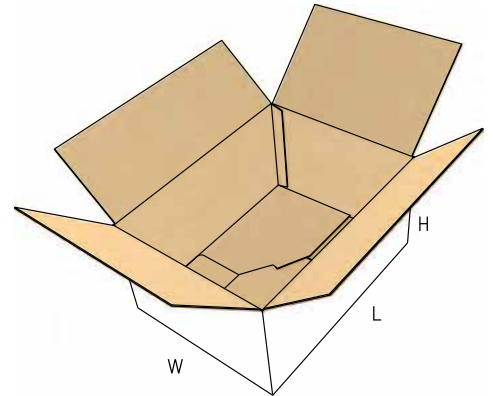
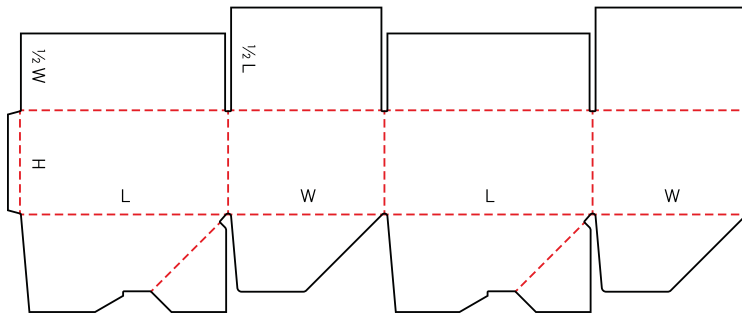
B710 M



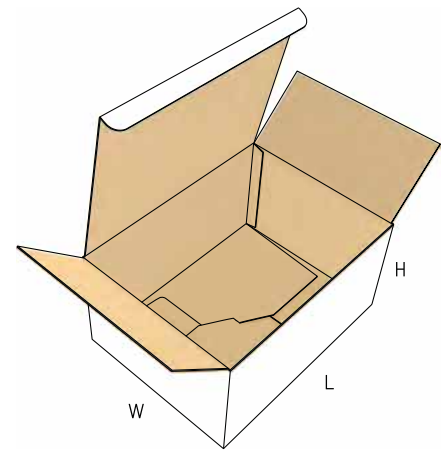
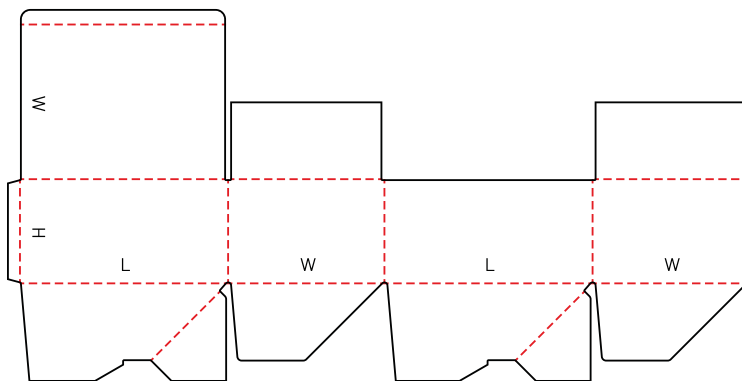
B711 M



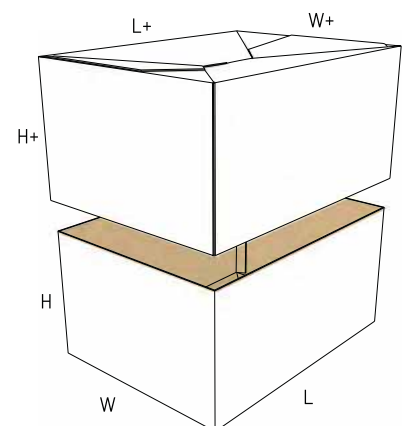
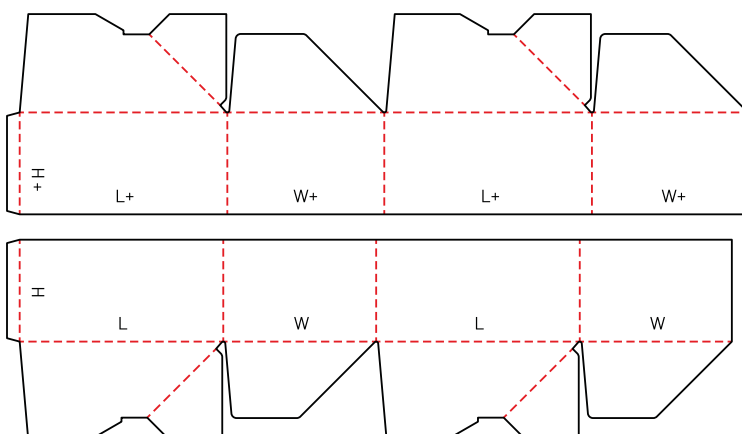
B712 M



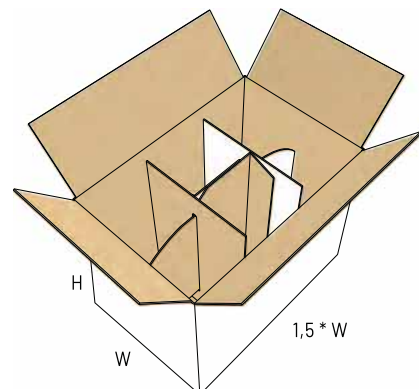
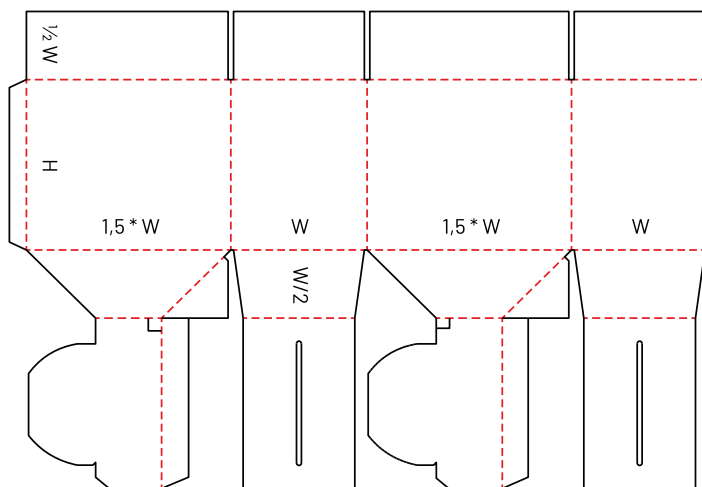
B713 M



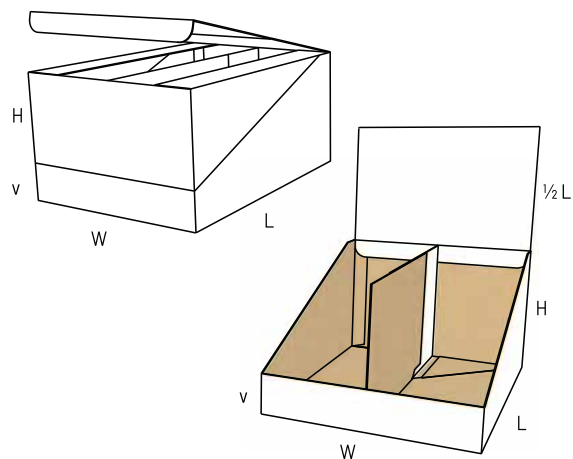
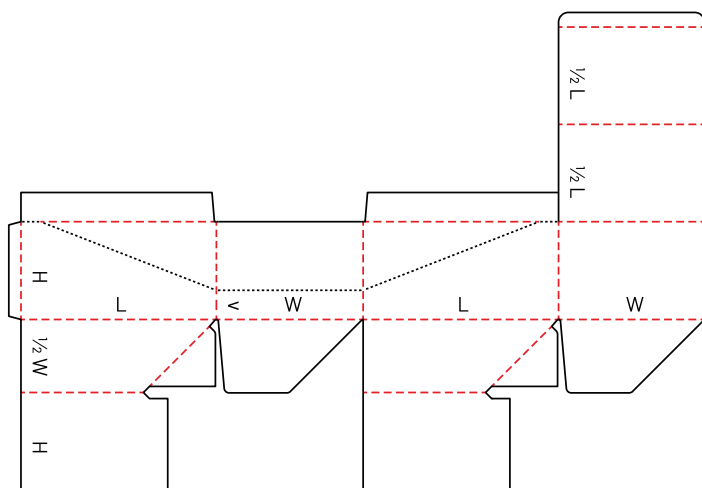
B714 M



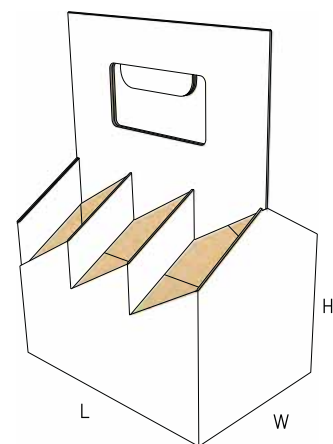
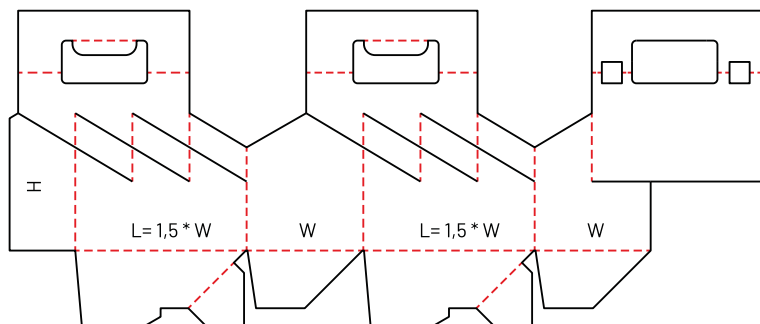
B715 M



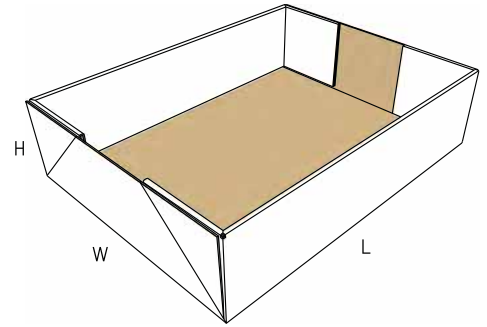
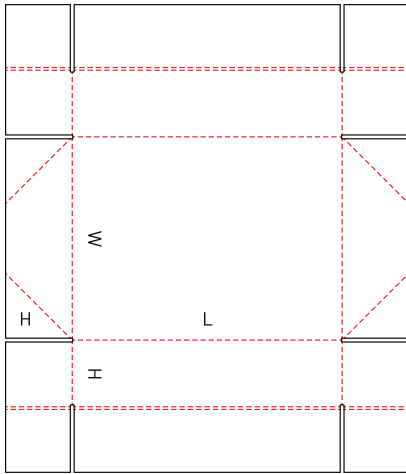
B716 M



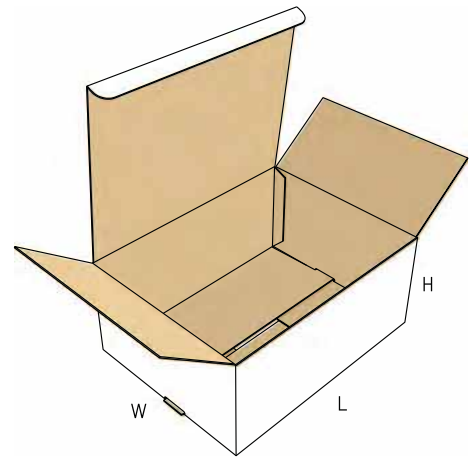
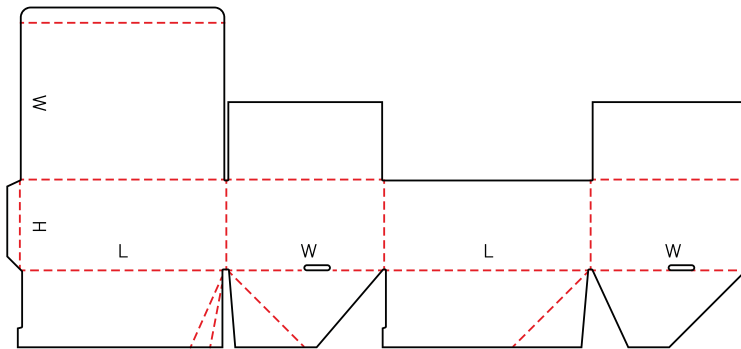
B717 M



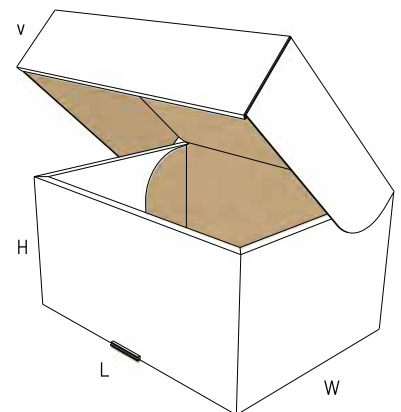
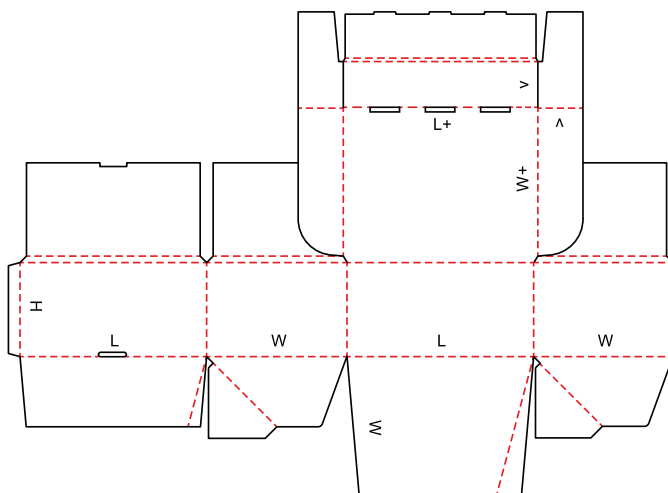
B718 M



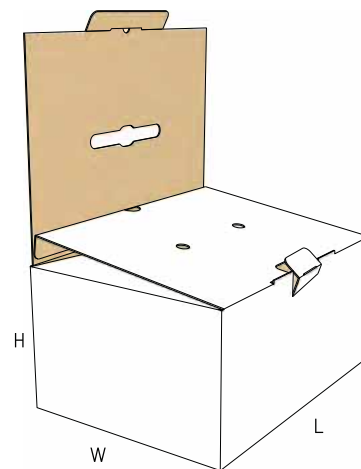
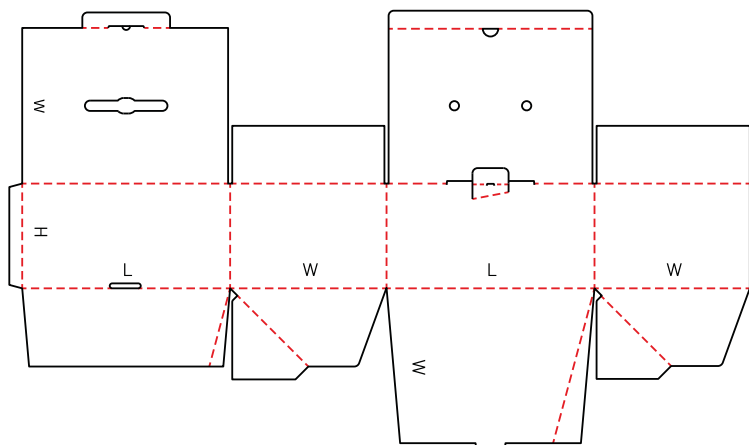
B719 M



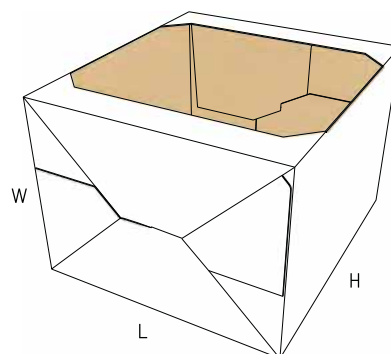
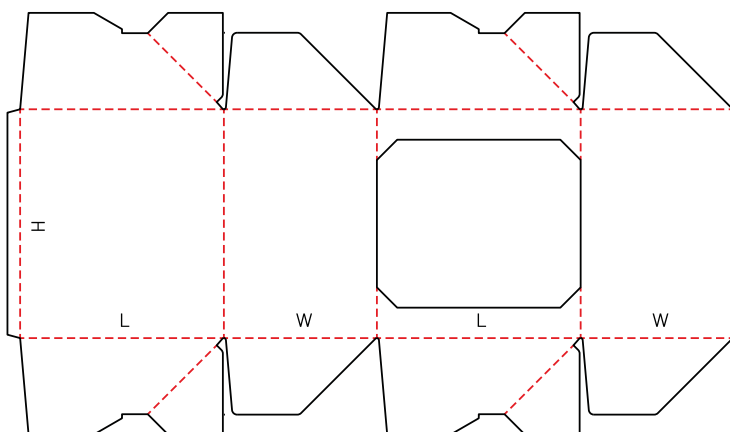
B720 M



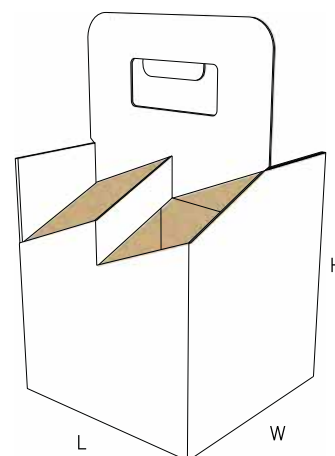
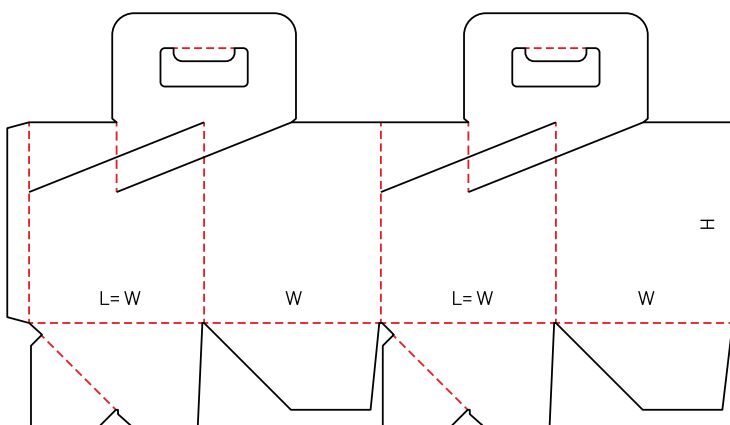
B721 M



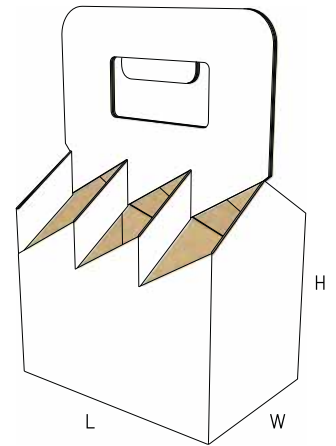
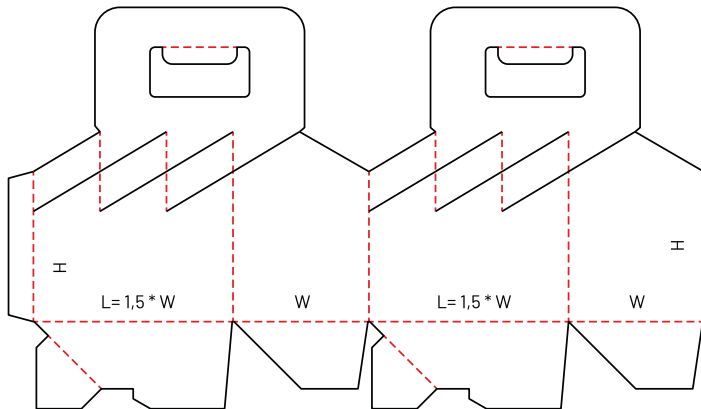
B722 M



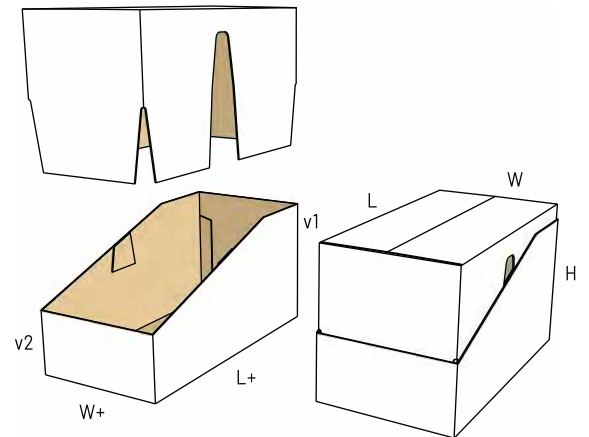
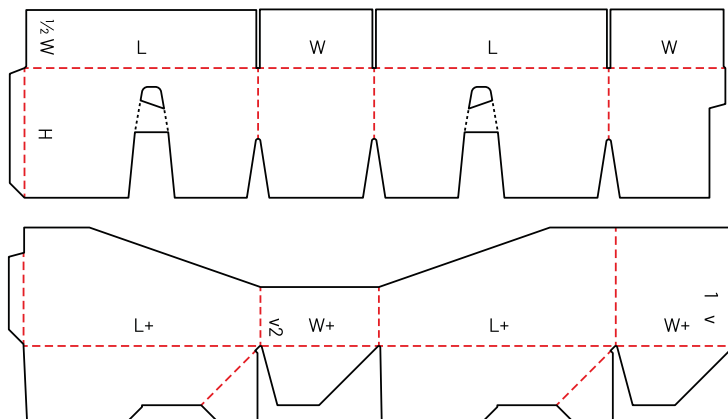
B723 M



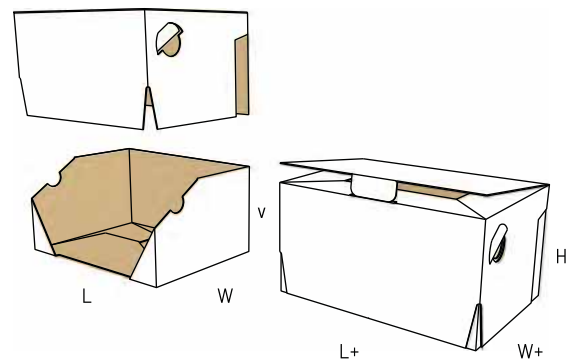
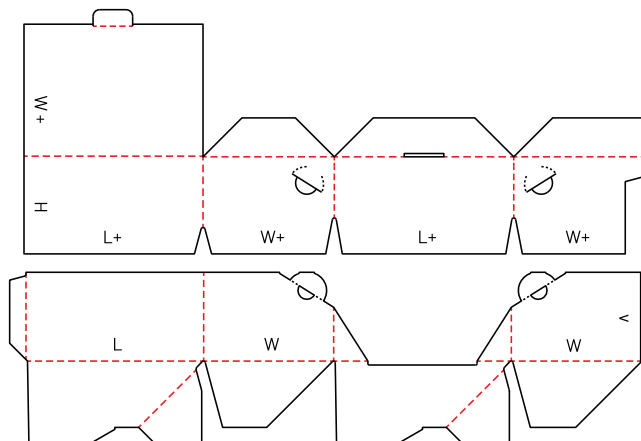
B724 M



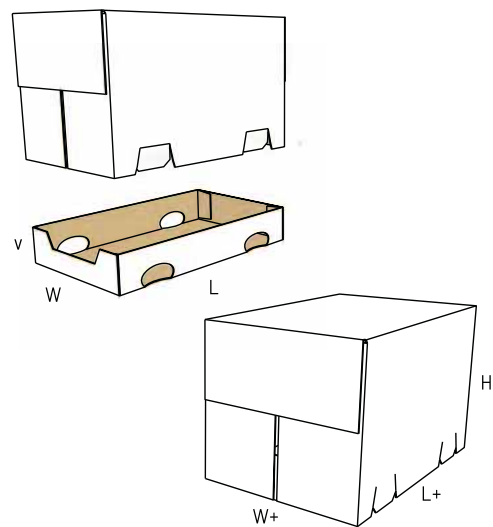
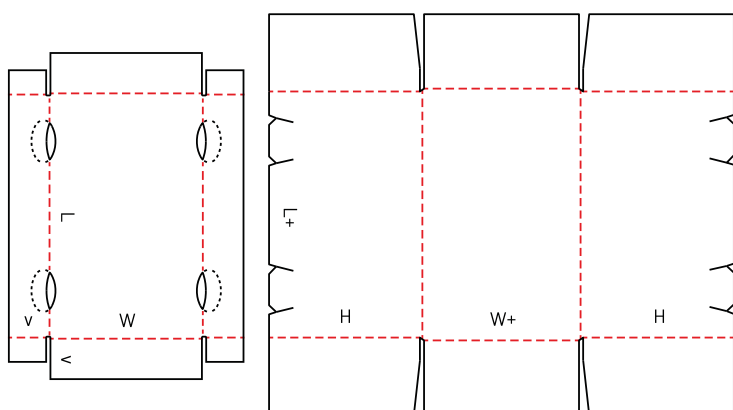
B725 M



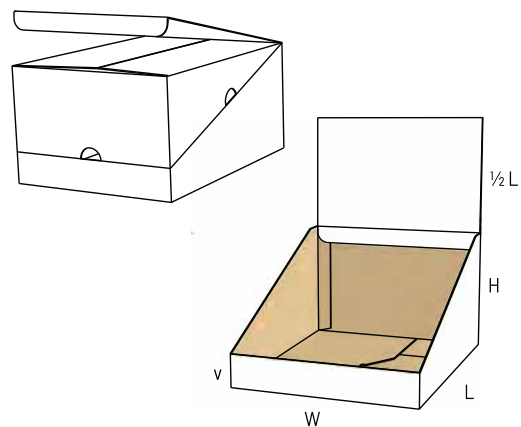
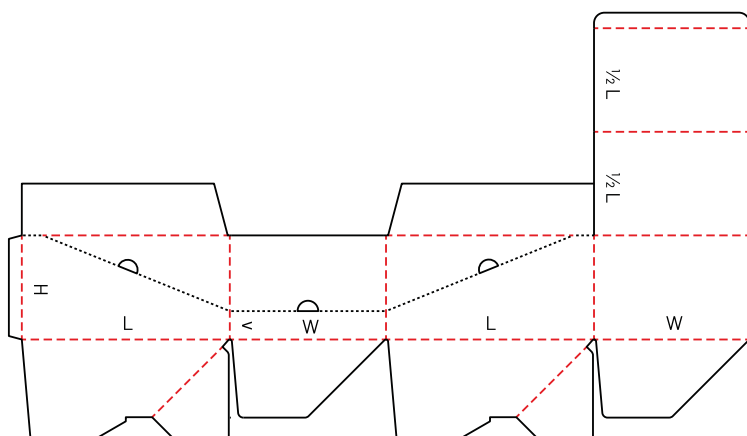
B726 M



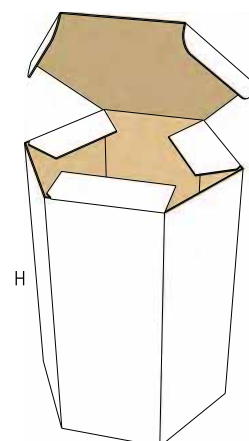
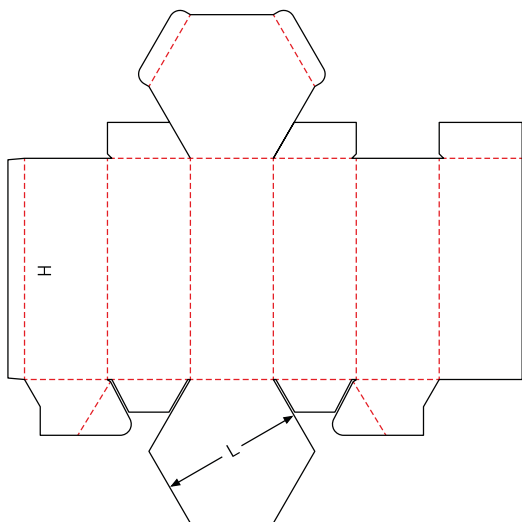
B727 A



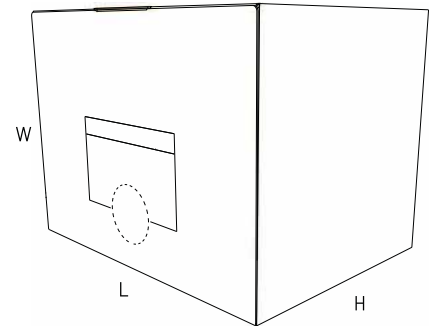
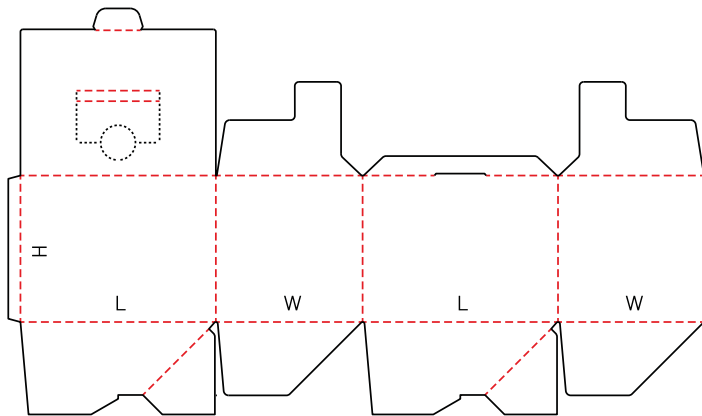
B728 M



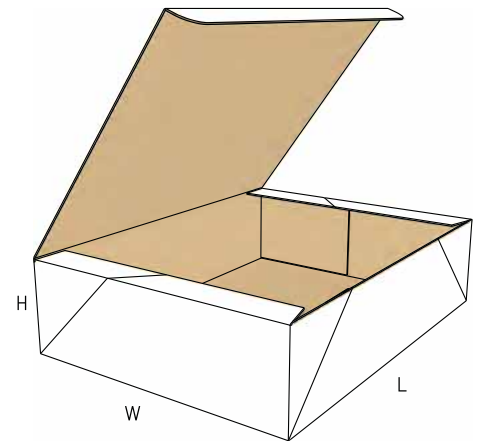
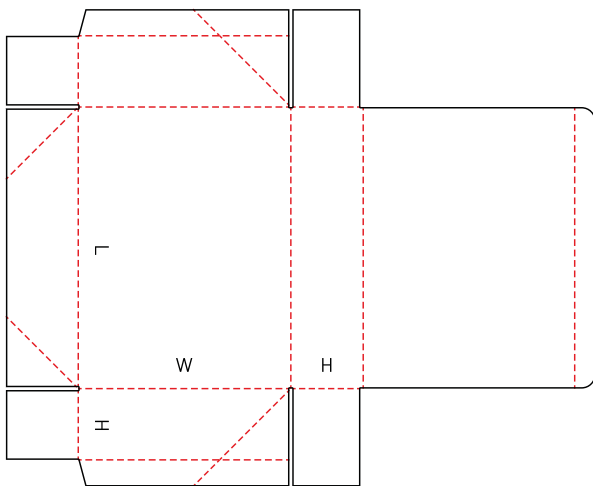
B730 M



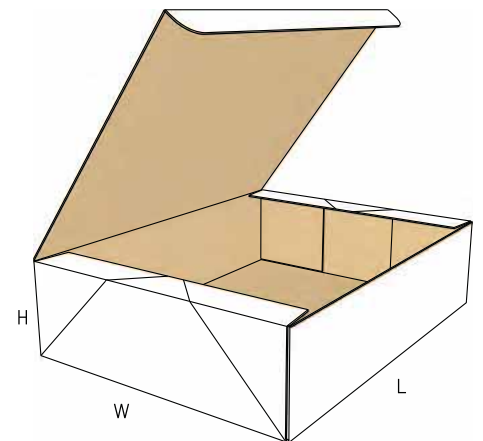
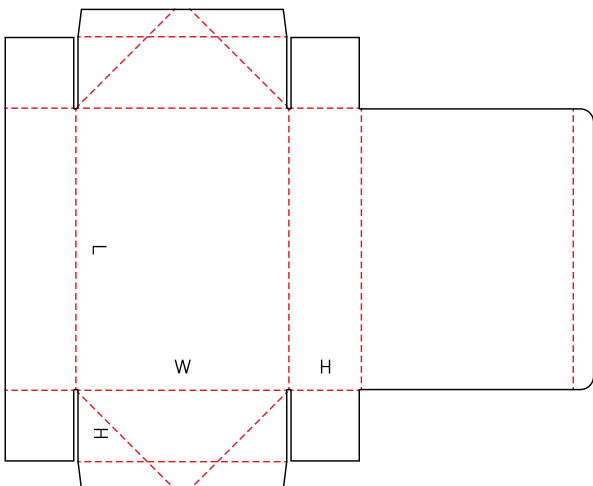
B740 M



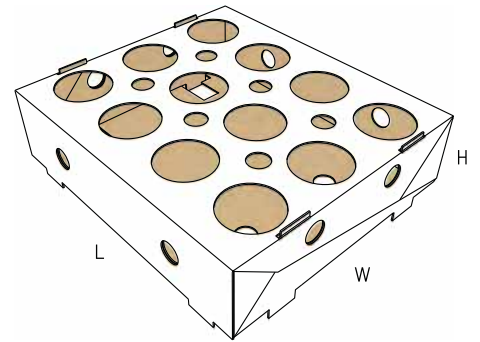
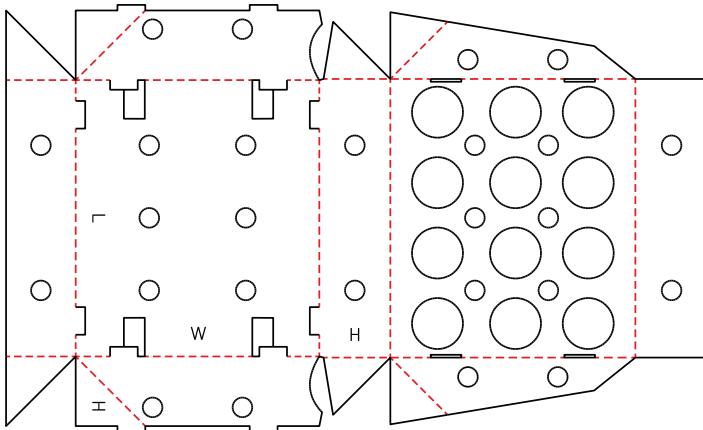
B747 M



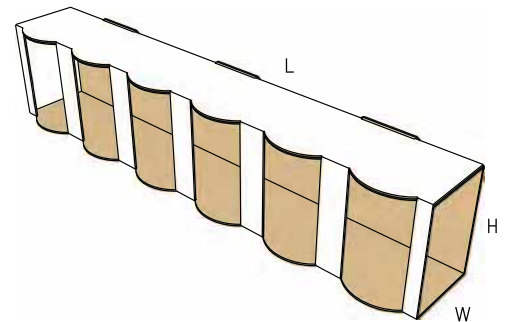
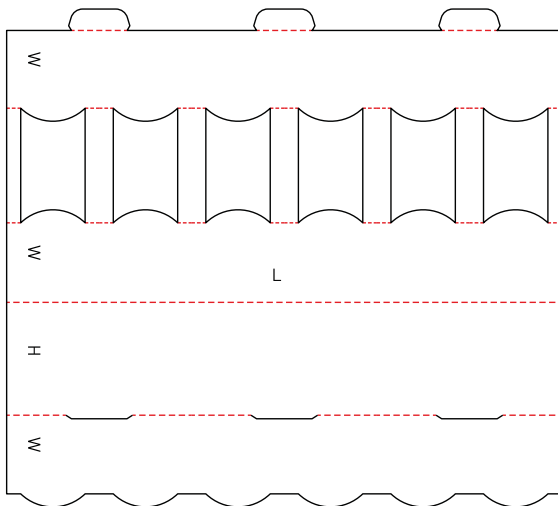
B748 M



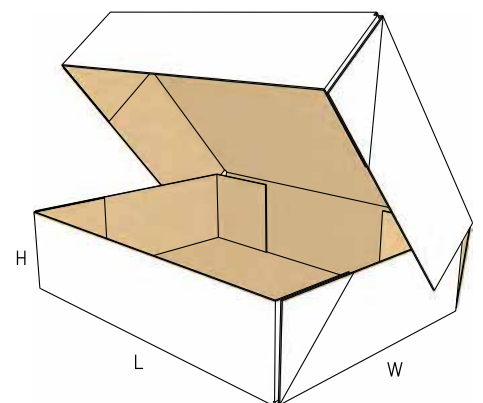
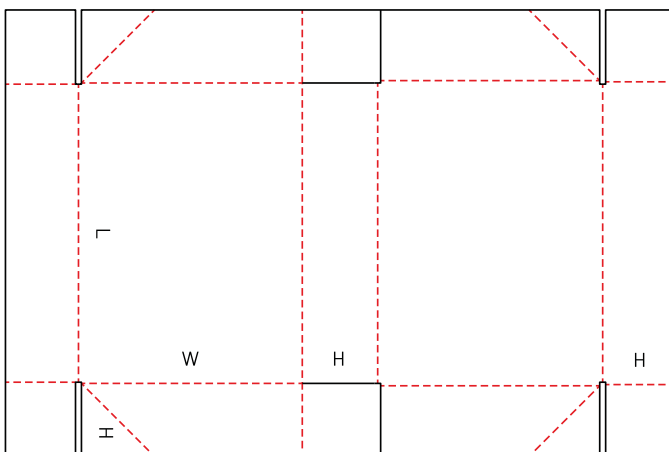
B751 M



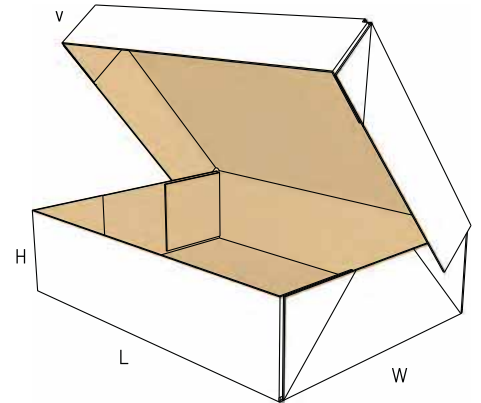
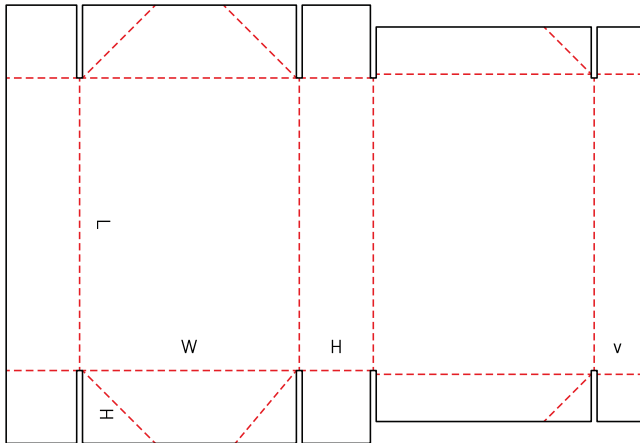
B752 M



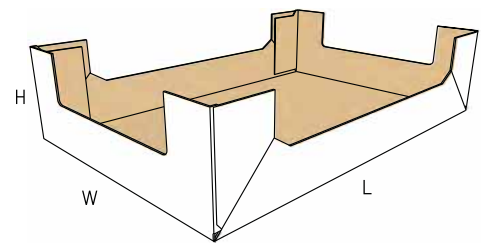
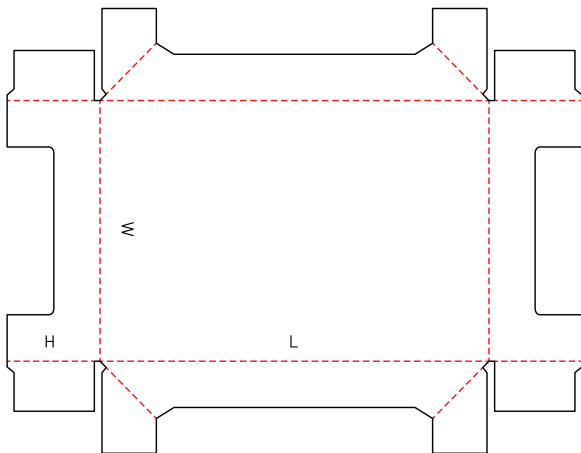
B759 M



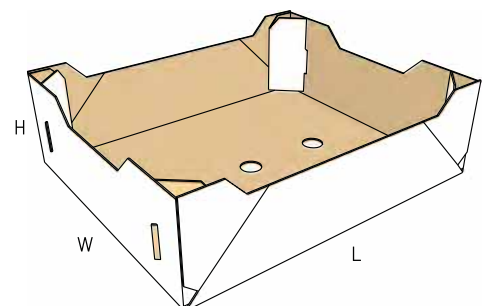
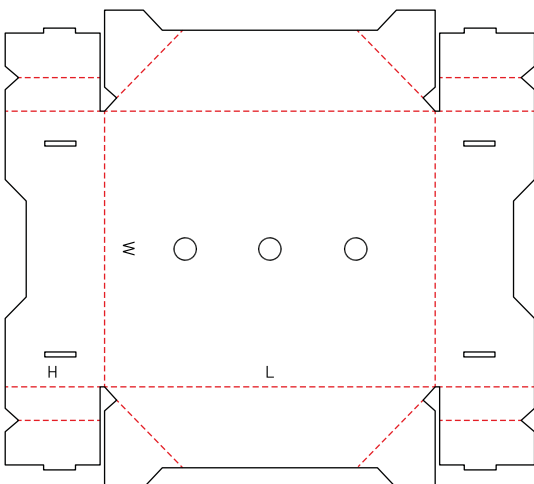
B761_M



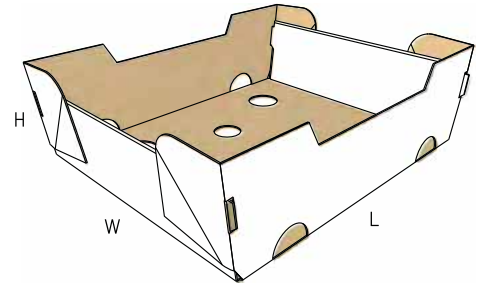
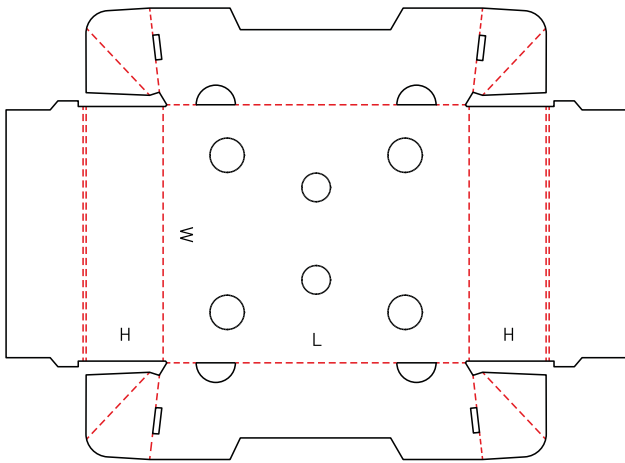
B770_M



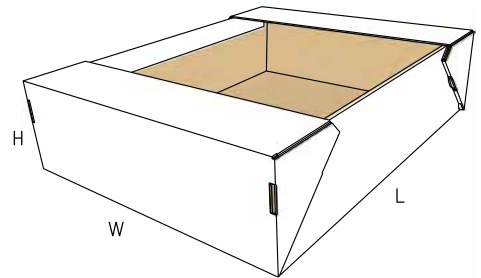
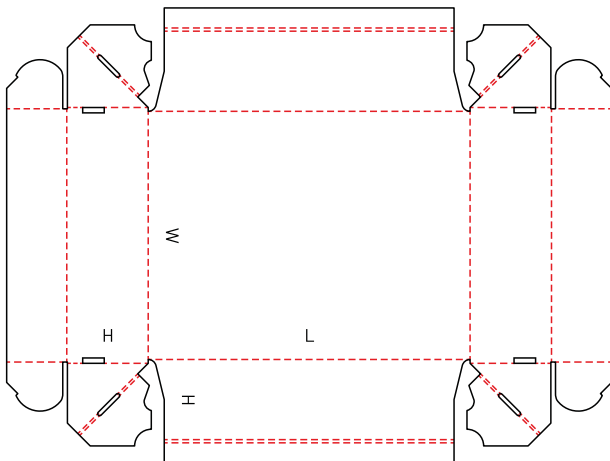
B771_M



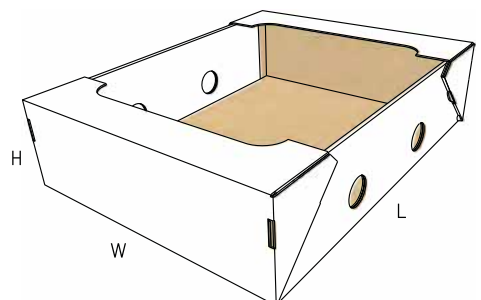
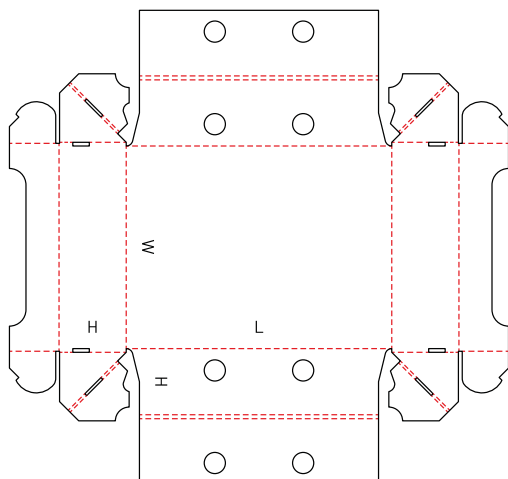
B772 M



B773 M



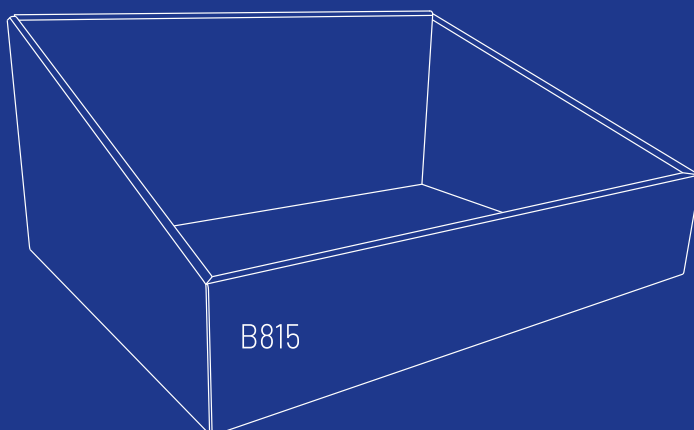
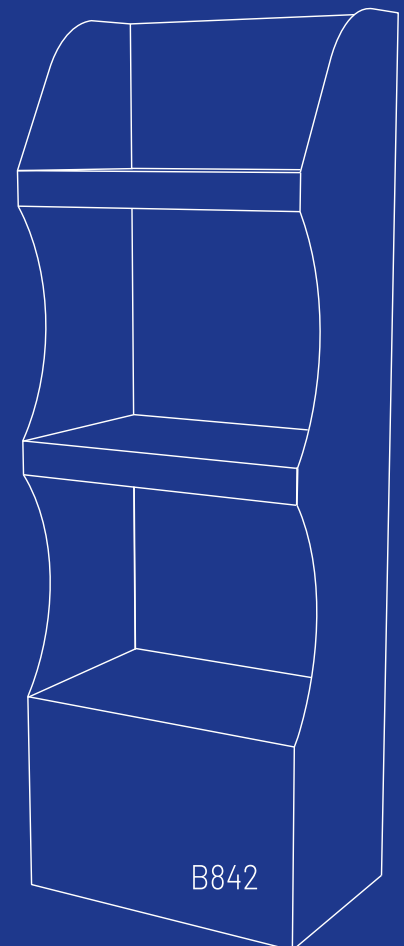
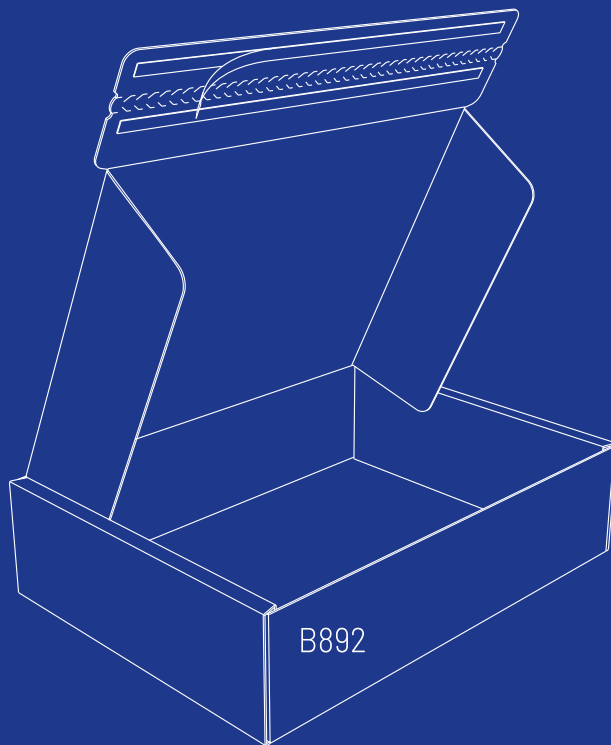
B774 M



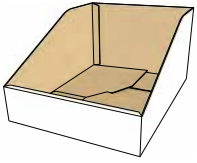
B800

RETAIL AND E-COMMERCE PACKAGING

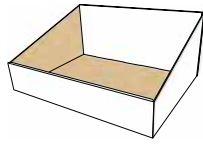
Retail and e-commerce packaging category shows the typical styles used for Point of Sale (POS) displays and trays as well as styles for the online trade.



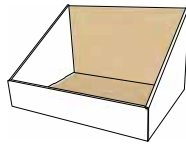
B801_M



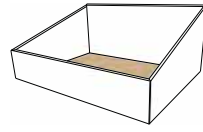
B802_{M/A}



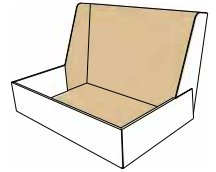
B803_M



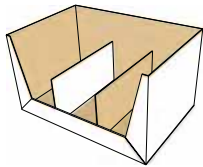
B804_M



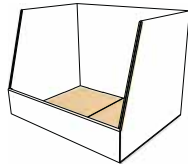
B808_M



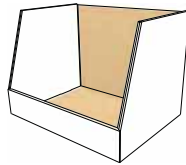
B809_M



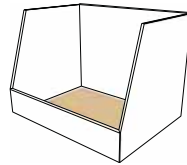
B815_M



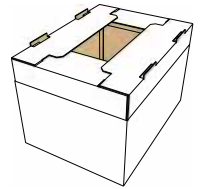
B816_M



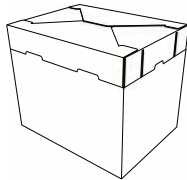
B817_M



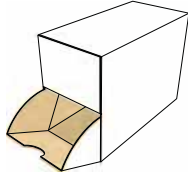
B818_M



B819_M



B825_M



B826_M



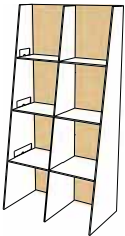
B830_M



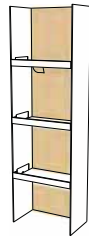
B831_M



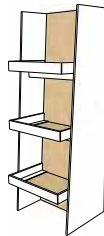
B832_M



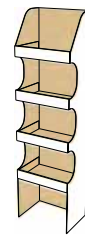
B833_M



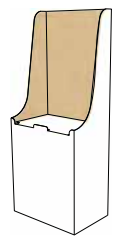
B834_M



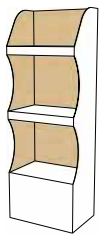
B840_M



B841_M



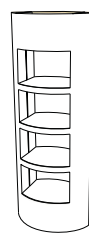
B842_M



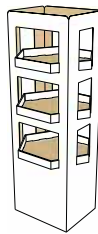
B843_M



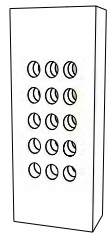
B845_M



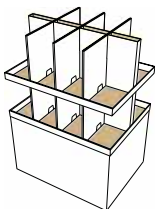
B846_M



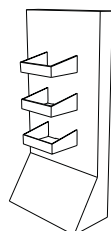
B847_M



B848_M



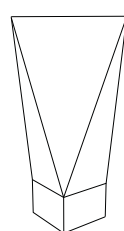
B849_M



B850_M



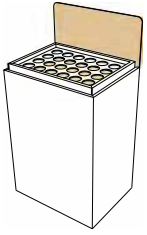
B851_M



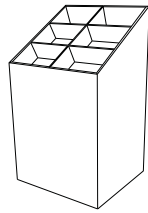
B852_M



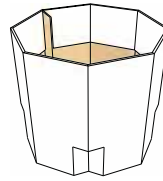
B853 M



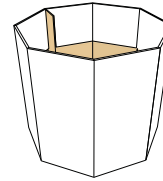
B854 M



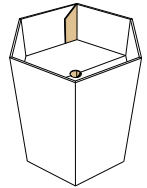
B858 M



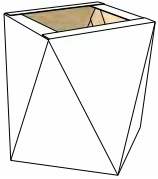
B859 M



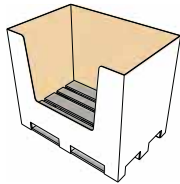
B860 M



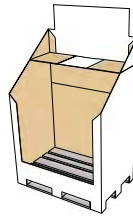
B861 M



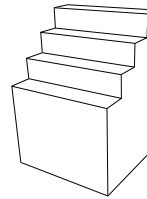
B865 M



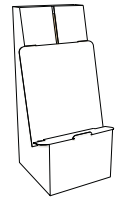
B866 M



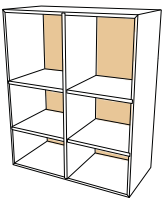
B870 M



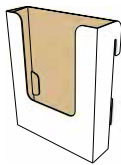
B871 M



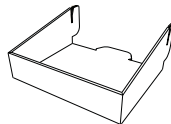
B872 M



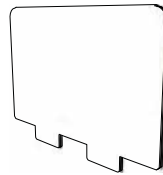
B873 M



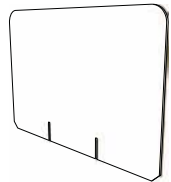
B874 M



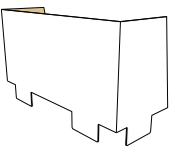
B880 M



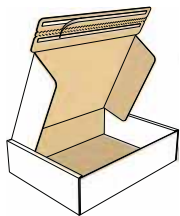
B881 M



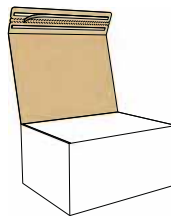
B882 M



B885 M



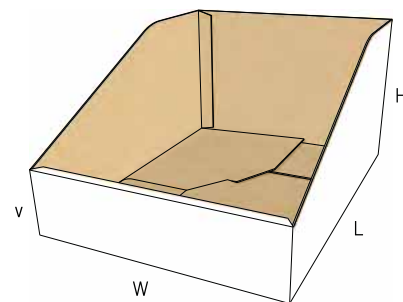
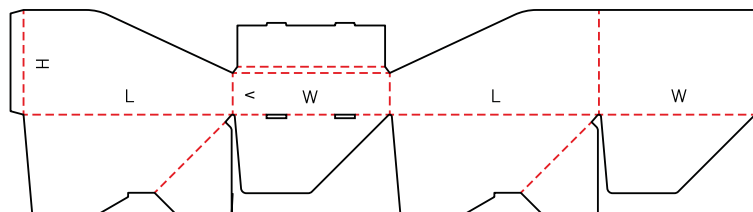
B886 M



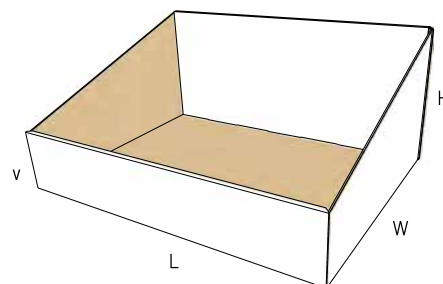
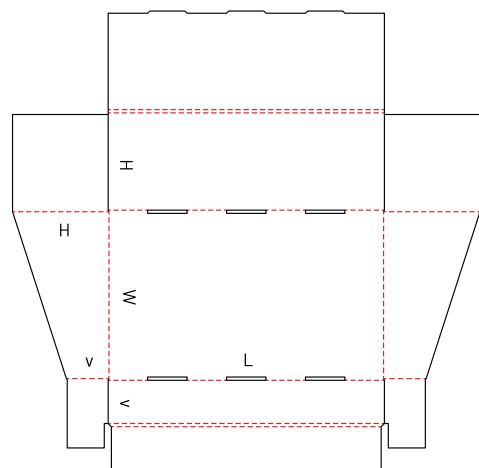
B887 M



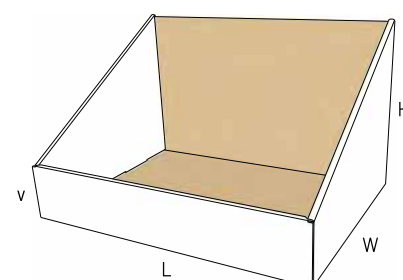
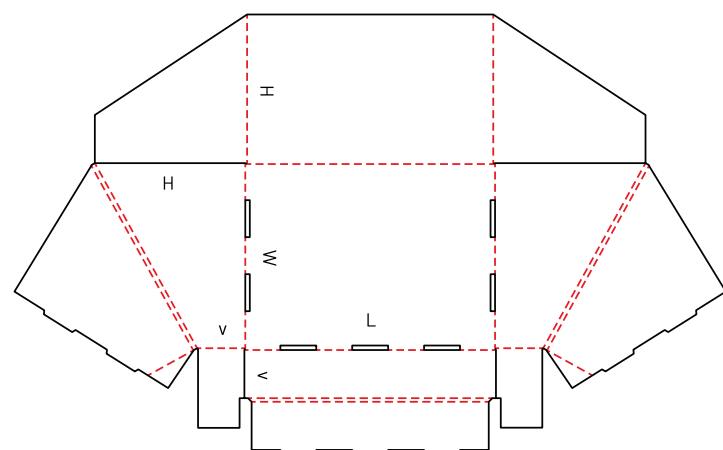
B801 M



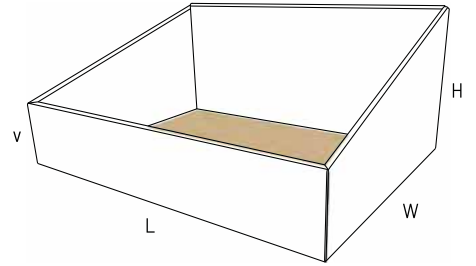
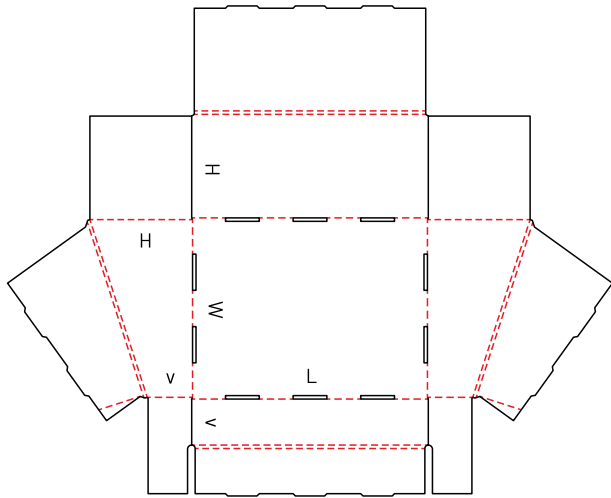
B802 M/A



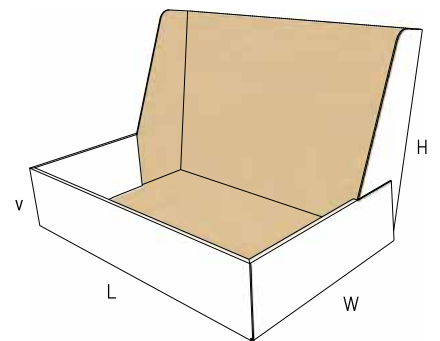
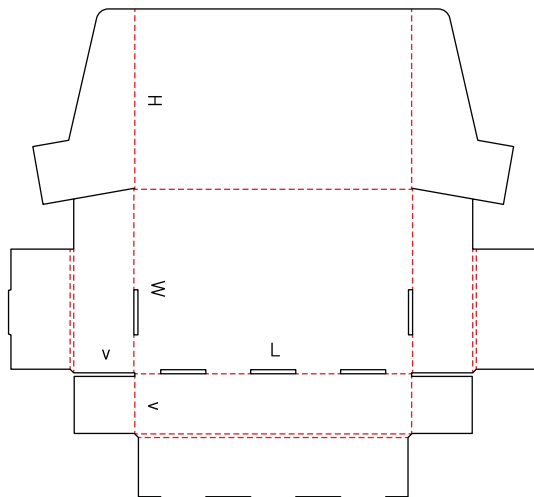
B803 M



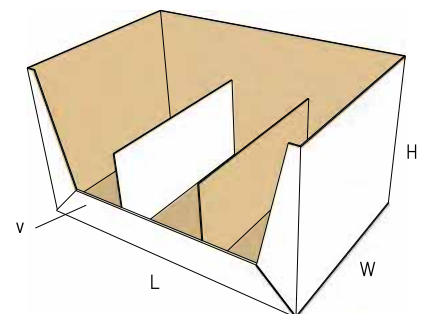
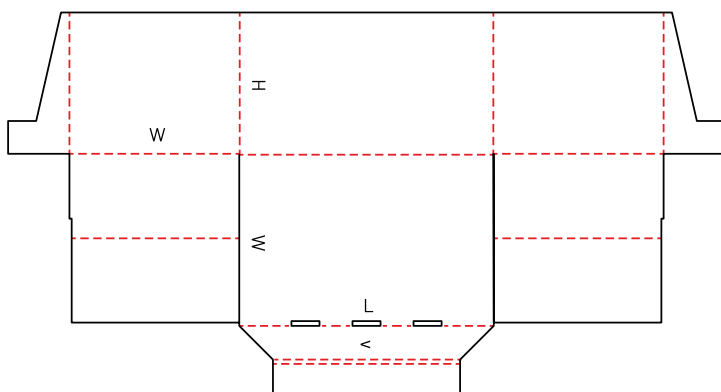
B804 M



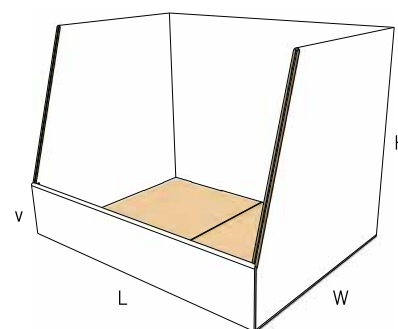
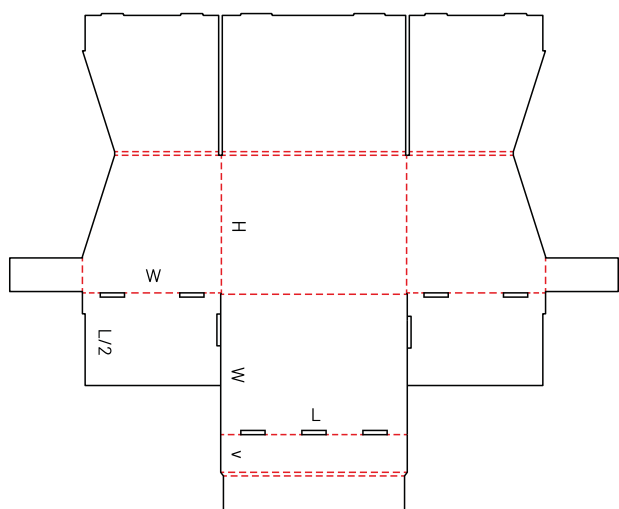
B808 M



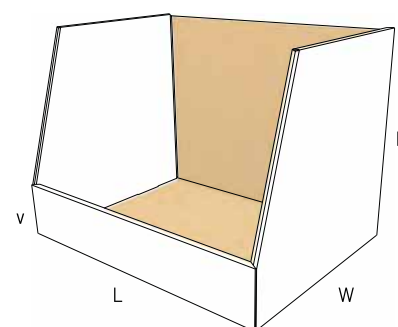
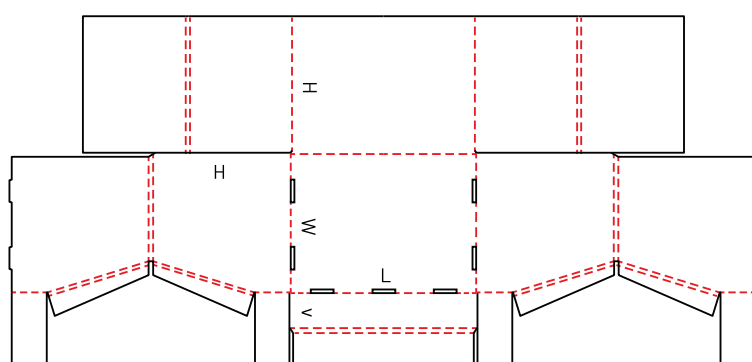
B809 M



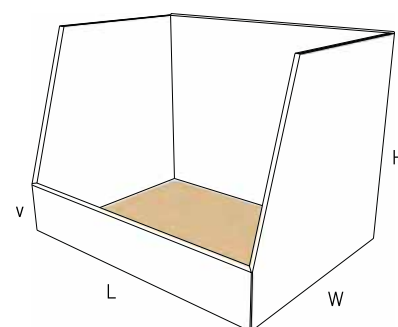
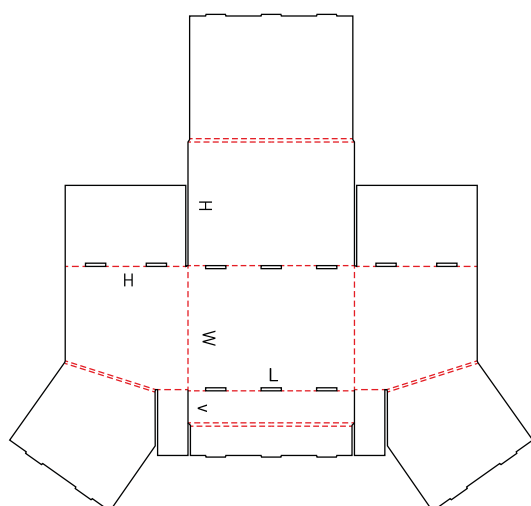
B815 M



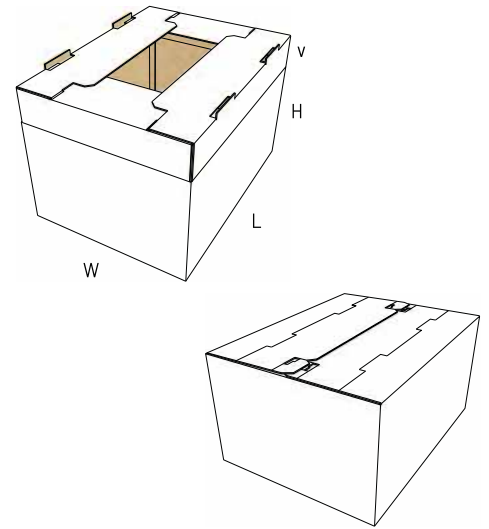
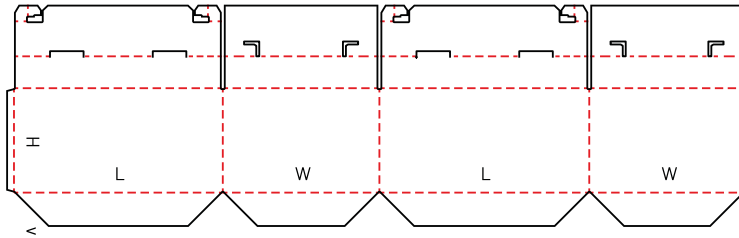
B816 M



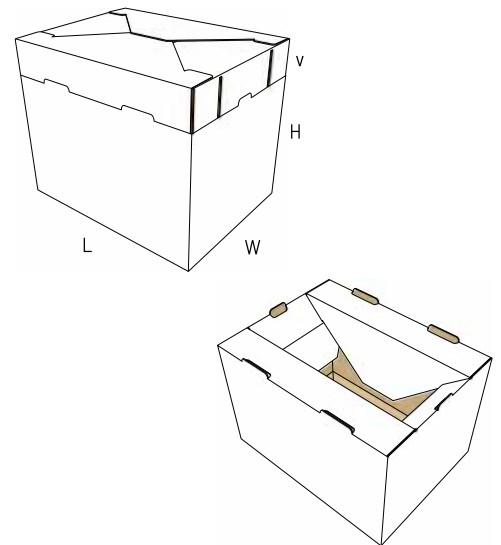
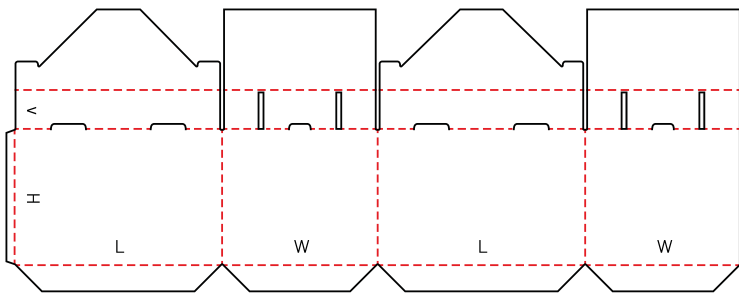
B817 M



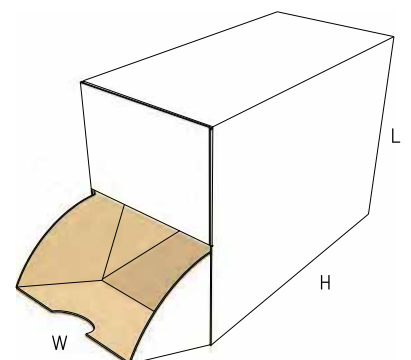
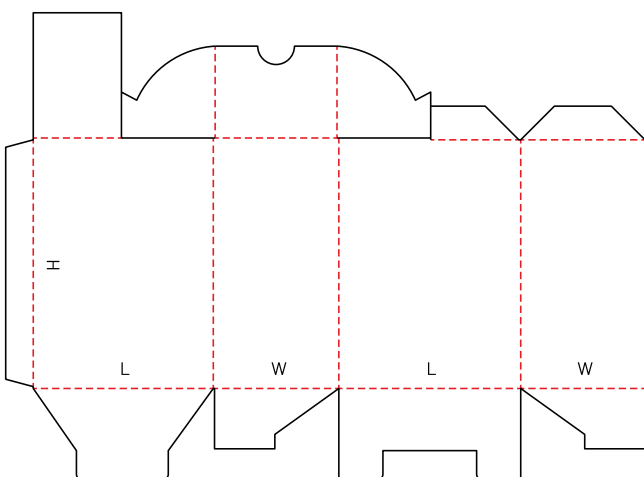
B818 M



B819 M

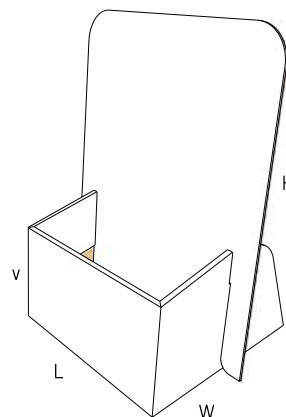
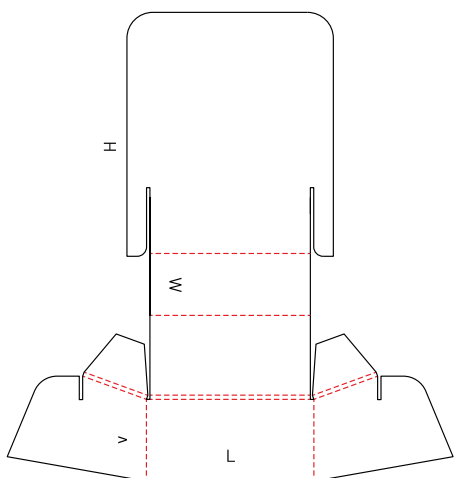


B825 M



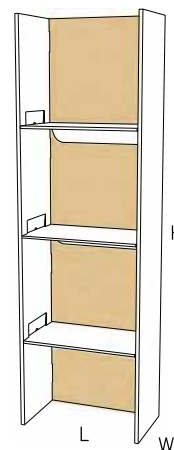
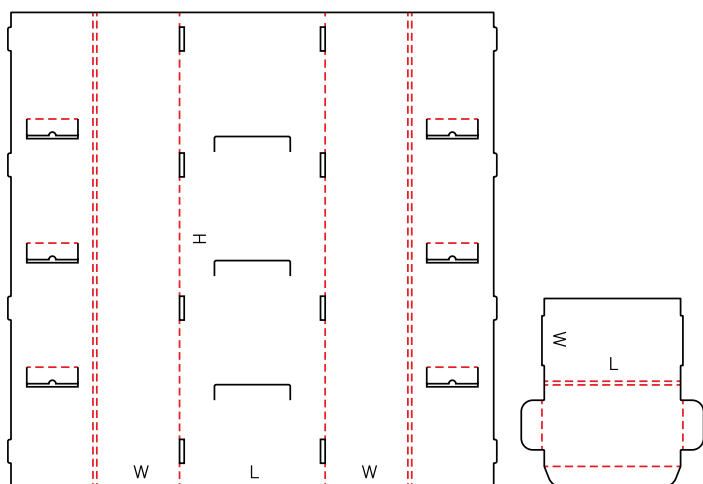
B826 M

YENİ



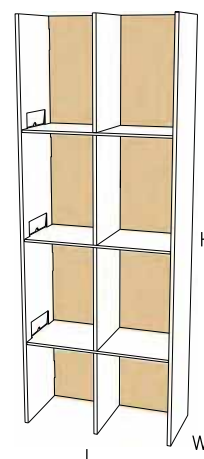
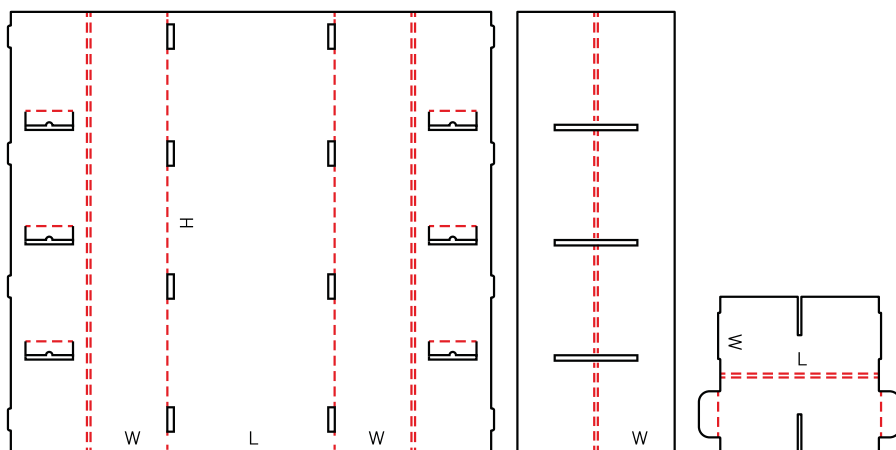
B830 M

YENİ

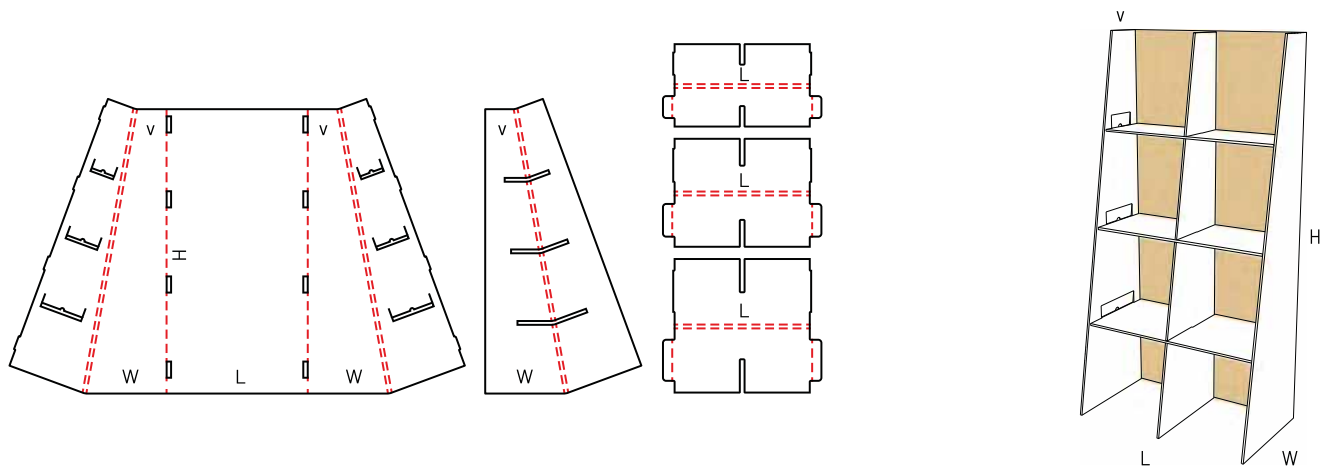


B831 M

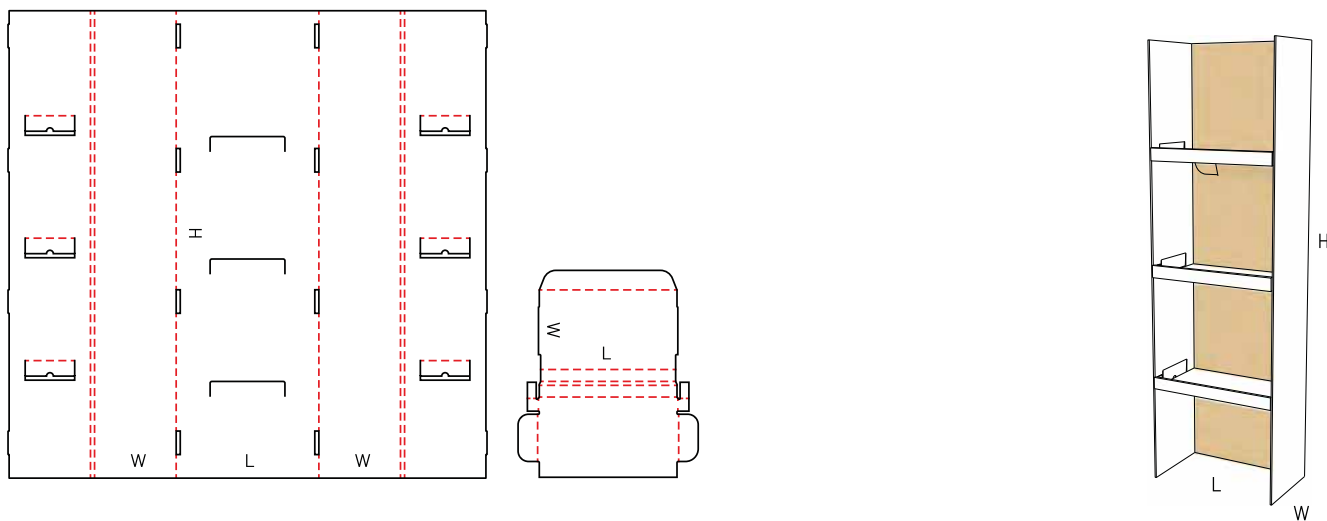
YENİ



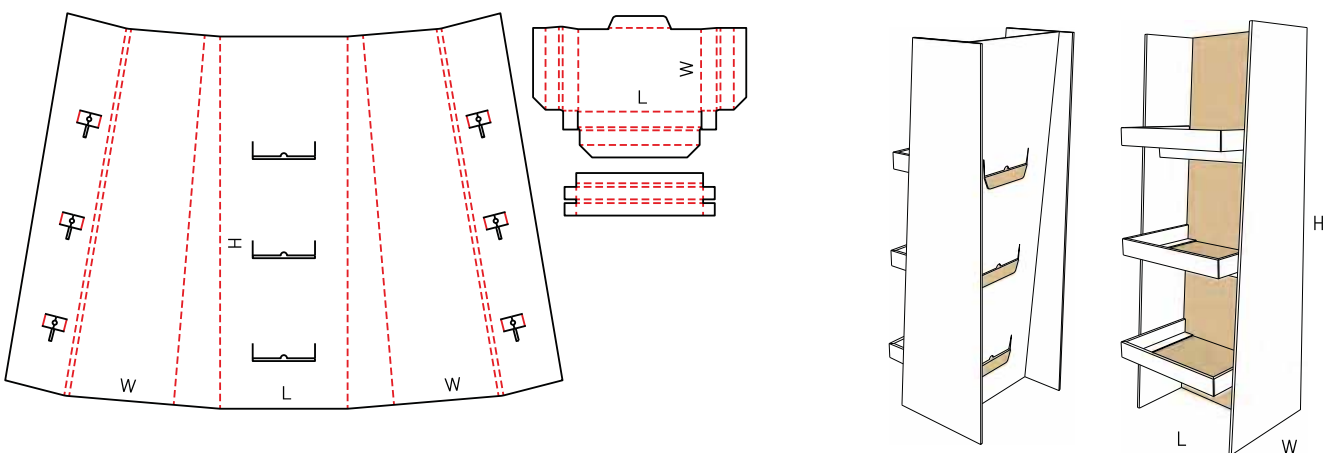
B832 M



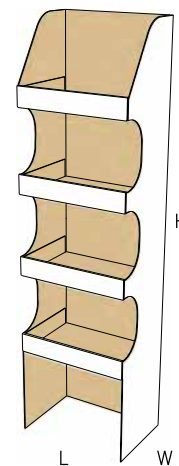
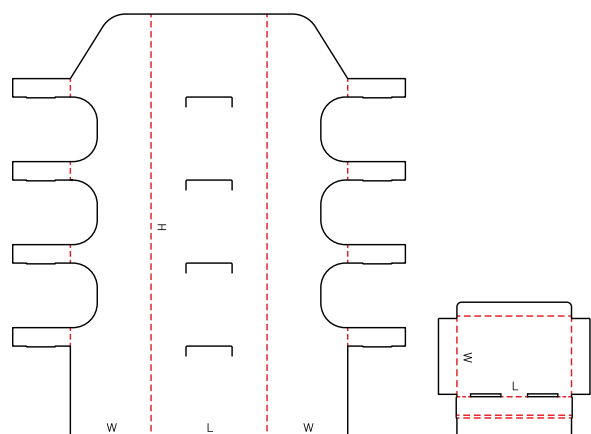
B833 M



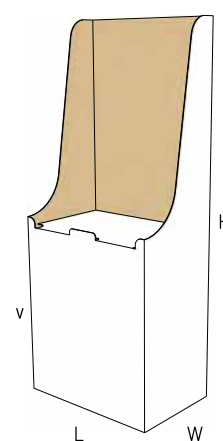
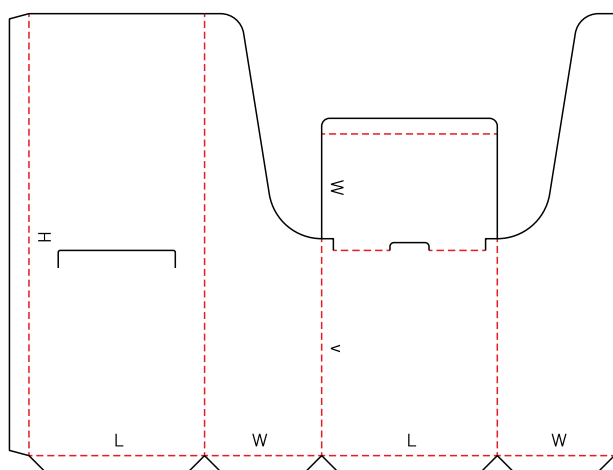
B834 M



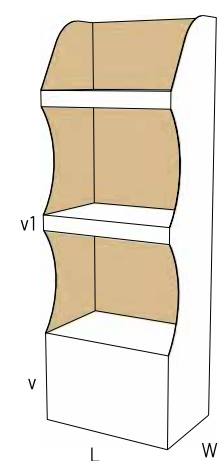
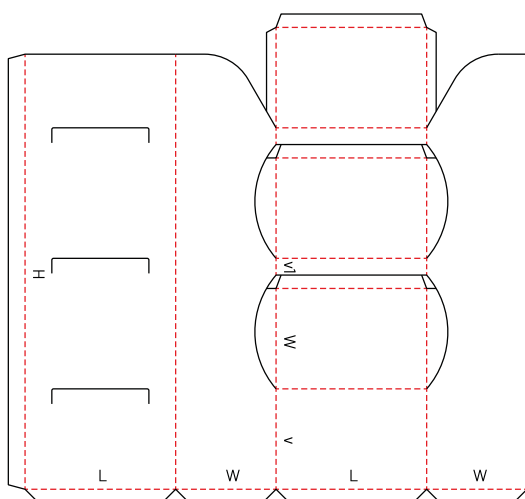
B840 M



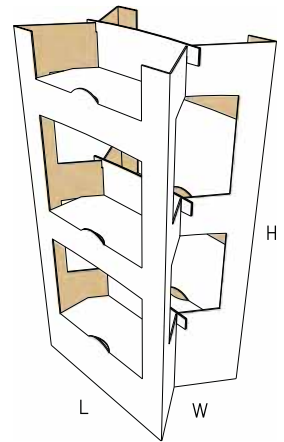
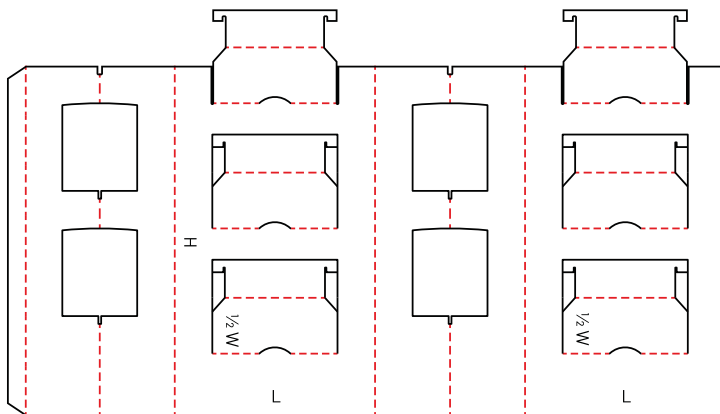
B841 M



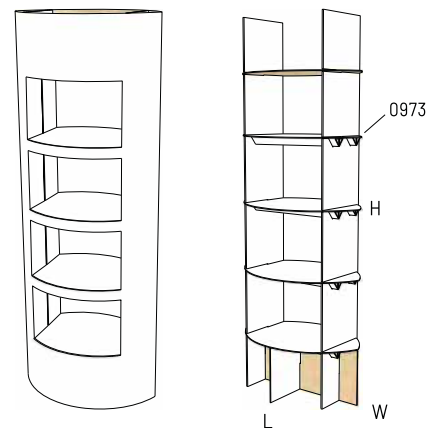
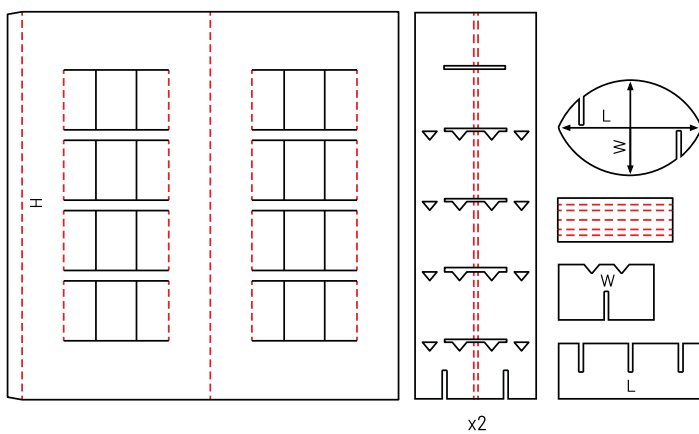
B842 M



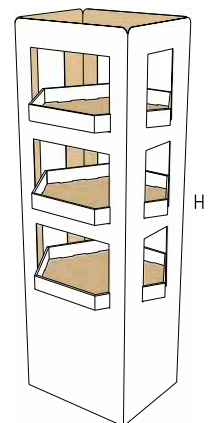
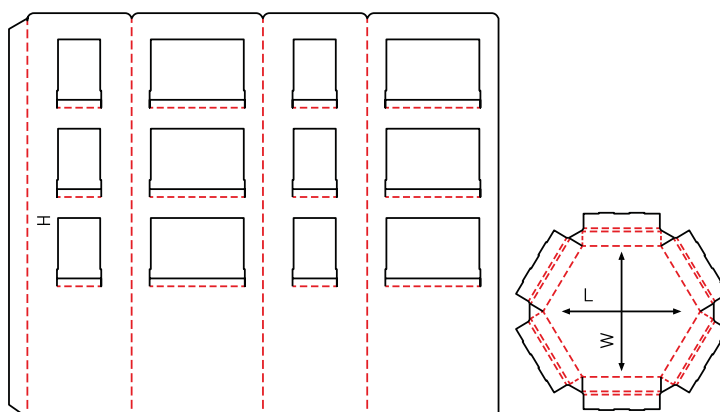
B843 M



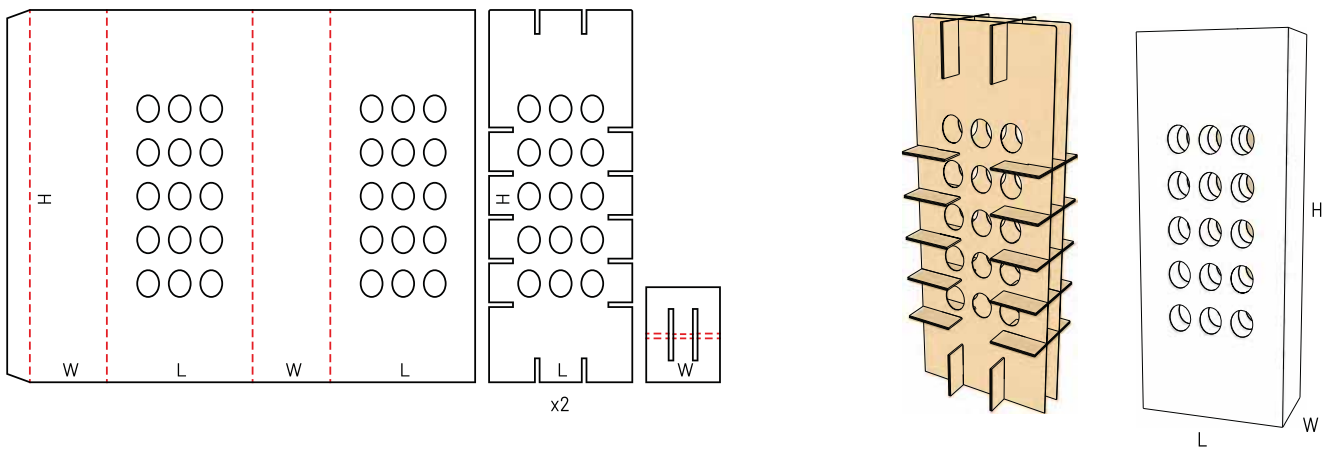
B845 M



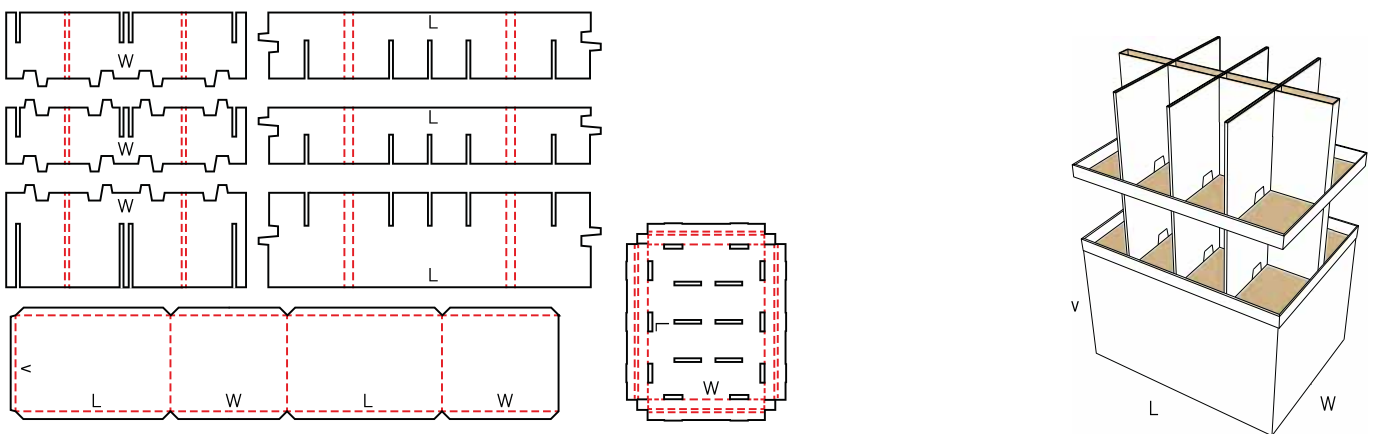
B846 M



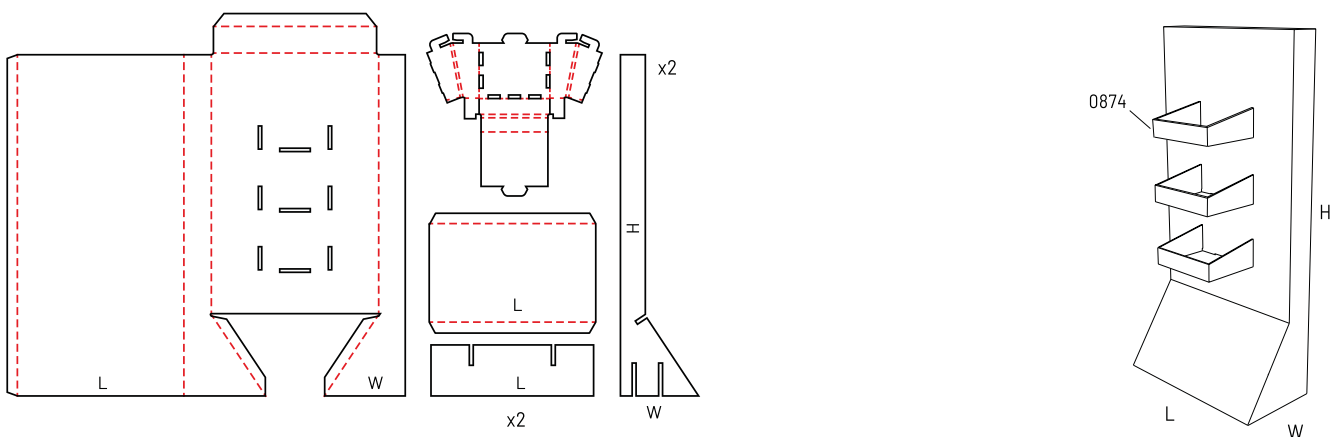
B847 M



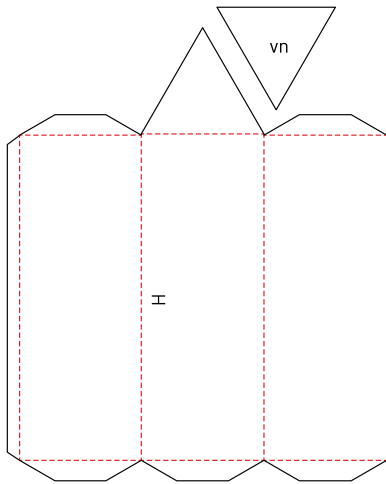
B848 M



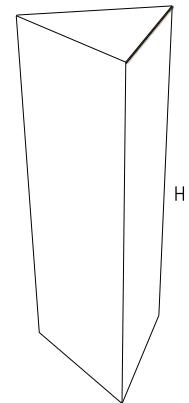
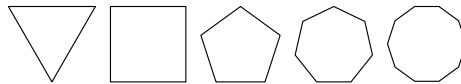
B849 M



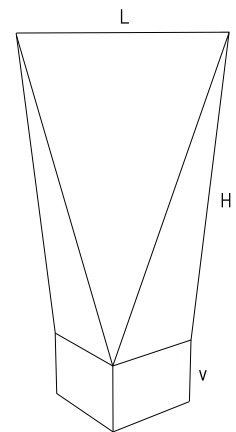
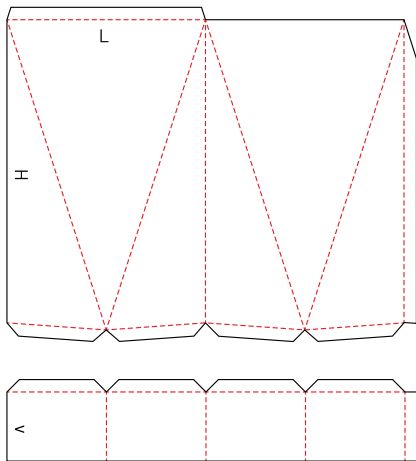
B850 M



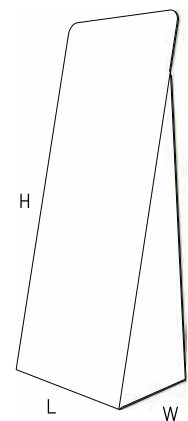
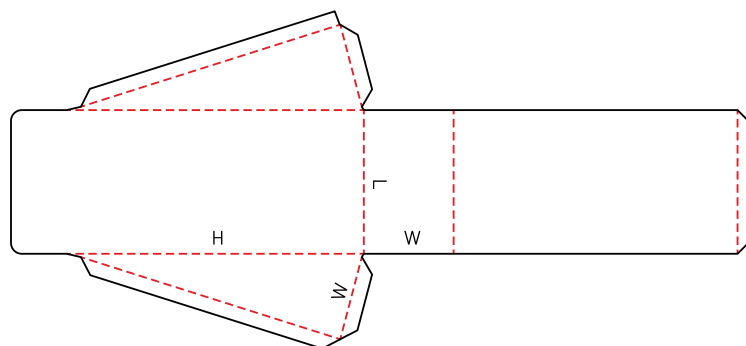
Design style could vary with multiple number of sides. (vn)



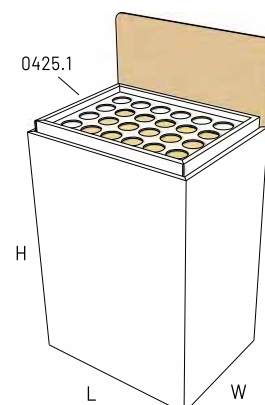
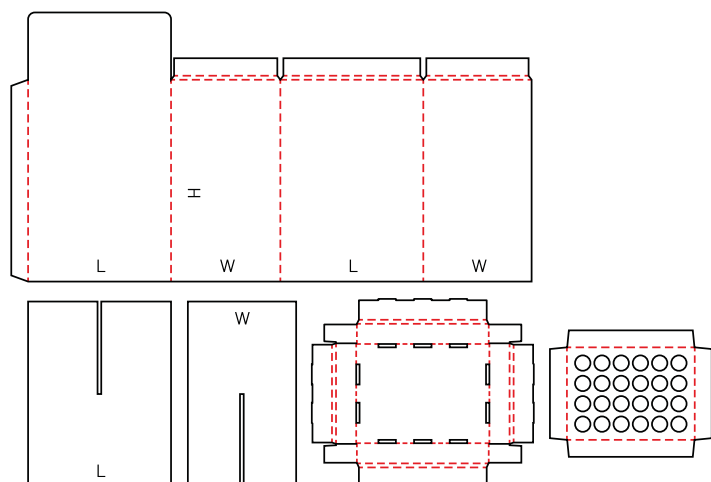
B851 M



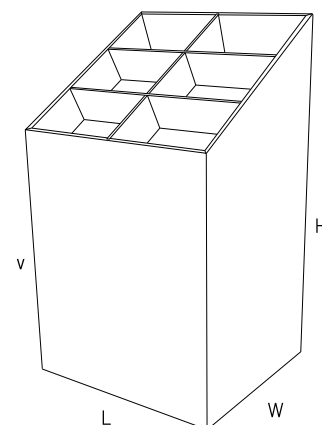
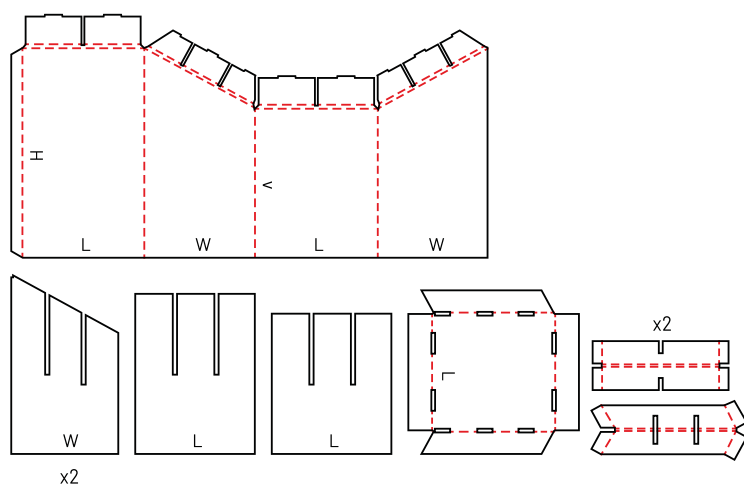
B852 M



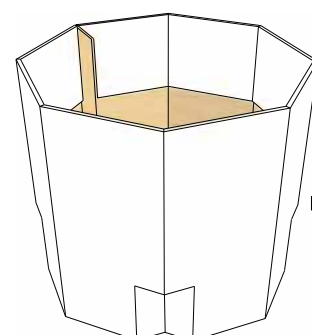
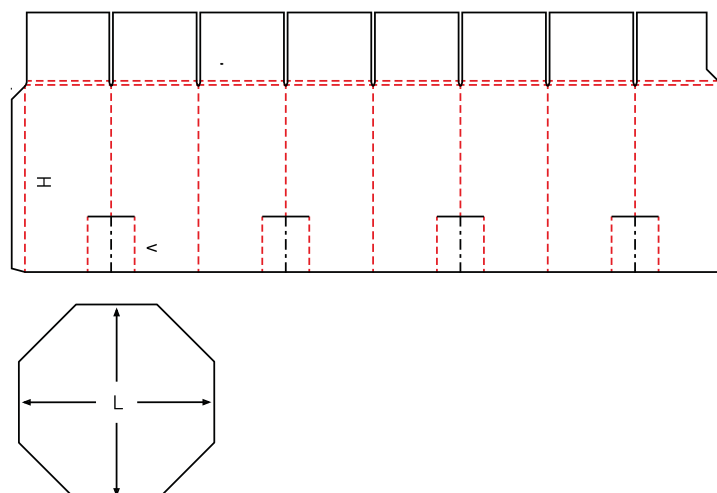
B853 M



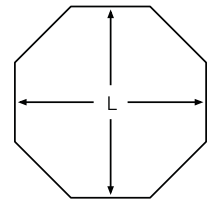
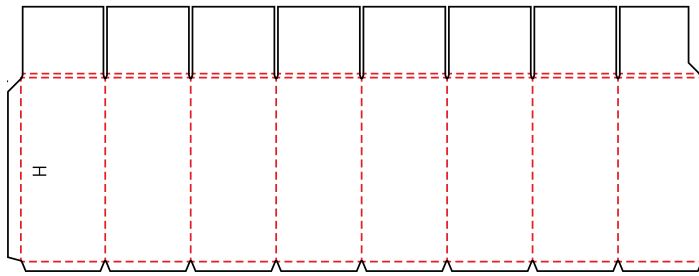
B854 M



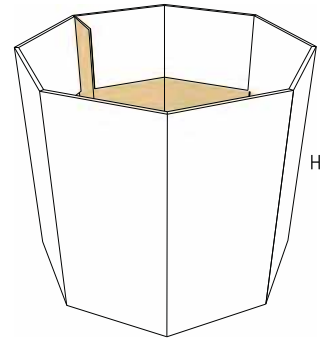
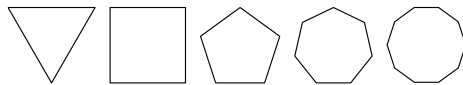
B858 M



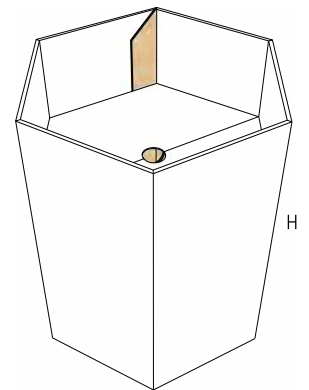
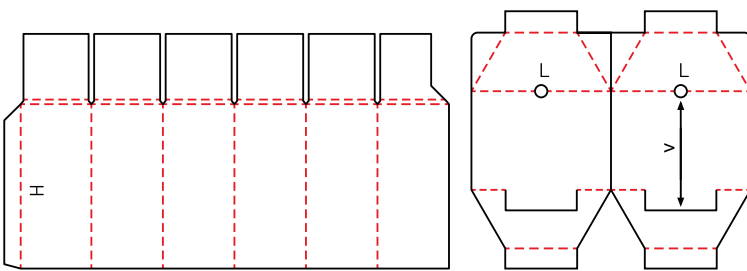
B859 M



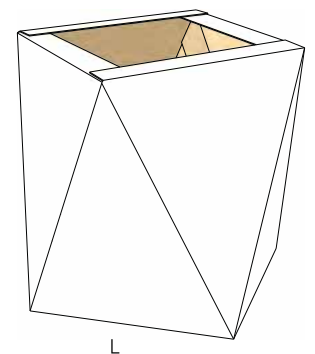
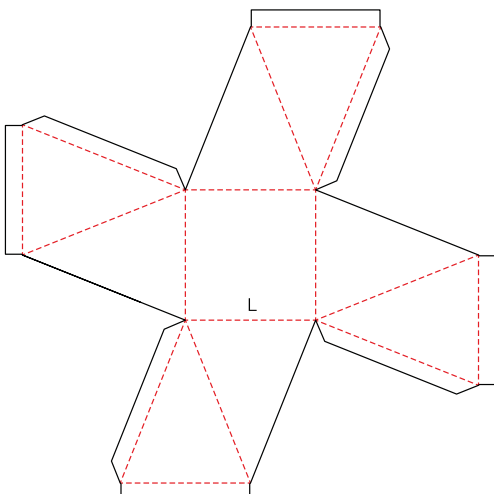
Design style could vary with multiple number of sides. (vn)



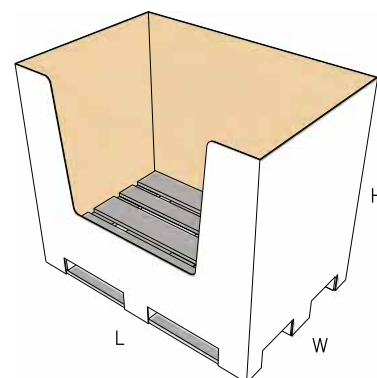
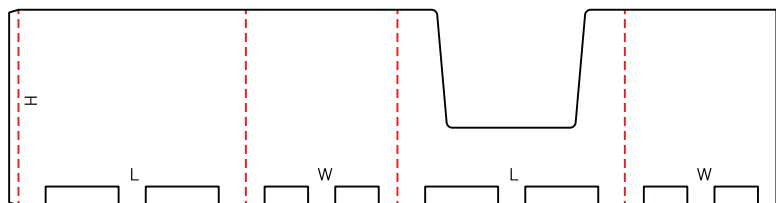
B860 M



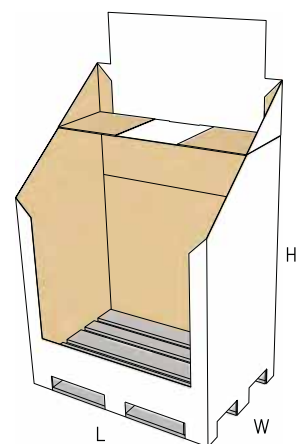
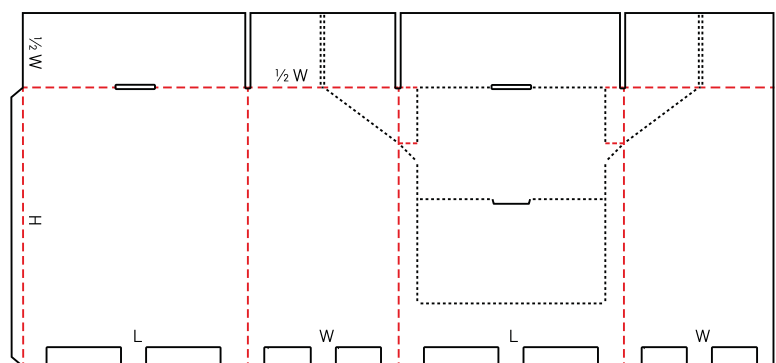
B861 M



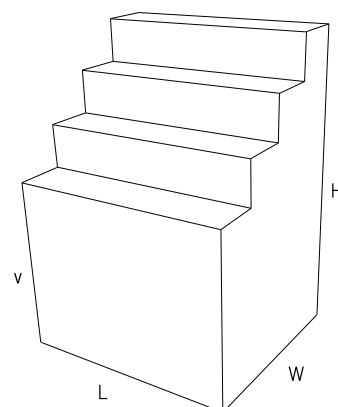
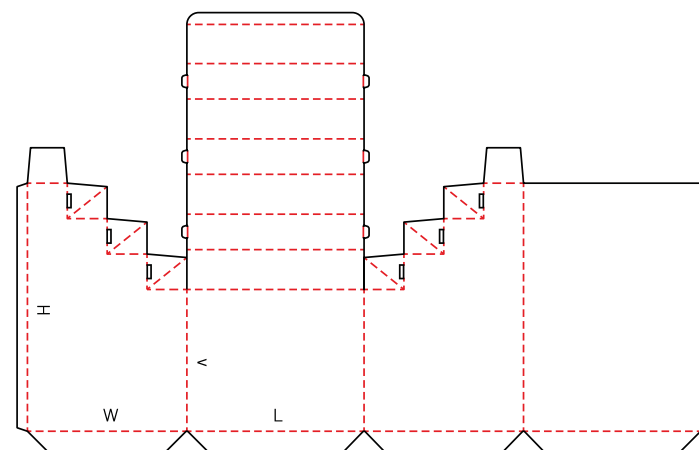
B865 M



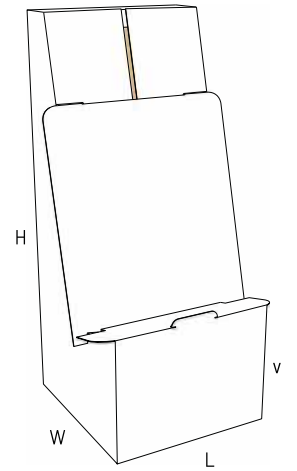
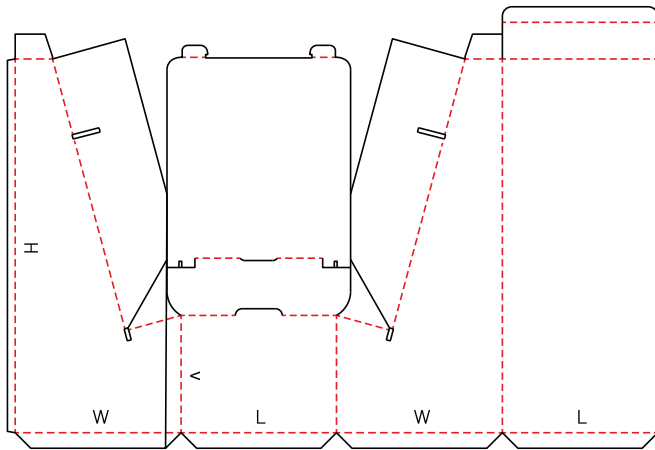
B866 M



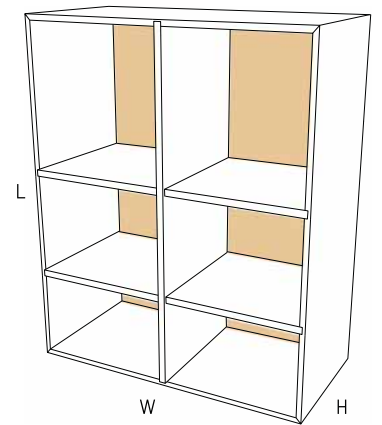
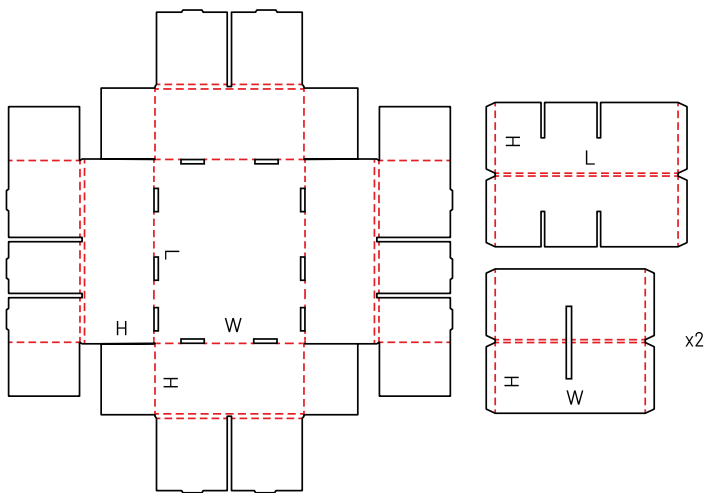
B870 M



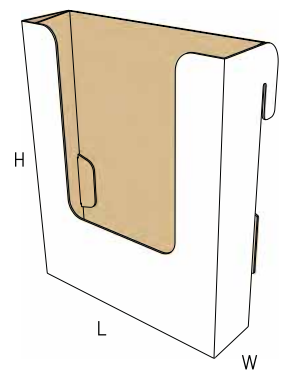
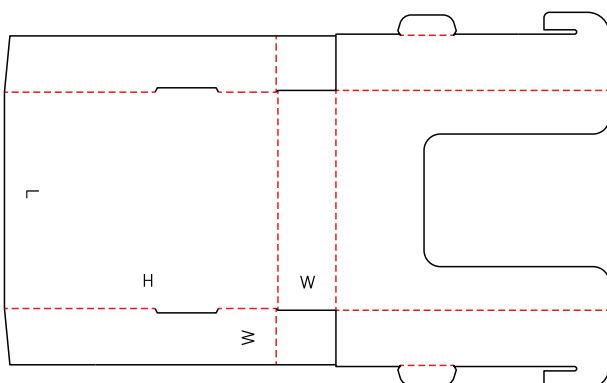
B871 M



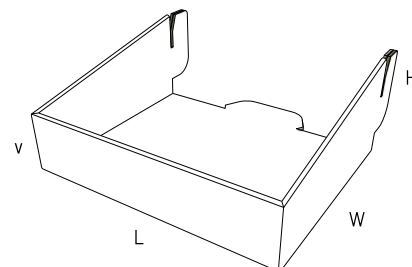
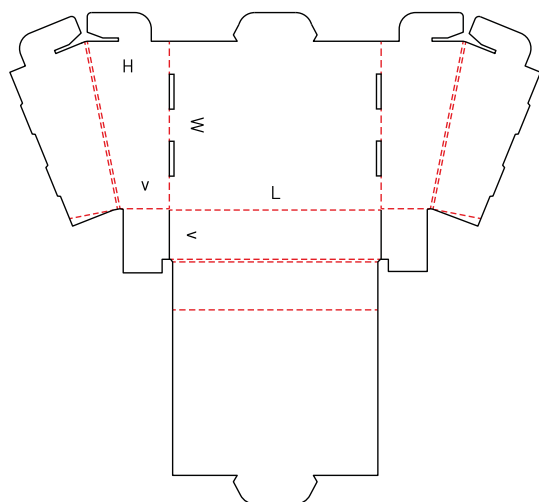
B872 M



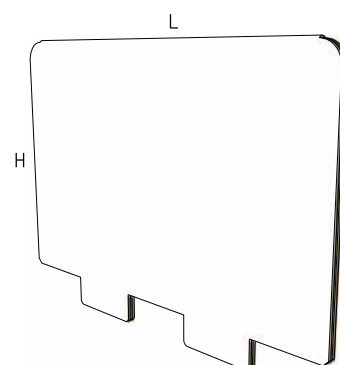
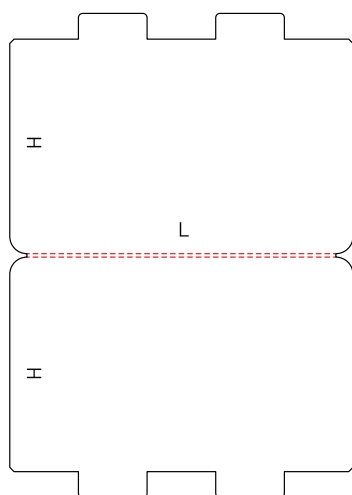
B873 M



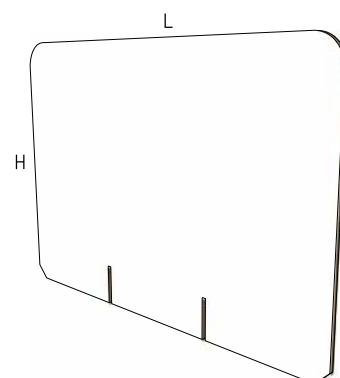
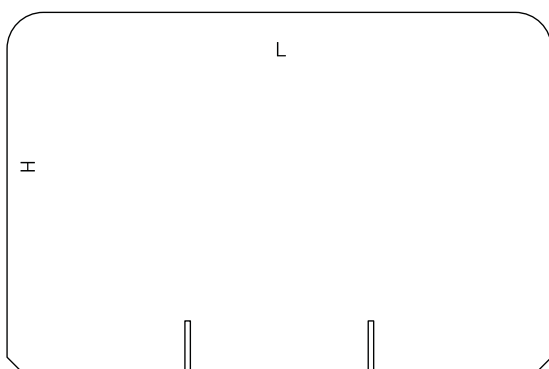
B874 M



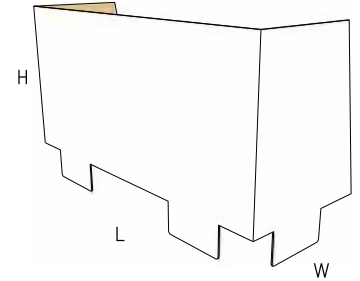
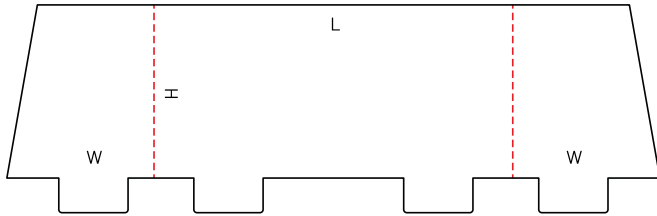
B880 M



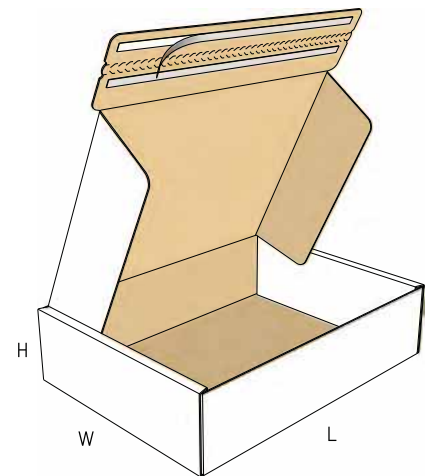
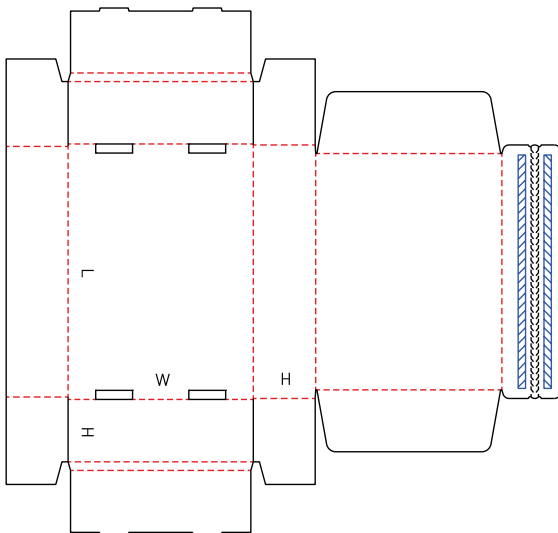
B881 M



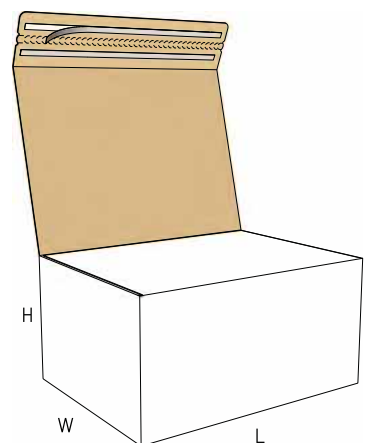
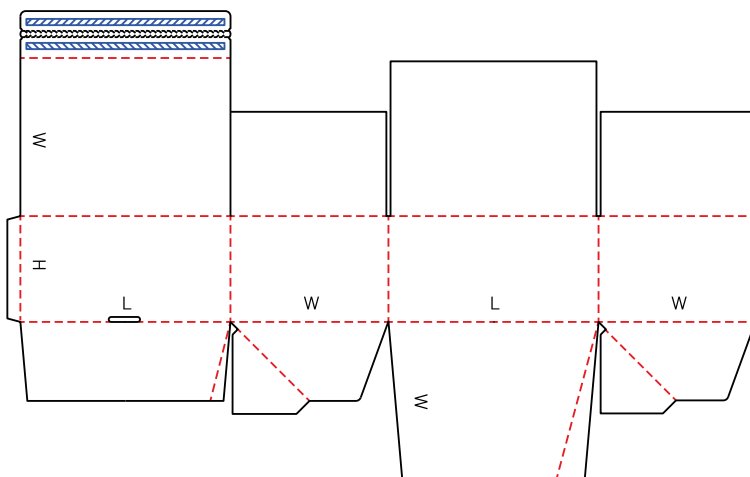
B882 M



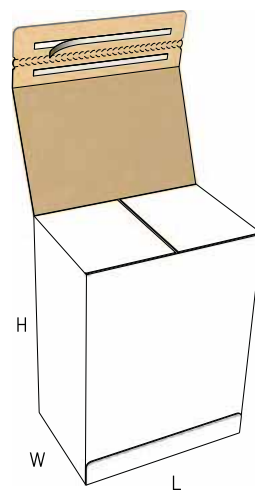
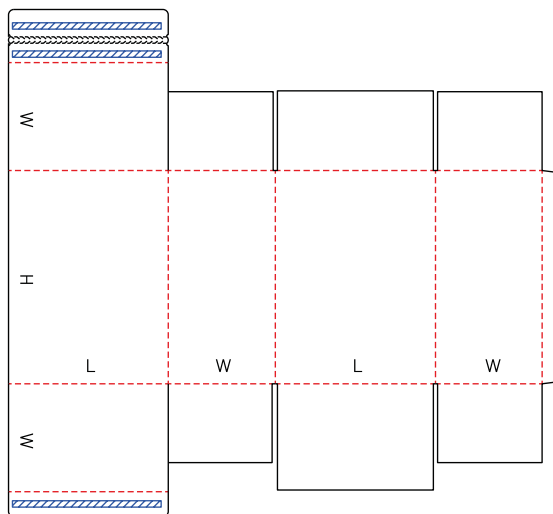
B885 M



B886 M



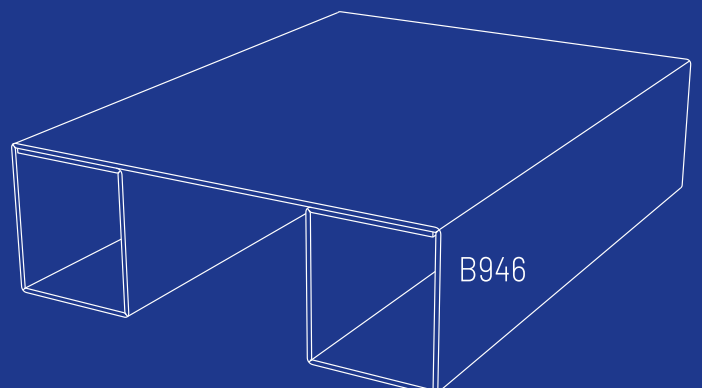
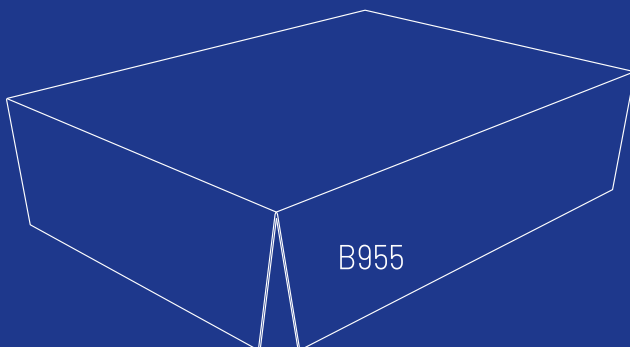
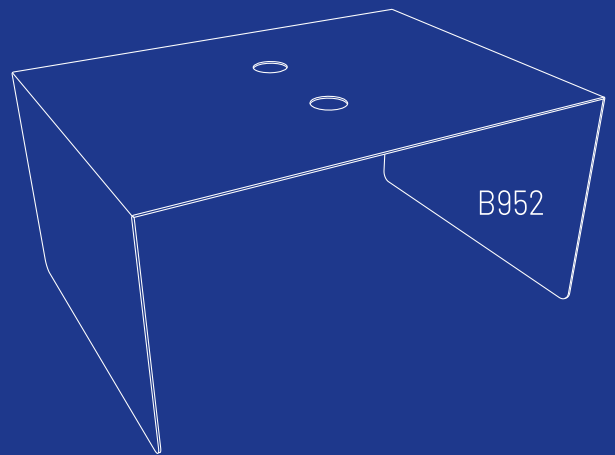
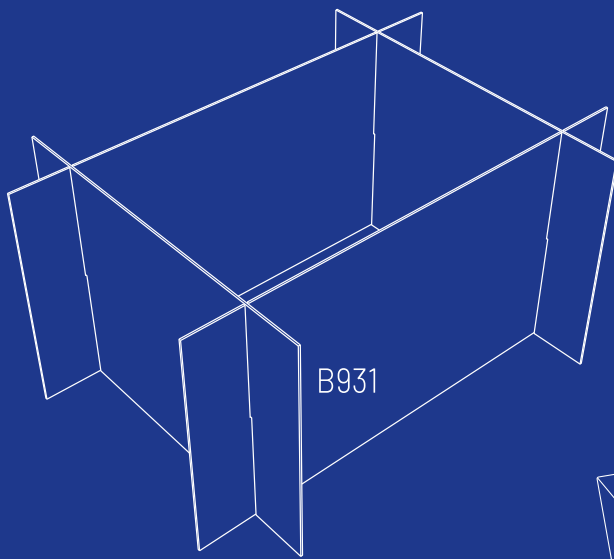
B887 M



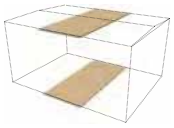
B900

INTERIOR EQUIPMENT

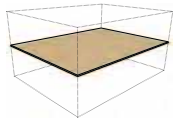
Inner liners integrated into the box design or as separate parts, pads, partitions, dividers, etc. such as interior equipment. Any shown a panel number is optional and can be increased or decreased as needed.



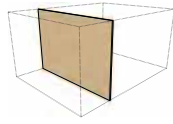
B900 M/A



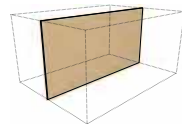
B901 M/A



B902 M/A



B903 M/A



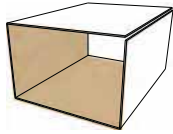
B904 M/A



B905 M/A



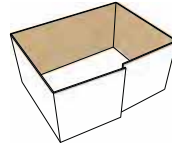
B906 M/A



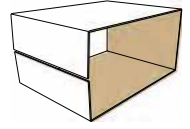
B907 M/A



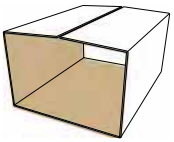
B908 M/A



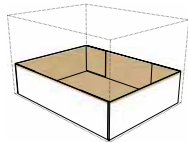
B909 M/A



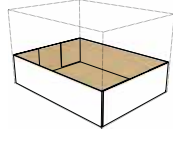
B910 M/A



B911 M/A



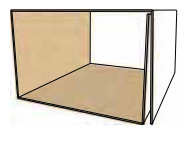
B912 M/A



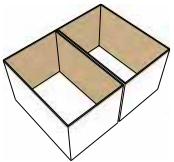
B913 M



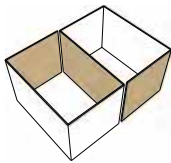
B914 M



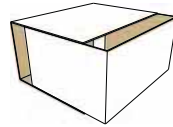
B920 M



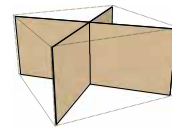
B921 M



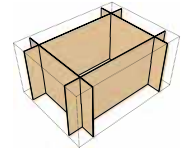
B929 M



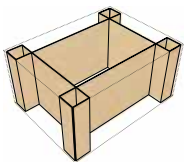
B930 M



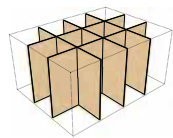
B931 M



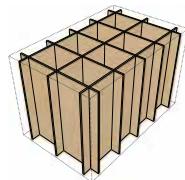
B932 M



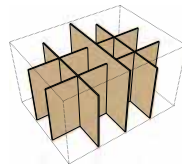
B933 M



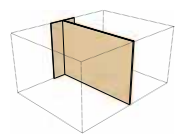
B934 M



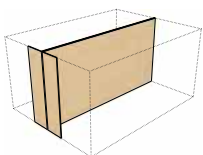
B935 M



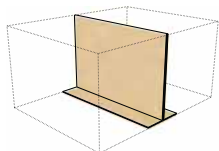
B936 M
YENİ



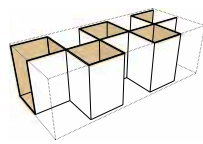
B937 M



B938 M



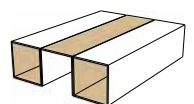
B939 M



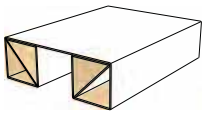
B940 M



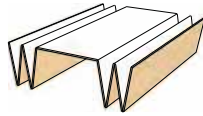
B941 M



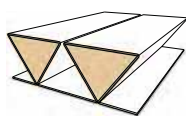
B942 M



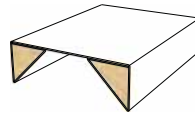
B943 M



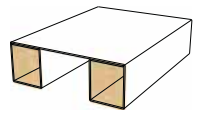
B944 M



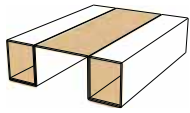
B945 M



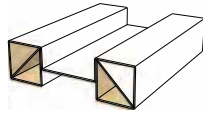
B946 M



B947 M



B948 M



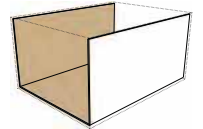
B949 M



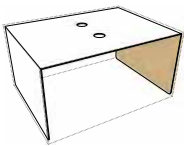
B950 M



B951 M



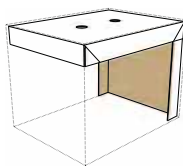
B952 M/A



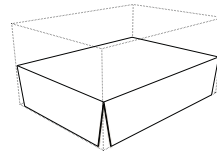
B953 M/A



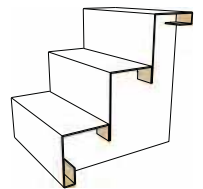
B954 M



B955 M



B960 M



B965 M



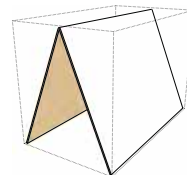
B966 M



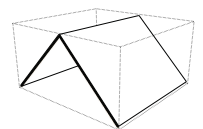
B967 M



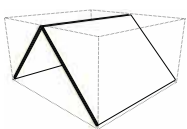
B970 M



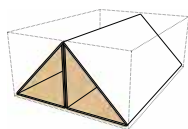
B971 M



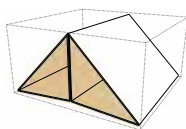
B972 M



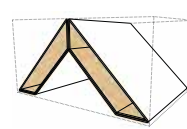
B973 M



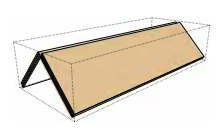
B974 M

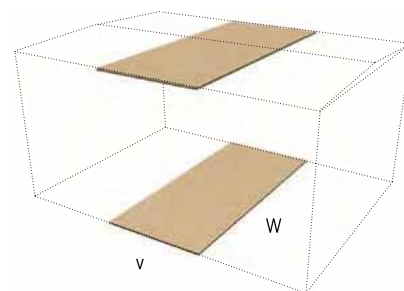
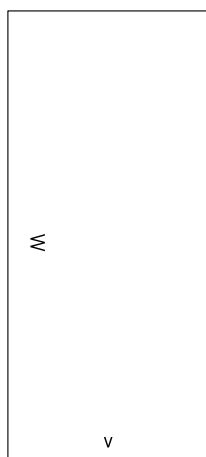
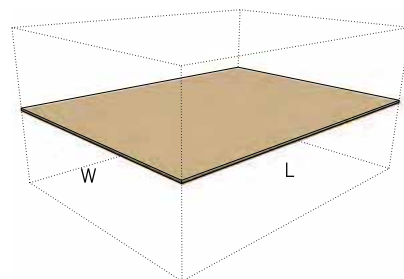
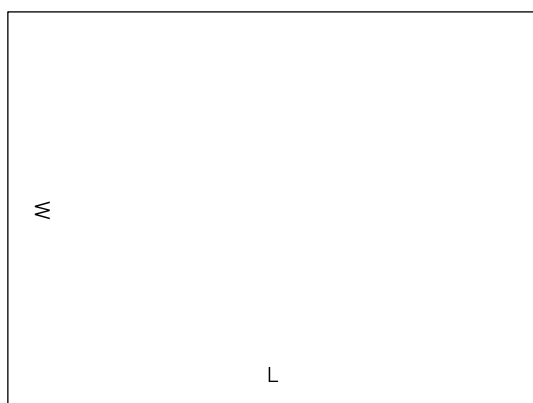
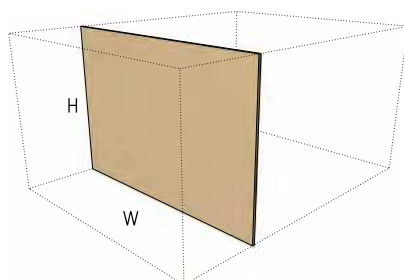
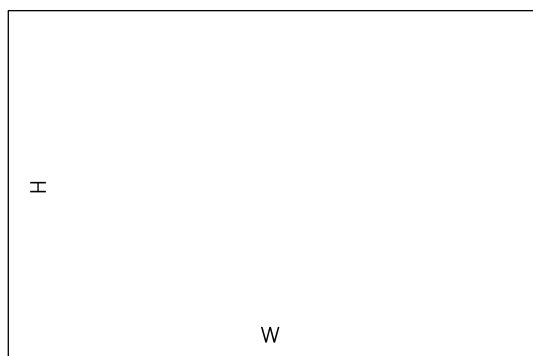


B975 M

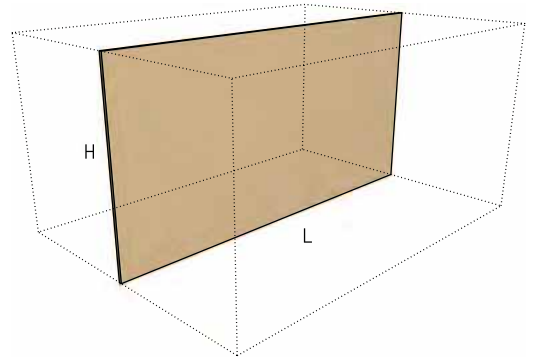
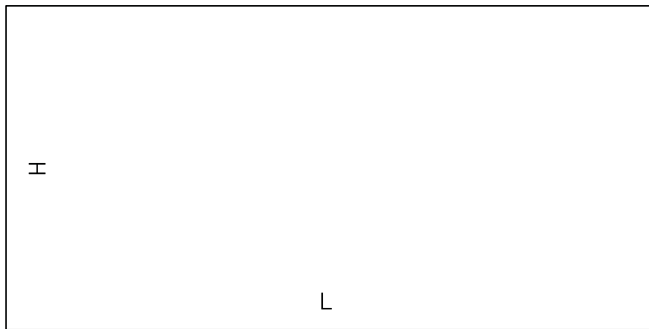


B976 M

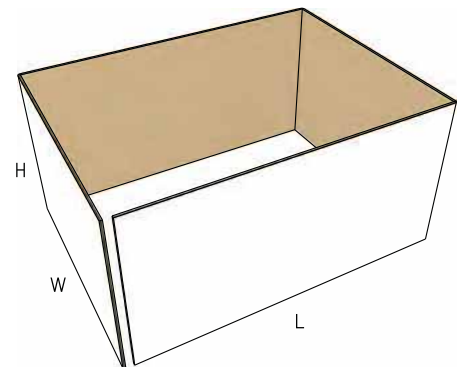


B900 M/A**B901** M/A**B902** M/A

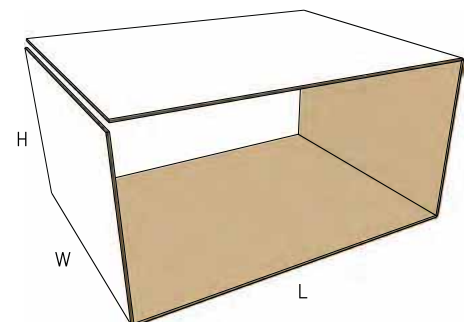
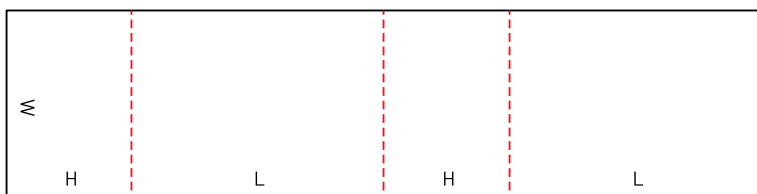
B903 M/A



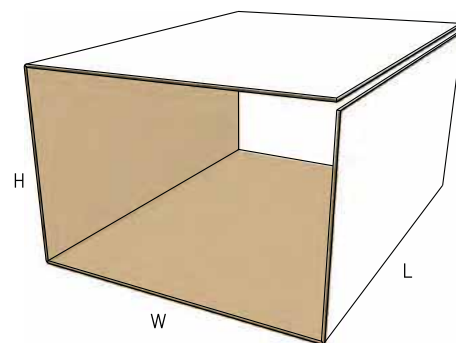
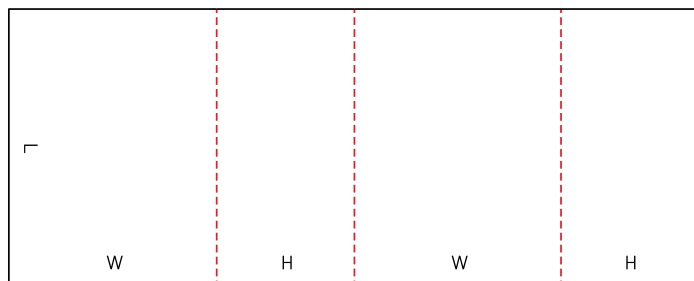
B904 M/A



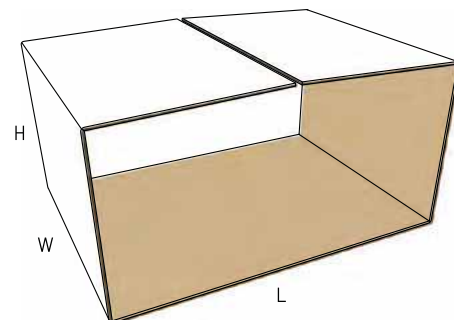
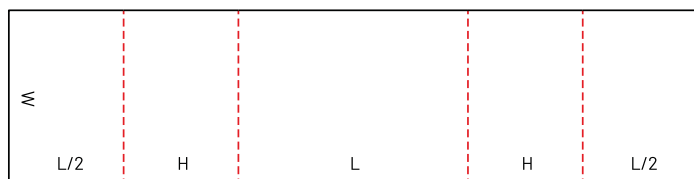
B905 M/A



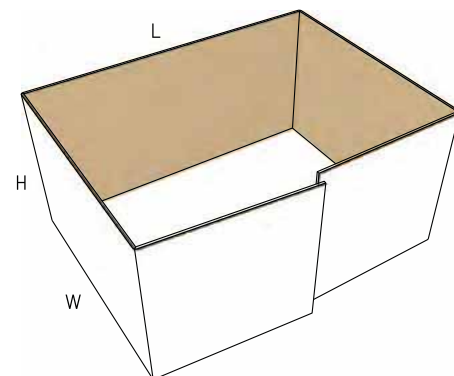
B906 M/A



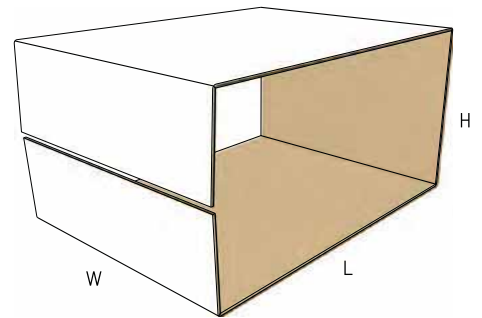
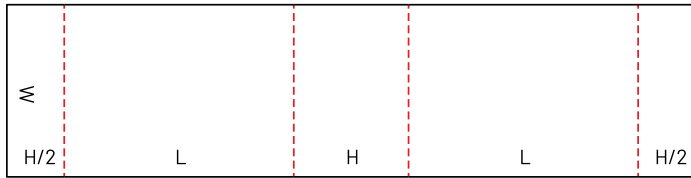
B907 M/A



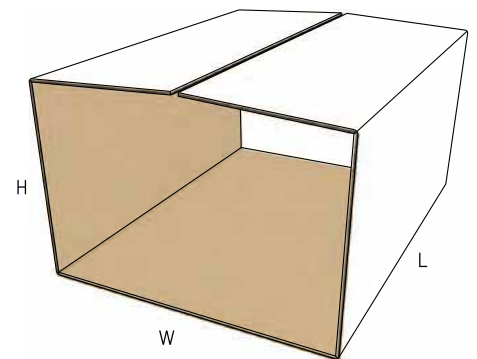
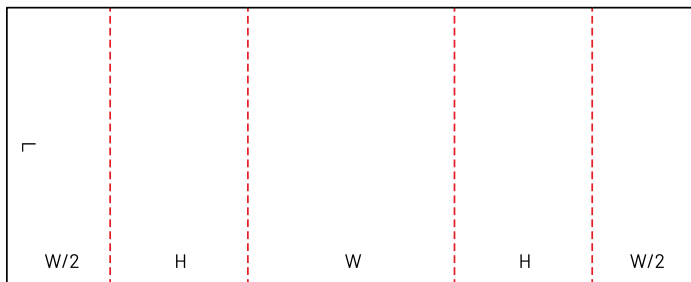
B908 M/A



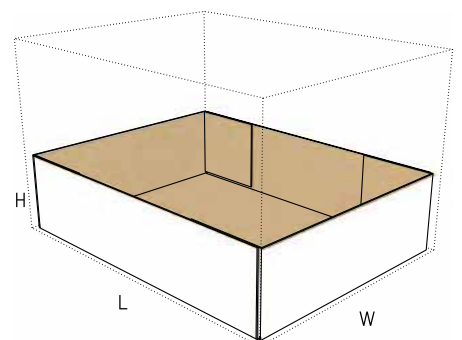
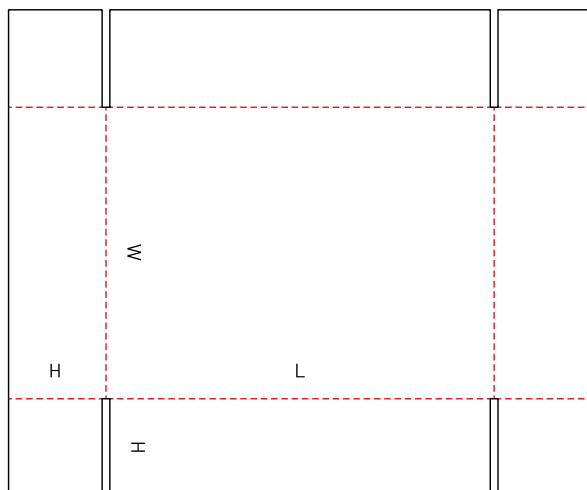
B909 M/A



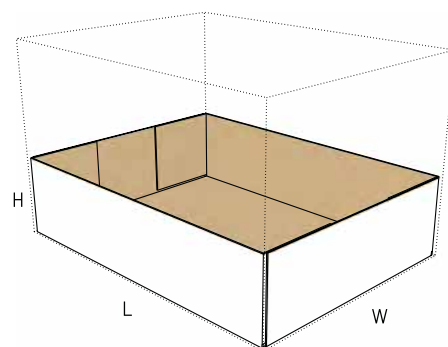
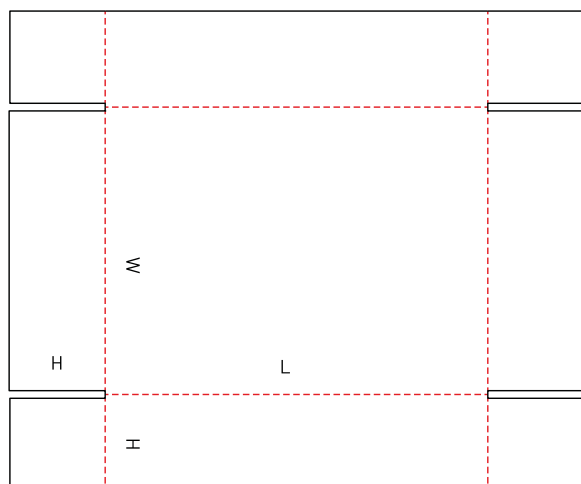
B0910 M/A



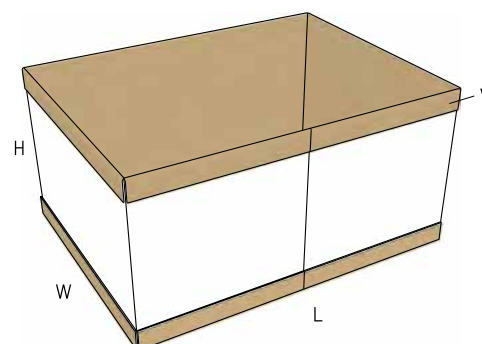
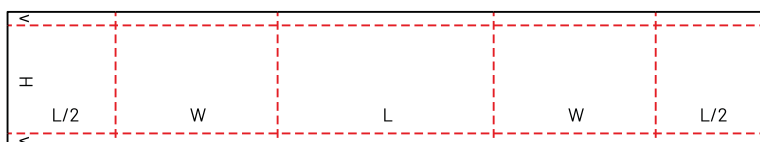
B911 M/A



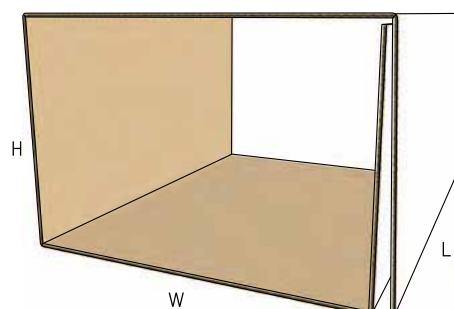
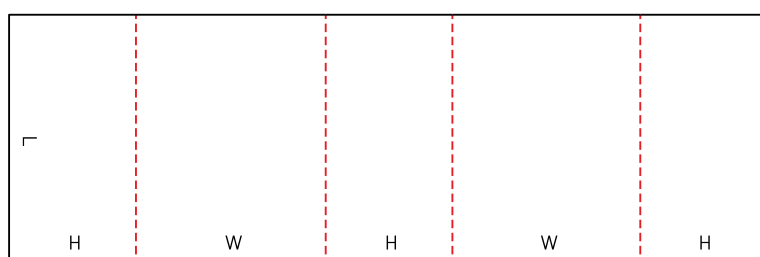
B912 M/A



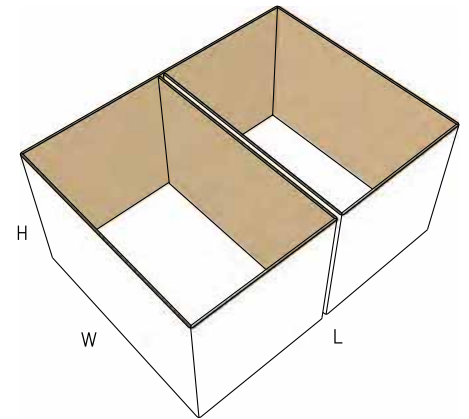
B913 M



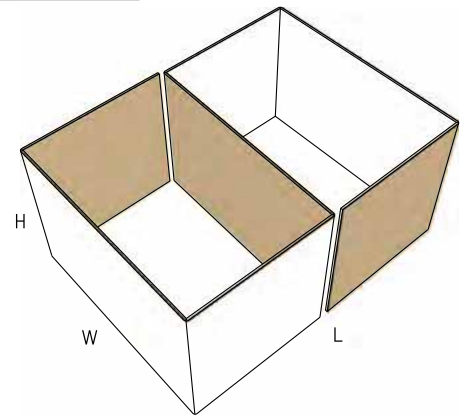
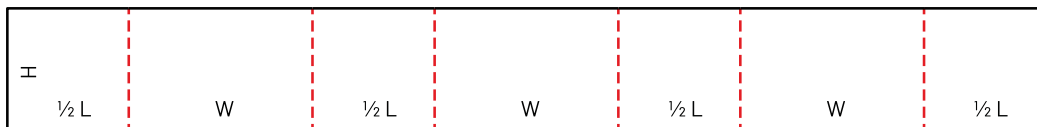
B914 M



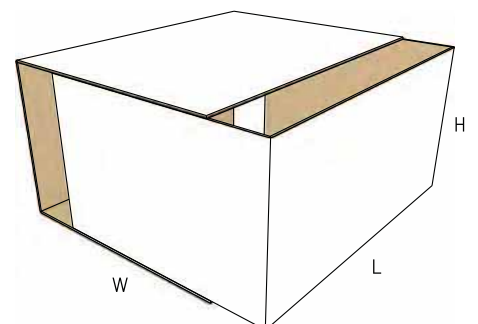
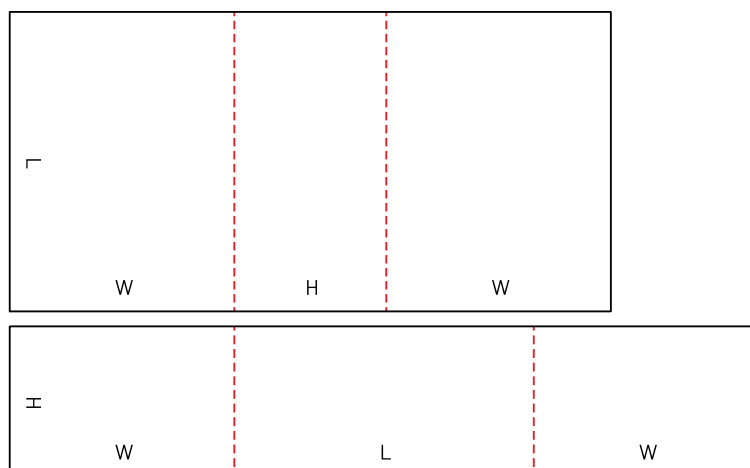
B920 M



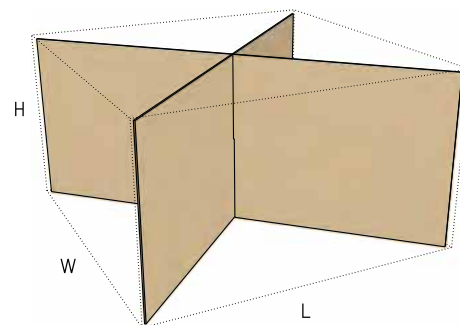
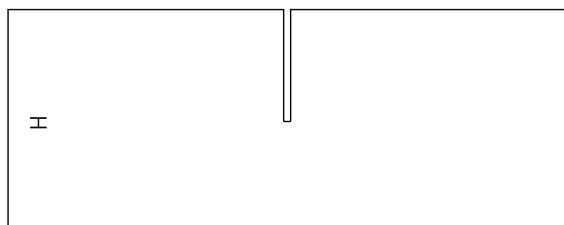
B921 M



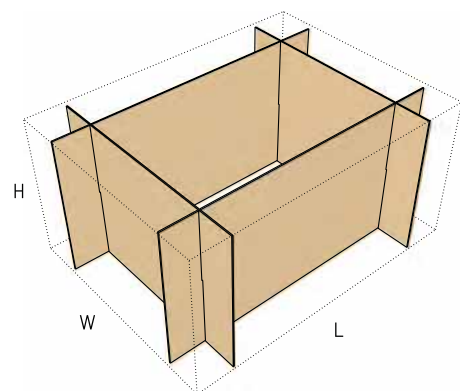
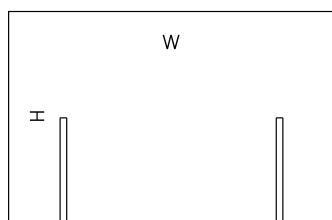
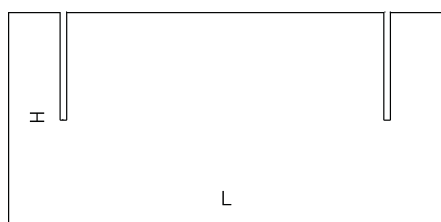
B929 M



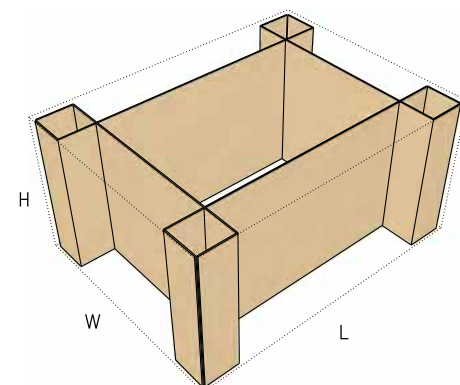
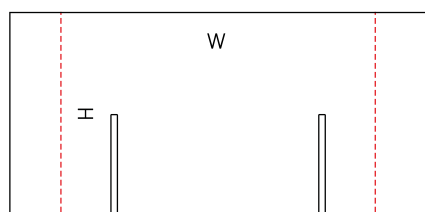
B930 M



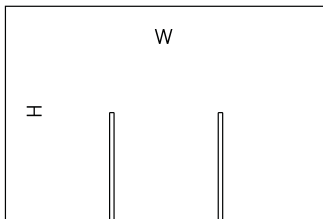
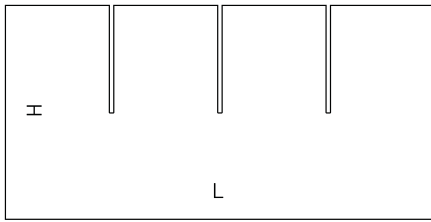
B931 M



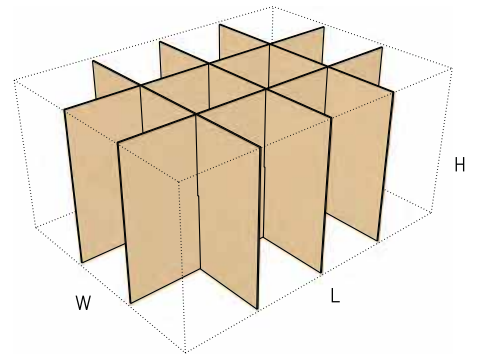
B932 M



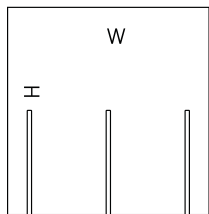
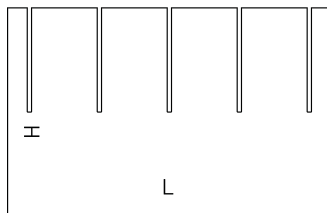
B933 M



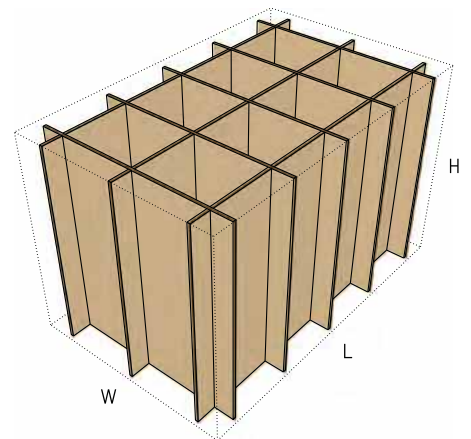
Number of cells defined by user.



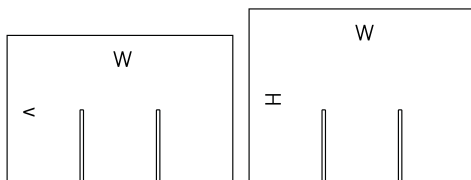
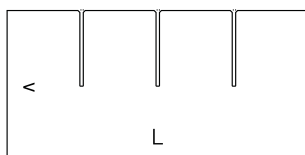
B934 M



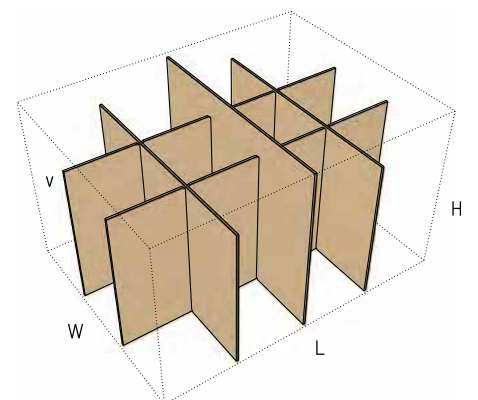
Number of cells defined by user.



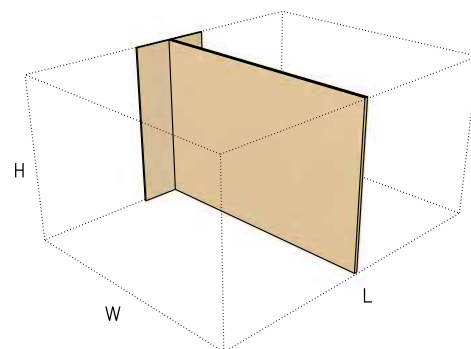
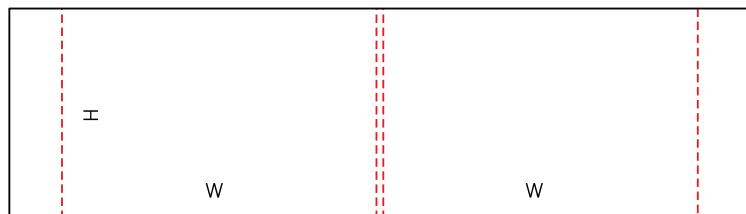
B935 M



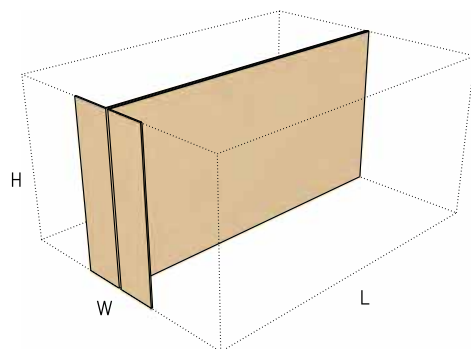
Number of cells defined by user.



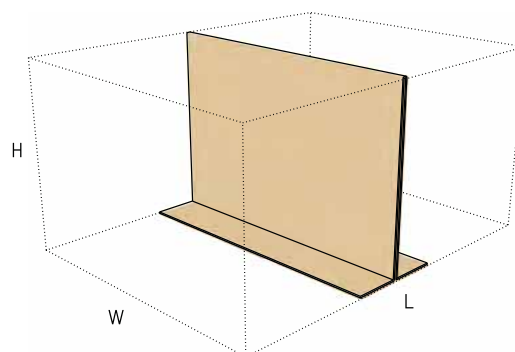
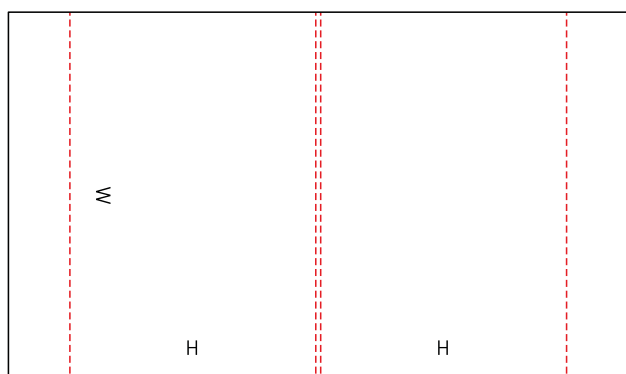
B936 M



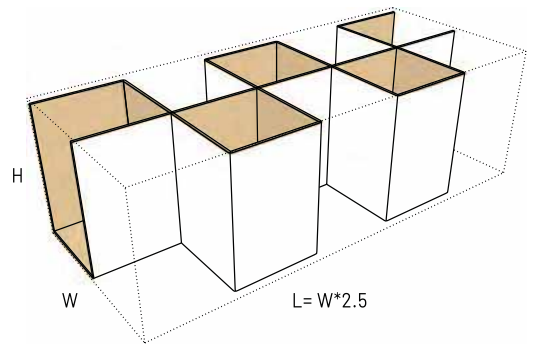
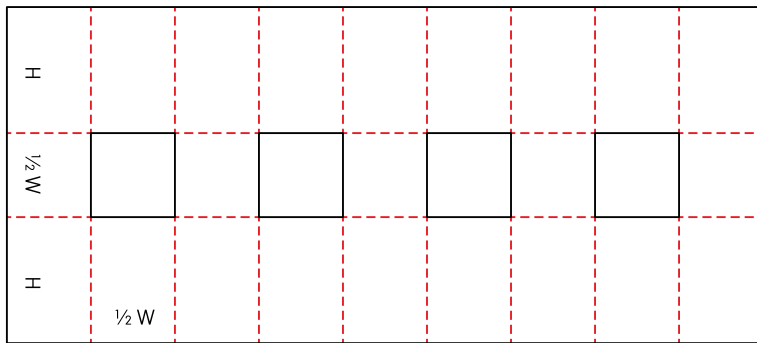
B937 M



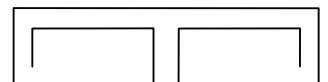
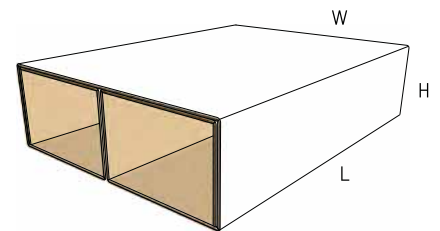
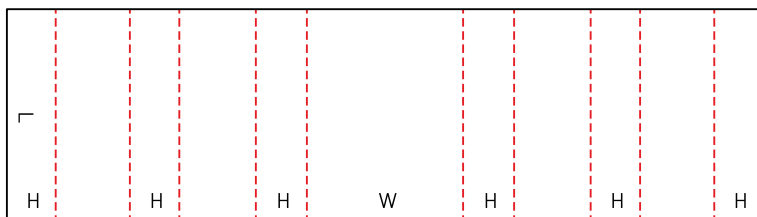
B938 M



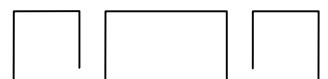
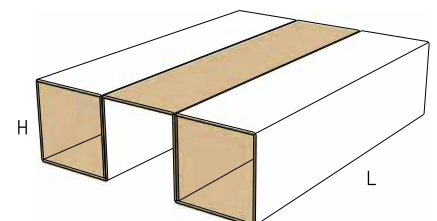
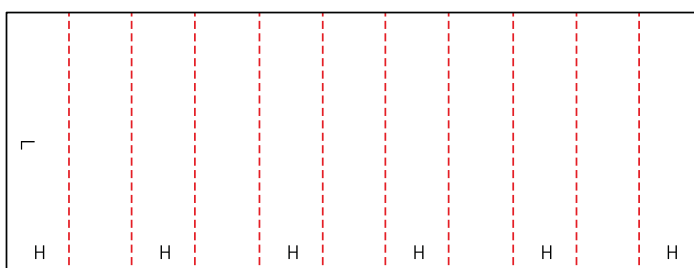
B939 M



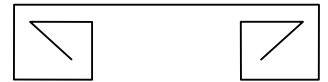
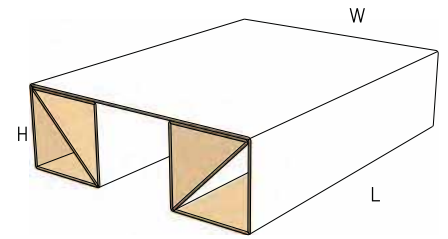
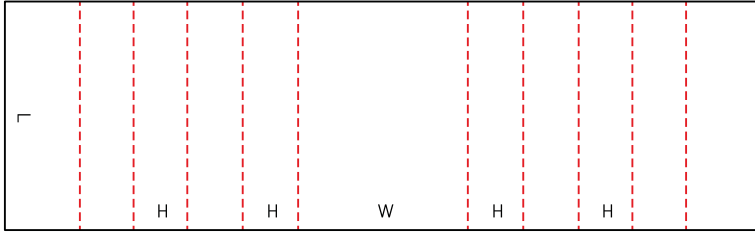
B940 M



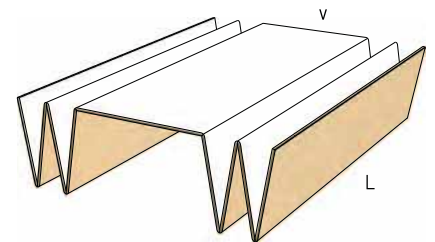
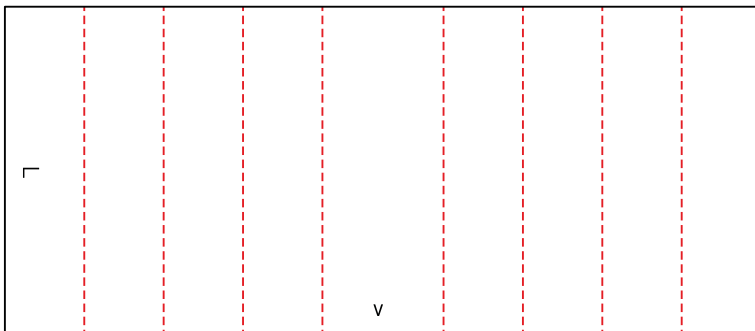
B941 M



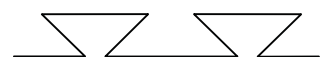
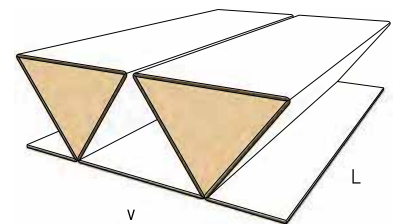
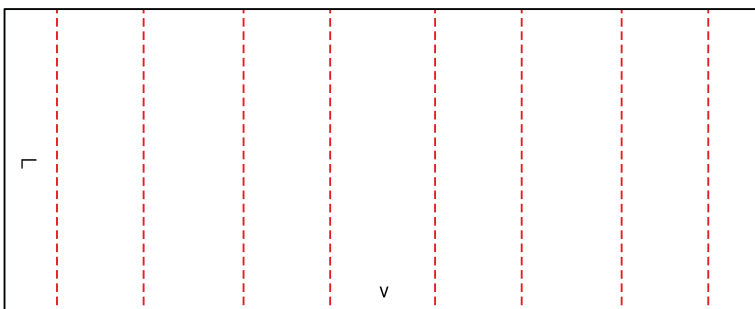
B942 M



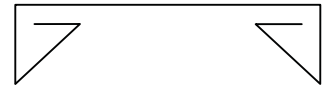
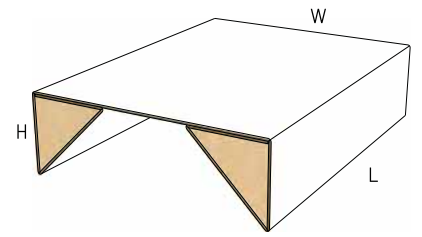
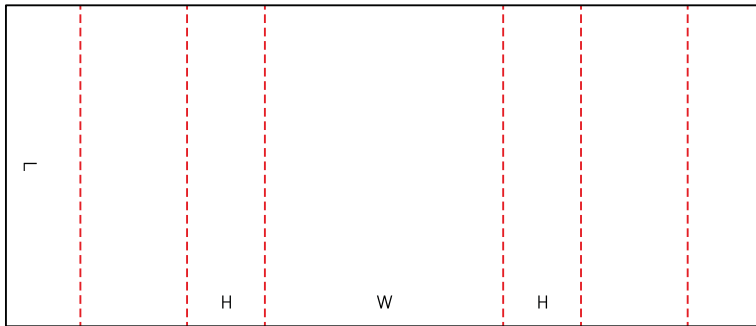
B943 M



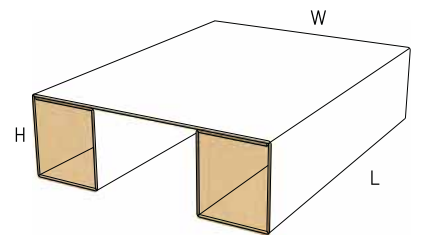
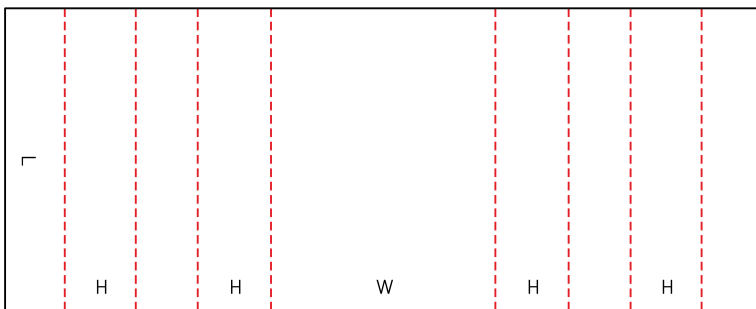
B944 M



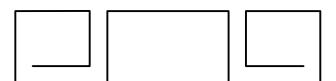
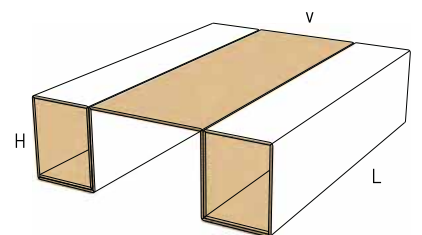
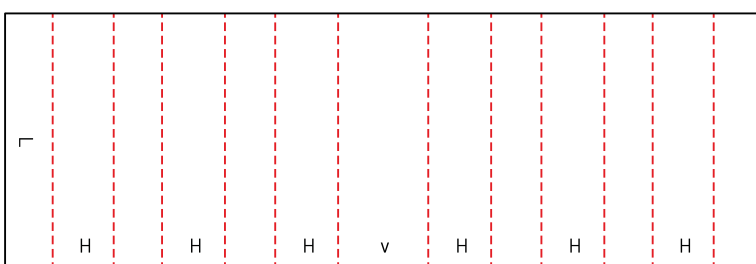
B945 M



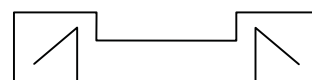
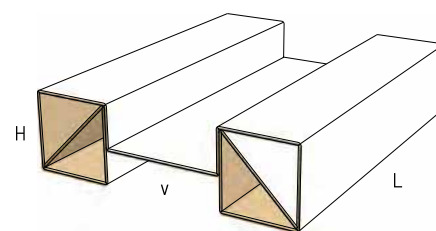
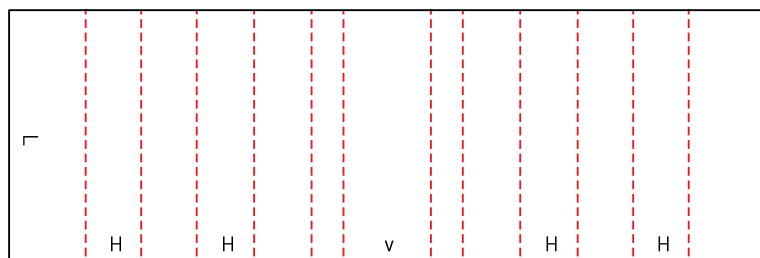
B946 M



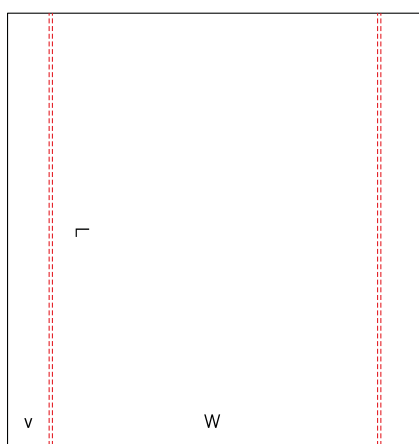
B947 M



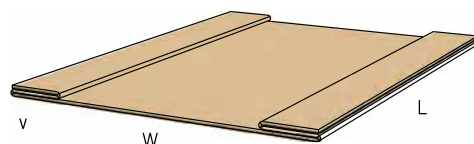
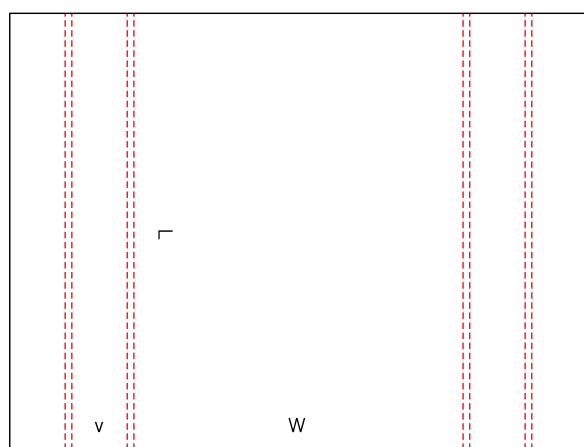
B948 M



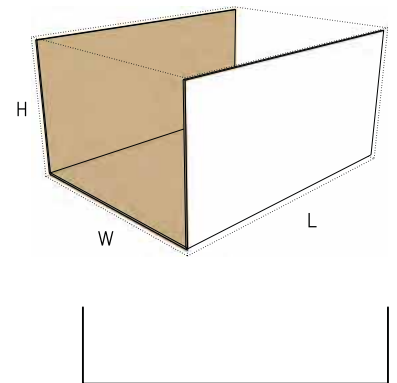
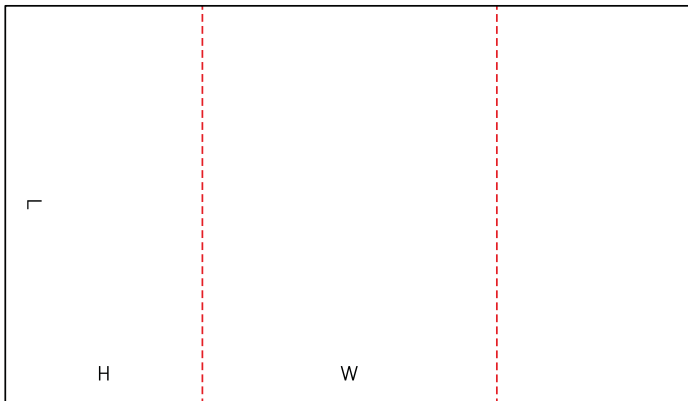
B949 M



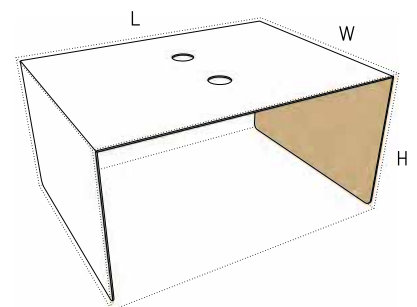
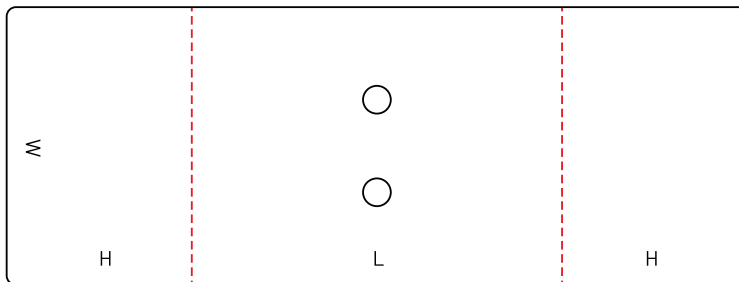
B950 M



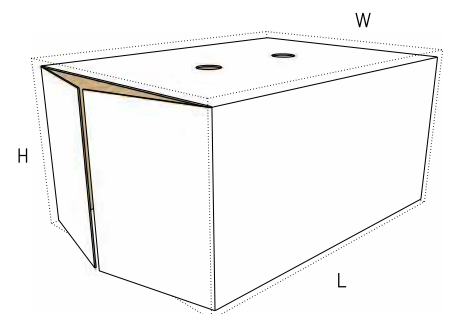
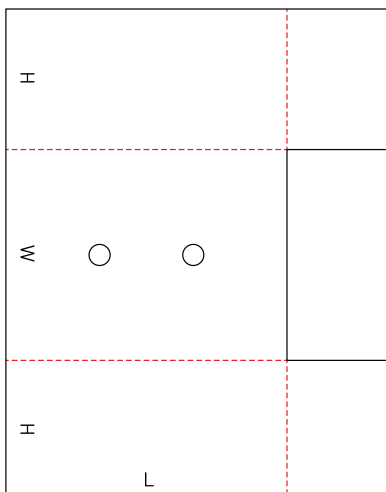
B951 M



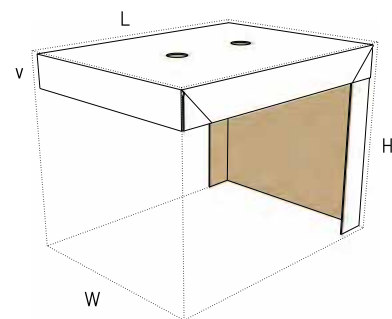
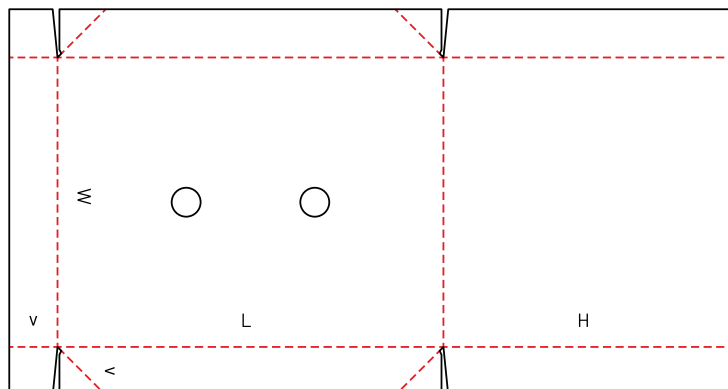
B952 M/A



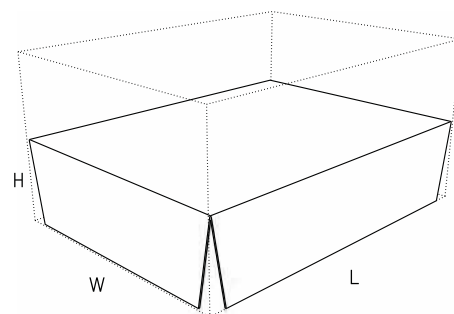
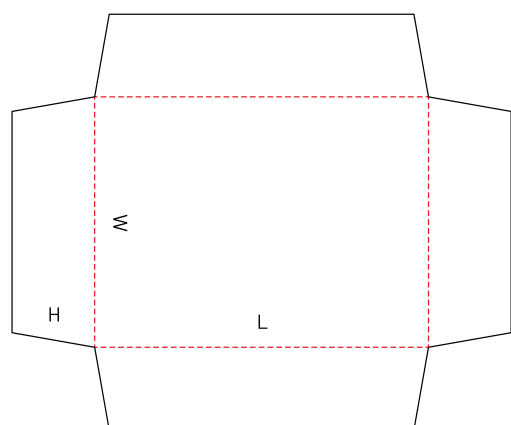
B953 M/A



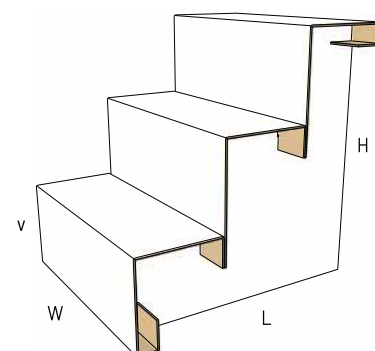
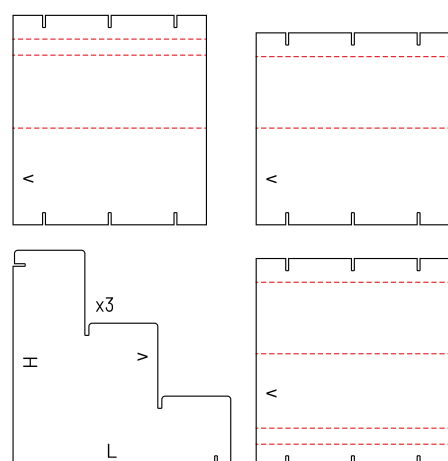
B954 M



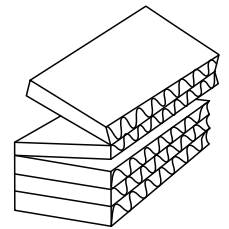
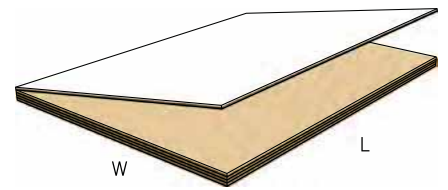
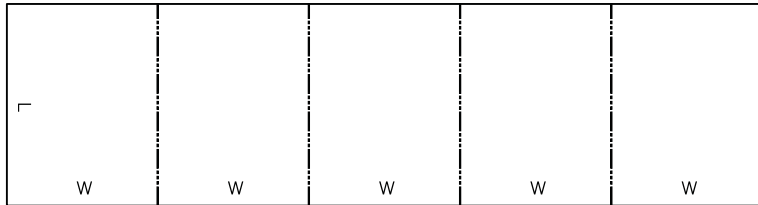
B955 M



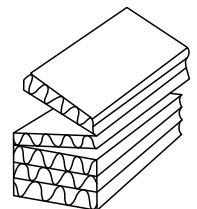
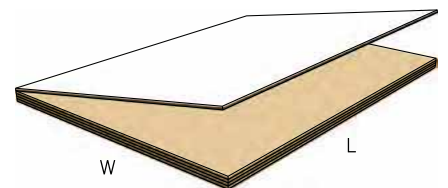
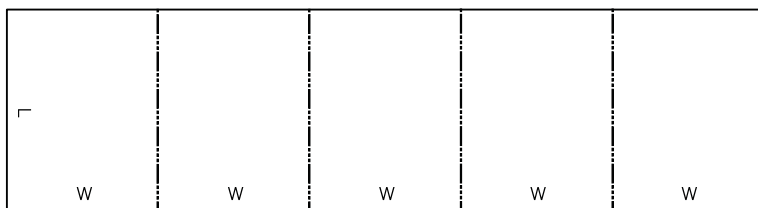
B960 M



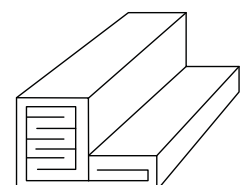
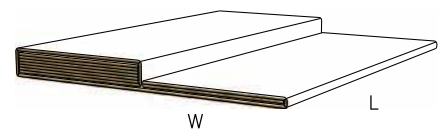
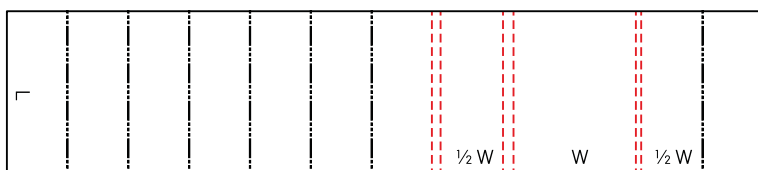
B965 M



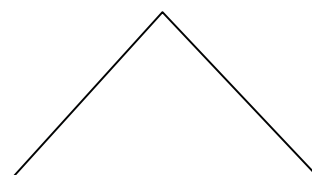
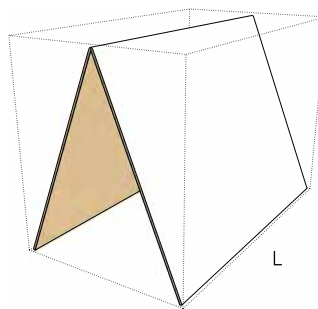
B966 M



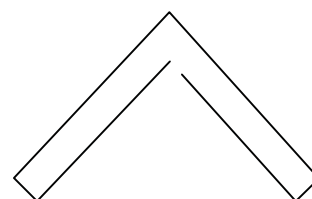
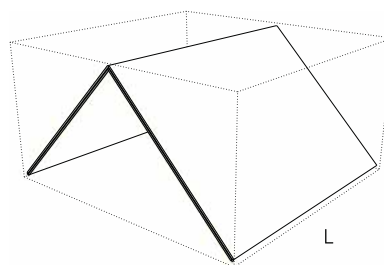
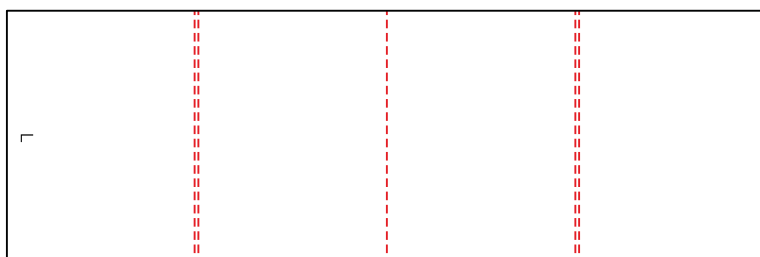
B967 M



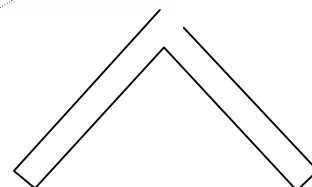
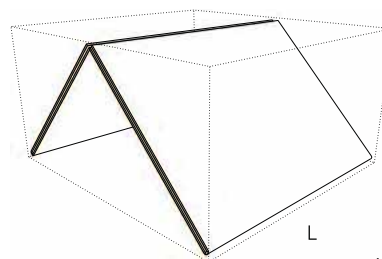
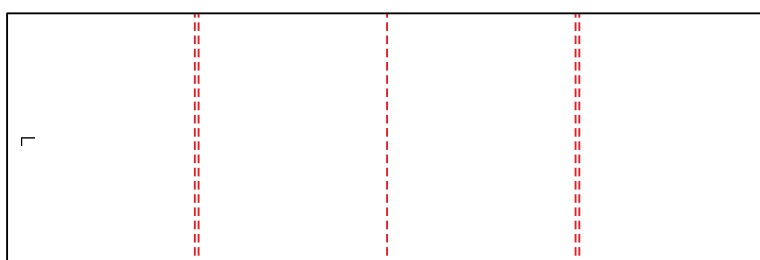
B970 M



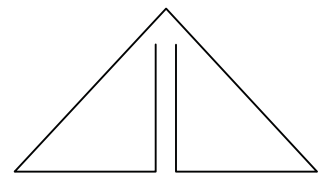
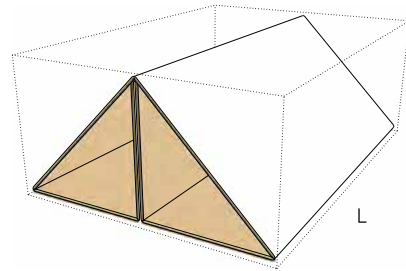
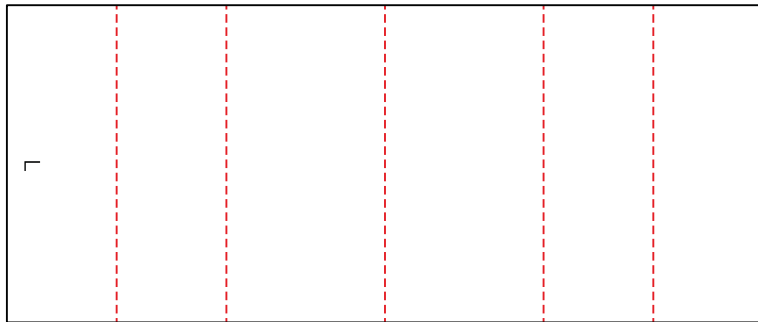
B971 M



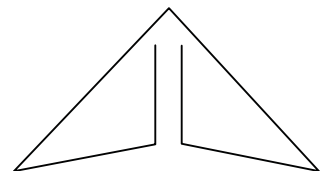
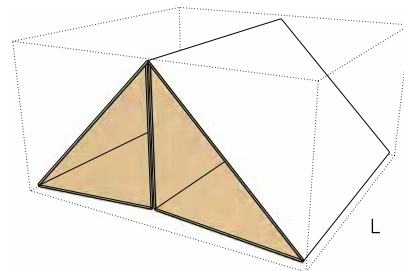
B972 M



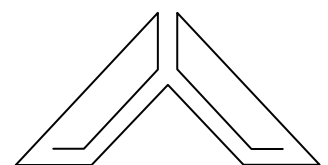
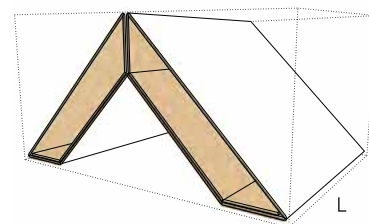
B973 M



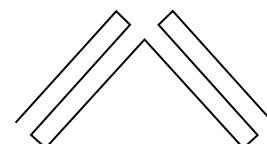
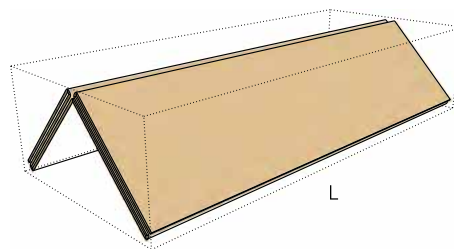
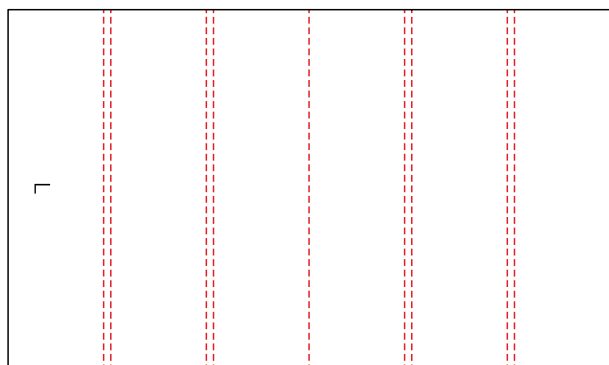
B974 M



B975 M



B976 M







Factory - Firuzköy Mh. Bağlarıçı Cd.
No:73 Avcılar - İstanbul -Türkiye
Tel : +90 212 444 89 40
Faks: +90 212 612 01 62
e-mail: info@kutucum.com
www.kutucum.com

